



**THE DATASHEET OF
10070165-00119ALF**



1

2

3

4

A

B

C

D

A

B

C

D

TECHNICAL SPECIFICATIONS

INSULATOR : Self extinguishing Thermoplastics-UL CLASS 94 V0
 CONTACTS : Copper alloy with GOLD over NICKEL
 SHELLS : Steel with Nickel Plated

CONTACT ACTIVE ZONE : GOLD over Nickel
 (200 matings)

TERMINATION ZONE : TIN over Nickel

Current Rating : 48V/24A for Power contact
 0.375 A for signal contact

Test Voltage : 1000V
 Contact Resistance : For Power contacts- $\leq 10\text{m}\Omega$
 For Signal contacts - $\leq 25\text{m}\Omega$

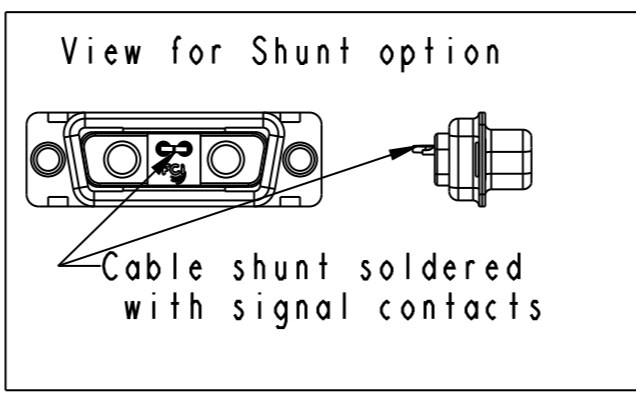
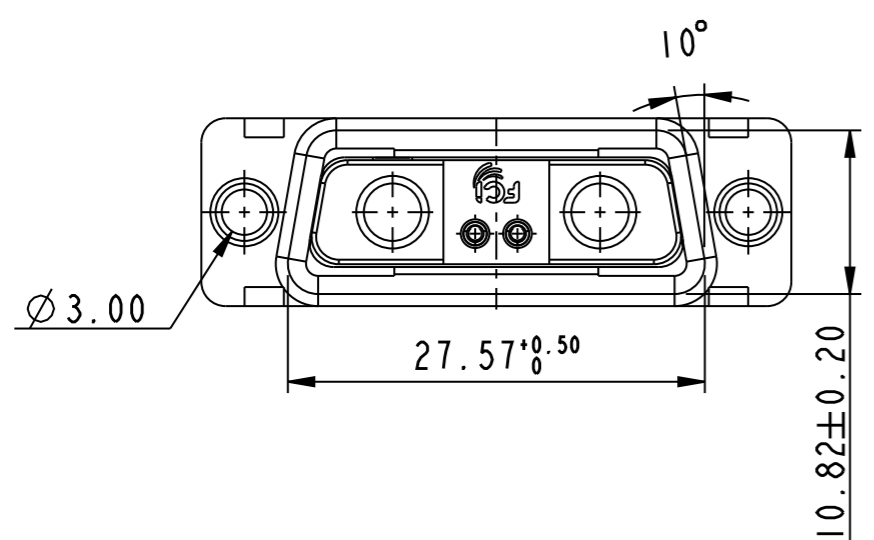
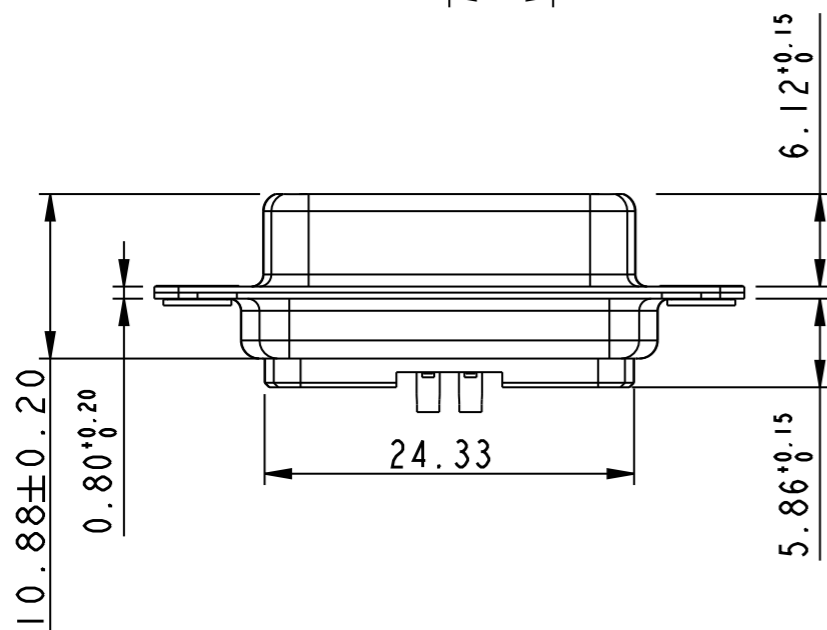
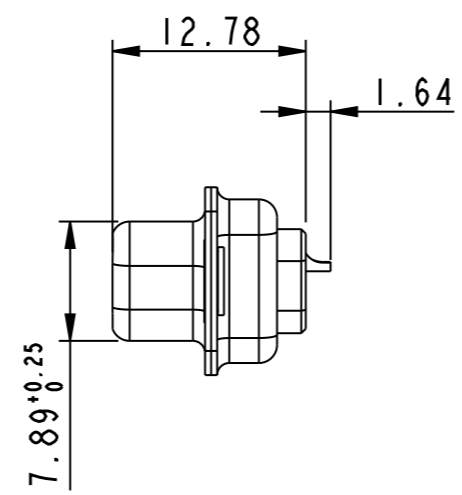
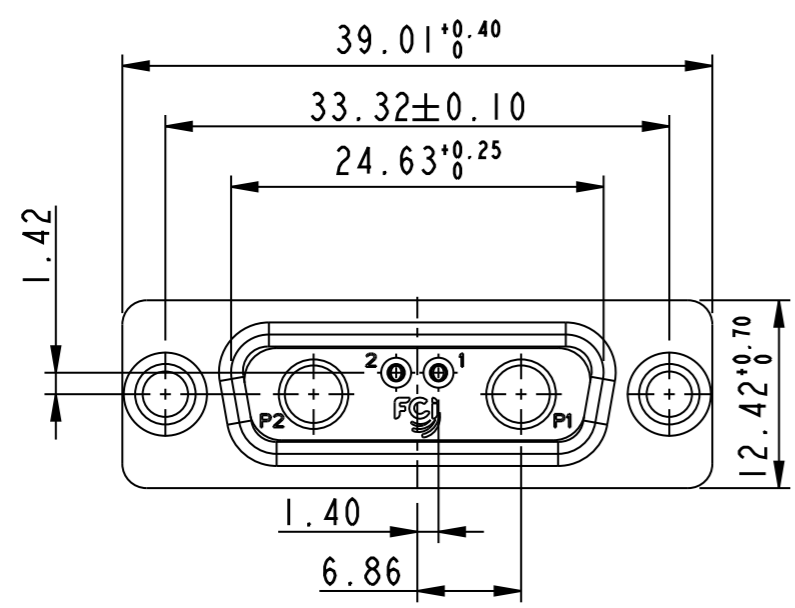
Insulation Resistance : 5000M Ohm

Operating temperature : 70°C+30°C Temperature rise
 Mechanical Endurance : 200 matings
 Damp Heat : 21 days
 Wire Size : Power -8AWG
 Signal - AWG 20/24

Contacts : Power contacts -Solder/Crimp
 : Signal contacts - Solder

Max.Dia of wire : 1.52mm (AWG 20/24),

Connector is FMLB Compatible



ORDERING INFORMATION

10070165-001 19 A LF

001- Without Shunt

A-No ACCESSORY

002- With Shunt



Copyright FCI.

"This Product Meets European union directives & other country regulations as described in GS-22-008"

Packing as per GS 14-1104

| rev | ecn no | dr | date |
|-----|----------|-----|------------|
| A | 107-0051 | NG | 2007-07-17 |
| B | 111-0177 | RPK | 2011-10-24 |
| - | - | - | - |
| - | - | - | - |
| - | - | - | - |
| - | - | - | - |

| | | | | | |
|---------------------------------------|-------------|--|--------------------------------|-----------------|--------------|
| www.fci.com | | surface - <input checked="" type="checkbox"/> ISO 1302 | tolerance std ISO 406 ISO 1101 | projection | mm |
| TOLERANCES UNLESS OTHERWISE SPECIFIED | | | | | |
| Dr | SINESH | 2007-01-10 | ANGULAR | 0.X ±.3 | size A3 |
| Eng | NIRMAL G | 2007-12-05 | LINEAR | 0.XX ±.10 | Scale 1:1 |
| Chr | NIRMAL.G | 2007-12-05 | 0° ±2° | 0.XXX ±.050 | ECN 111-0177 |
| Appr | BIJU.K.PAUL | 2007-12-06 | Product family | -D-SUB | Spec ref |
| FCI | | FEMALE CABLE CONNECTOR-48V | | dwg no 10070165 | Rev. B |
| | | MicroTCA Power I/O Connector | | CUSTOMER | sheet 1 of 1 |
| | | catalog no | | | |

REV F - 2006-04-17

1

2

3

FDM: Rev:B

STATUS: Released

Printed: Nov 16, 2011

Looking for pricing, stock, or lifecycle information?

Click below to explore more details on WIN SOURCE:

 [View 10070165-00119ALF on WIN SOURCE](#)

 [Amphenol Information](#)

Optimize Your Supply Chain with WIN SOURCE Solutions

-  Global Sourcing Solution
-  Obsolete Management
-  Cost Control Management
-  Shortage Management
-  Alternative Solution
-  Excess Inventory Management