



**THE DATASHEET OF
43WR100KLFTR**



Multi-Turn Trimmer

Model 43



Features:

- 3 mm
- Sealed surface mount
- RoHS compliant



Model Styles Available

J hook surface mount

43W

Electrical

Resistance Range	10 Ohm to 2 Megohms
Standard Resistance Tolerance	± 20%
Input Voltage, Maximum	200 Vdc or rms, not to exceed power rating
Power rating, Watts	0.125 @ 70°C, derating to 0 @ 150°C
End Resistance, Maximum	1% or 3 Ohms, whichever is greater
Actual Electrical Travel, Nominal	11 turns
Dielectric Strength	600 V AC
Insulation Resistance, Minimum	100 Megohms
Resolution	Essentially infinite
Contact Resistance Variation, Maximum	3% or 3 Ohms, whichever is greater
Temperature Coefficient of Resistance	±100 ppm/°C

Mechanical

Mechanical Stop	Wiper idles
Torque, Maximum	2.5 in. oz.
Weight, Approx.	0.01 oz.
Wiper Position	Approx. 50%

General Note
TT Electronics reserves the right to make changes in product specification without notice or liability. All information is subject to TT Electronics' own data and is considered accurate at time of going to print.

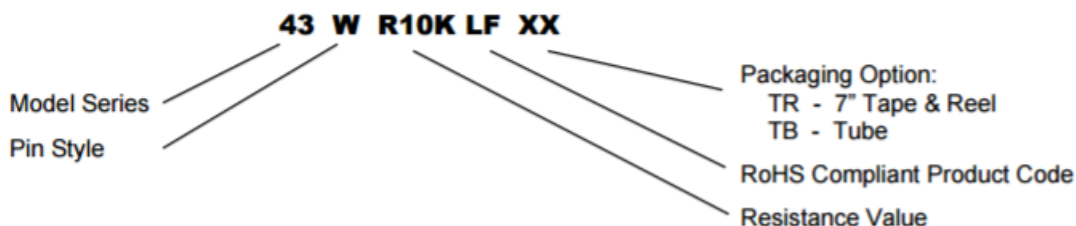
© TT electronics plc

TT Electronics | BI Technologies
413 Rood RD, Suite 7
Calexico, CA 92231
Ph: + 1 (714) 447-2345
www.ttelectronics.com/bi-technologies
Issue B 04/2019 Page 1

Environmental

Seal	85°C Fluorinert®
Operating Temperature Range	-65°C to +150°C
Thermal Shock, 5 cycles, -55°C to +125°C	2% ΔR, 2% ΔV Ratio max.
Moisture Resistance, Ten 24 Hour Cycles	3% ΔR
Shock, 6 ms Sawtooth 100G's	1% ΔR, 1% ΔV Ratio max.
Vibration, 20G's to 2000 Hz	1% ΔR, 1% ΔV Ratio max.
High Temperature Exposure, 250 Hours @ 125°C	2% ΔR, 2% ΔV Ratio max.
Rotational Life, 200 Cycles	3% ΔR
Load Life, 0.125W, 1000 Hours, 70°C	4% ΔR or 4 ohms which ever is greatest, 2% ΔV Ratio max.
Resistance to Solder Heat	260°C for 5 sec.

Ordering Information



Packaging Information

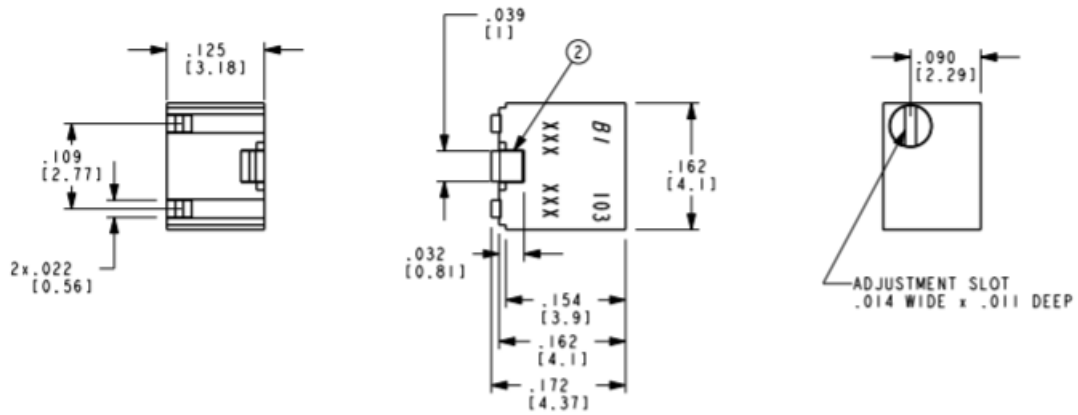
Tape & Reel	
Tape Width	12 mm
Sprocket Pitch	4 mm
Reel Diameter	7 inches
Quantity per Reel	500 units
Tubes	
Anti-Static Tubes, all units oriented with #1 pin to the same side	50 units per tube

Standard Resistance Values, Ohms

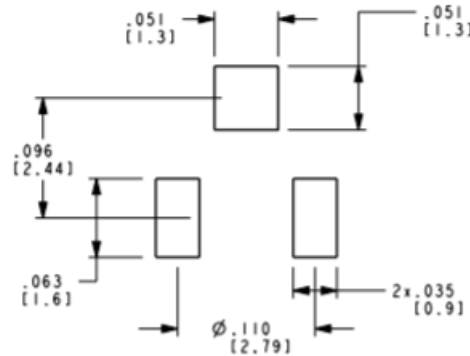
10	100	1K	10K	100K	1 Meg
20	200	2K	20K	200K	2 Meg
50	500	5K	50K	500K	

Outline Drawings

Model 43W

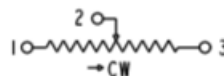


RECOMMENDED PCB LAYOUT (INCH/mm)



DIMENSIONS ARE : INCHES (mm)
TOLERANCES : ±.010 (.25) EXCEPT WHERE NOTED

Circuit Diagram



General Note

TT Electronics reserves the right to make changes in product specification without notice or liability. All information is subject to TT Electronics' own data and is considered accurate at time of going to print.

Looking for pricing, stock, or lifecycle information?

Click below to explore more details on WIN SOURCE:

 [View 43WR100KLFTR on WIN SOURCE](#)

 [TT Electronics](#) Information

Optimize Your Supply Chain with WIN SOURCE Solutions

-  Global Sourcing Solution
-  Obsolete Management
-  Cost Control Management
-  Shortage Management
-  Alternative Solution
-  Excess Inventory Management