



**THE DATASHEET OF
200AWMSP1T2A1VS2RE**



SERIES 200A SWITCHES

TOGGLE SWITCHES - PROCESS SEALED SUB-MINIATURE

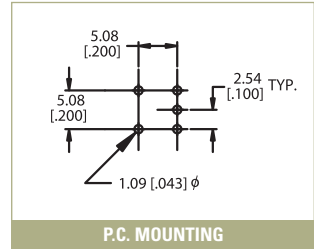
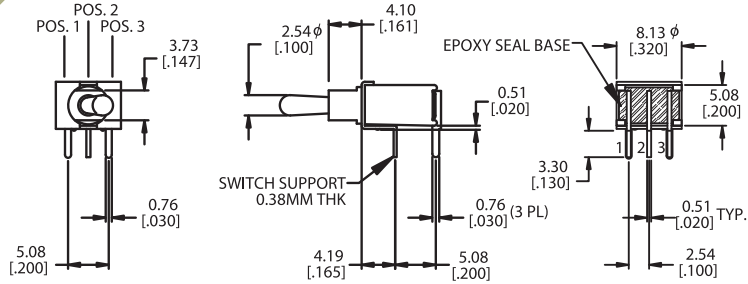
TACT SWITCHES

NAVIGATION SWITCHES

PUSHBUTTON SWITCHES

M6

SPDT



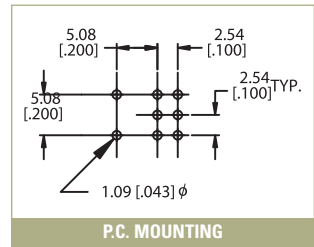
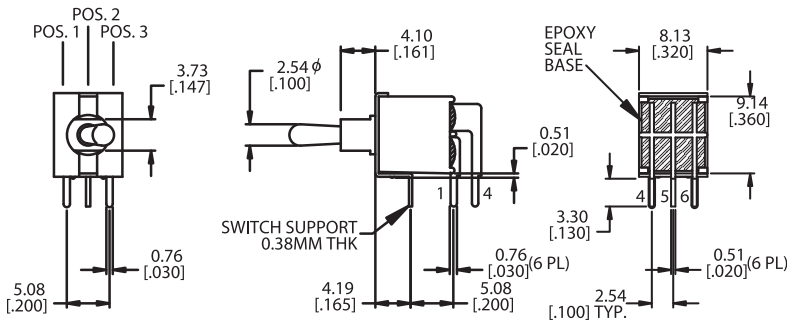
TOGGLE SWITCHES

ROCKER SWITCHES

SLIDE SWITCHES

M6

DPDT



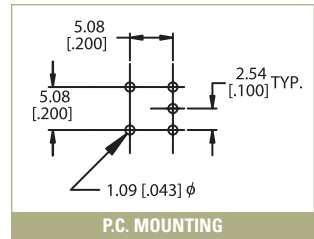
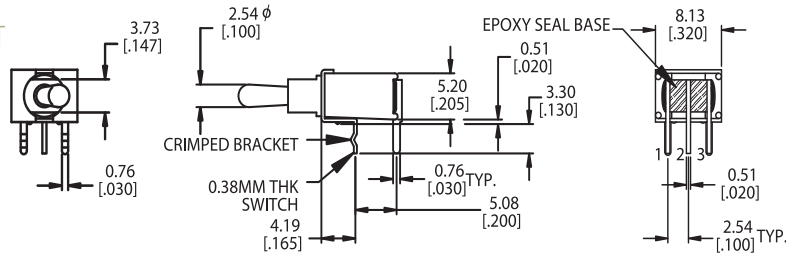
SNAP-ACTION SWITCHES

DIP SWITCHES

KEYLOCK SWITCHES

M61

SPDT
SNAP-IN BRACKET



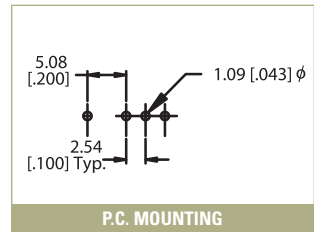
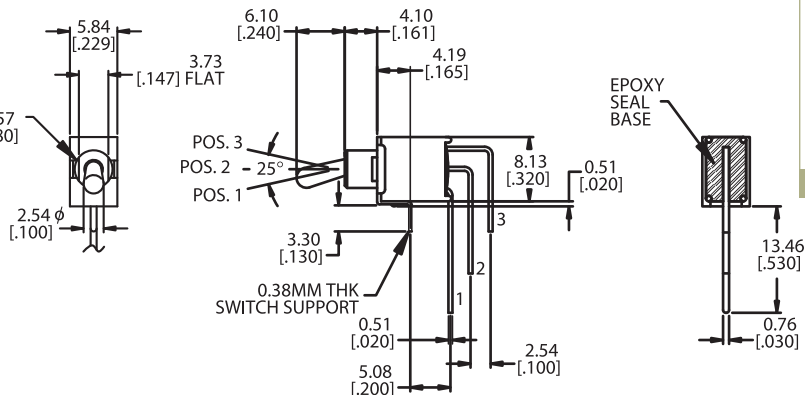
ROTARY SWITCHES

DETECTOR SWITCHES

CAP OPTIONS

M7

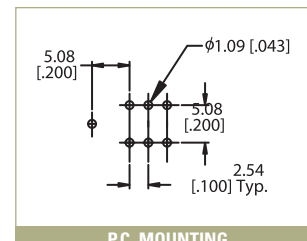
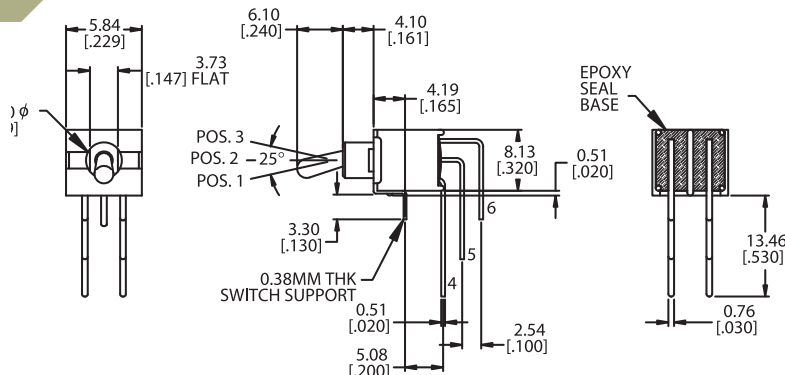
SPDT





M7

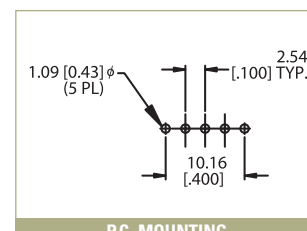
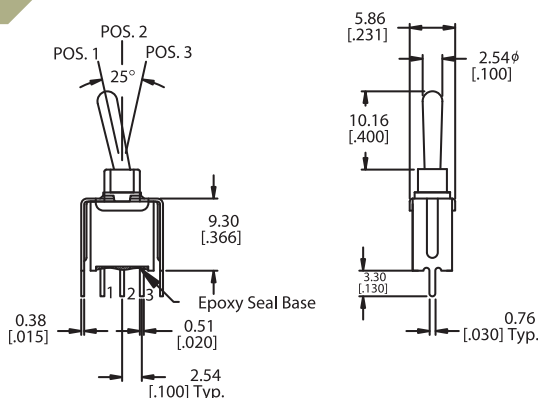
DPDT



P.C. MOUNTING

VS2

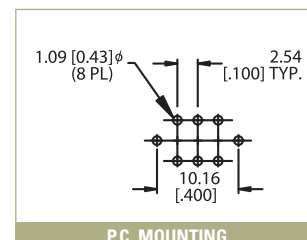
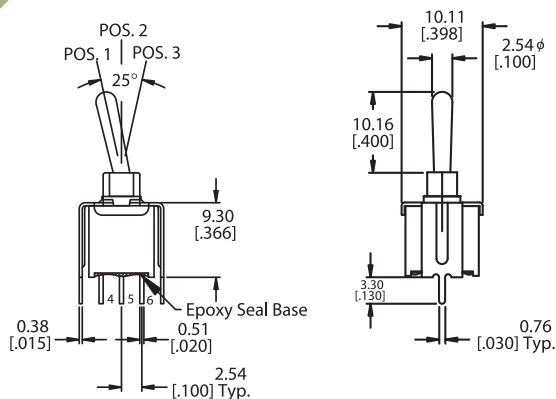
SPDT



P.C. MOUNTING

VS2

DPDT



P.C. MOUNTING

CONTACT MATERIAL OPTIONS

Q

Fixed Terminal:	Silver plated copper alloy
Moving Contact:	Silver plated copper alloy
Rating:	3 Amps @ 120VAC or 28VDC; 1 Amp @ 250VAC

R

Fixed Terminal:	Copper alloy with gold plate over nickel plate
Moving Contact:	Copper alloy with gold plate over nickel plate
Rating:	0.4 Volt-Amps (VA) max. @ 20V max. (AC or DC)

Looking for pricing, stock, or lifecycle information?

Click below to explore more details on WIN SOURCE:

 View [200AWMSP1T2A1VS2RE](#) on WIN SOURCE

 [E-SWITCH](#) Information

Optimize Your Supply Chain with WIN SOURCE Solutions

-  Global Sourcing Solution
-  Obsolete Management
-  Cost Control Management
-  Shortage Management
-  Alternative Solution
-  Excess Inventory Management