



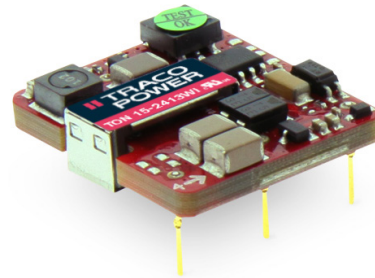
**THE DATASHEET OF  
TON 15-2411WI**



### Features

- Ultra compact 15W converter
- Ultra wide 4:1 input voltage range
- Cost efficient open frame design with industry standard pin-out
- Surface-mount (SM) and through-hole version
- I/O isolation voltage 2250V, rated for basic insulation
- Extended operating temperature range  $-40^{\circ}\text{C}$  to  $+85^{\circ}\text{C}$
- Remote On/Off
- Lead free design, RoHS compliant
- 3-years product warranty

*not recommended for new designs*



The TON-15WI series is a generation of high performance 15W dc-dc converters with ultra-wide input voltage range and precisely regulated output voltage. The ultra compact open frame design with industry standard pin-out provides the designer now a 50% smaller, cost efficient alternative to existing 10 to 15W converters in the market. Built-in filters for both input and output minimize the need for external filtering. Further features include remote On/Off, output voltage trimming, over voltage protection and short circuit protection. Typical applications are distributed power systems, instrumentation and industrial electronics, everywhere where space on the PCB is a critical factor.

### Models

Order code	Input voltage range	Output voltage	Output current max.	Efficiency typ.
TON 15-2410WI	<b>9 – 36 VDC</b> (24 VDC nominal)	3.3 VDC	4'000 mA	85 %
TON 15-2411WI		5.0 VDC	3'000 mA	87 %
TON 15-2412WI		12 VDC	1'300 mA	86 %
TON 15-2413WI		15 VDC	1'000 mA	86 %
TON 15-4810WI	<b>18 – 75 VDC</b> (48 VDC nominal)	3.3 VDC	4'000 mA	85 %
TON 15-4811WI		5.0 VDC	3'000 mA	87 %
TON 15-4812WI		12 VDC	1'300 mA	86 %
TON 15-4813WI		15 VDC	1'000 mA	86 %

Add suffix **SM** for surface mount version

### Input Specifications

Input current at no load	24 V; 3.3/5 Vout models: 65 mA typ. 24 V; 12/15 Vout models: 10 mA typ. 48 V; 3.3/5 Vout models: 40 mA typ. 48 V; 12/15 Vout models: 15 mA typ.
Input current at full load	24 V; 3.3 Vout models: 680 mA typ. 24 V; other output models: 790 mA typ. 48 V; 3.3 Vout models: 340 mA typ. 48 V; other output models: 390 mA typ.
Start-up voltage / under voltage lockout	24 V models: 9 VDC / 8 VDC 48 V models: 18 VDC / 16 VDC
Surge voltage (100 msec. max.)	24 V models: 50 V max. 48 V models: 100 V max.
Input filter	capacitor type (see application note for compliance to EN 55022 class A/B)
Radiated immunity	EN 61000-4-3 10 V/m, perf. criteriy A
Fast transient / surge	EN 61000-4-4, $\pm 2$ kV, perf. criteria A EN 61000-4-5, $\pm 1$ kV perf. criteria A with external input capacitor e.g. Nippon chemi-con KY 220 $\mu$ F, 100 V, ESR 48 mOhm
Conducted immunity	EN 61000-4-6, 3 Vrms, perf. criteria A
Reflected ripple current	30 mAp-p typ.

### Output Specifications

Voltage set accuracy	$\pm 1$ %
Output voltage adjustment	$\pm 10$ % (see application note)
Regulation	- Input variation Vin min. to Vin max: 0.2 % max. - Load variation 0 – 100 %: 0.2 % max.
Minimum load	0 % of rated max. load
Temperature coefficient	$\pm 0.02$ %/K
Ripple and noise (20 MHz Bandwidth, measured with 1 $\mu$ F M/C and 10 $\mu$ F TC)	100 mVpk-pk typ
Start up time	- Power On: 30 ms typ. (constant resistive load) - Remote On: 30 ms typ.
Transient response setting time (25% load step chang)	250 $\mu$ s typ.
Short circuit protection	indefinite (automatic recovery)
Over load protection	at 150 % of Iout max., foldback
Over voltage protection	3.3 Vout models: 3.7 – 5.4 Vout 5 Vout models: 5.6 – 7.0 Vout 12 Vout models: 13.8 – 17.5 Vout 15 Vout models: 16.8 – 20.5 Vout
Capacitive load	3.3 Vout & 5.0 Vout models: 1'000 $\mu$ F max. 12 Vout models: 330 $\mu$ F max. 15 Vout models: 220 $\mu$ F max.

### General Specifications

Temperature ranges	- Operating: -40°C to +85°C (with derating) - Storage: -55°C to +125°C
Derating	see application note <a href="http://www.tracopower.com/overview/ton15wi">www.tracopower.com/overview/ton15wi</a>
Humidity (non condensing)	5 % to 95 % rel H

All specifications valid at nominal input voltage, full load and +25°C after warm-up time unless otherwise stated.

**General Specifications**

Thermal shock		acc. MIL-STD-810F
Vibration		acc. MIL-STD-810F
Reliability, calculated MTBF (MIL-HDBK-217F, at 25°C, ground benign)		>2.4 Mio. h
Isolation voltage (60 sec)	- Input / Output	2'250 VDC (complies with basic insulation rating per EN 60950-1)
Isolation resistance	- Input / Output	>1'000 M Ohm
Isolation capacitance	- Input / Output	1500 pF max.
Switching frequency (Pulse width modulation PWM)	3.3 / 5 Vout models: 12 / 15 Vout models:	350 kHz typ. 400 kHz typ.
Remote On/Off	- On: - Off: - Off idle current:	3.0 to 15 VDC or open circuit. 0 to 1.2 VDC or short circuit pin 6 and pin 2 2.5 mA typ. negative remote On/Off logic on demand
Safety approvals	- Certification documents	UL 60950-1, EN 60950-1, IEC 60950-1 <a href="http://www.tracopower.com/overview/ton15wi">www.tracopower.com/overview/ton15wi</a>
Environmental compliance	- Reach - RoHS	<a href="http://www.tracopower.com/info/reach-declaration.pdf">www.tracopower.com/info/reach-declaration.pdf</a> RoHS directive 2011/65/EU

**Physical Specifications**

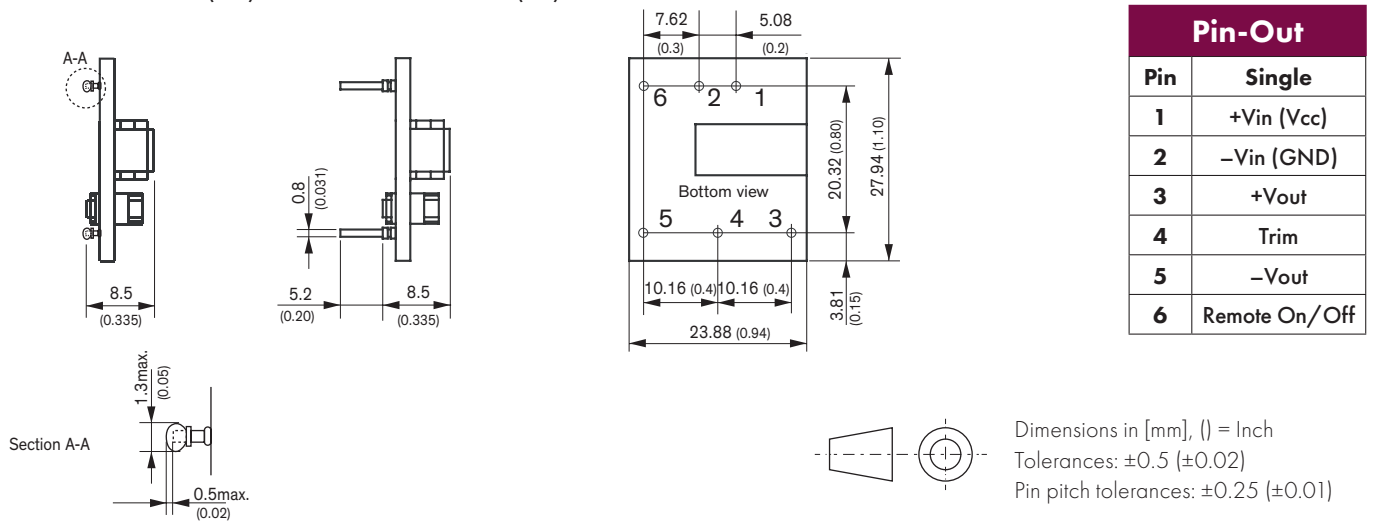
Weight		10.5g (0.36oz)
Soldering profile for trough hole version		max. 265°C / 10 sec. (wave soldering)
Lead-free reflow solder process for SMD-package models		as per J-STD-020D.01 (to find at: <a href="http://www.jedec.org">www.jedec.org</a> - free registration required)

**Supporting documents:** [www.tracopower.com/overview/ton15wi](http://www.tracopower.com/overview/ton15wi)

**Outline Dimensions**

SMD version (SM)

thru hole version (TH)



Specifications can be changed without notice! Make sure you are using the latest documentation, downloadable at [www.tracopower.com](http://www.tracopower.com)

## Looking for pricing, stock, or lifecycle information?

Click below to explore more details on WIN SOURCE:

 [View TON 15-2411WI on WIN SOURCE](#)

 [Traco Power Information](#)

## Optimize Your Supply Chain with WIN SOURCE Solutions

-  Global Sourcing Solution
-  Obsolete Management
-  Cost Control Management
-  Shortage Management
-  Alternative Solution
-  Excess Inventory Management