



**THE DATASHEET OF
6091222120F**





609 SERIES 9mm Panel Mount Indicators

MECHANICAL / SPECIFICATIONS

MOUNTING HOLE SIZE:
0.374" (9.5 mm)

MAX PANEL THICKNESS:
0.374" (9.5 mm);
with Gasket: 0.318" (8.0 mm)

MOUNTING TORQUE:
0.362 lbs/ft (5 kg/cm)

VOLTAGE OPTIONS:
6, 12 & 24 V DC (no resistor required)

OPERATING TEMP:
-30 °C to +85 °C (-22 °F to +185 °F)

STORAGE TEMP:
-40 °C to +85 °C (-40 °F to +185 °F)

ELECTRICAL CONNECTION:
Solder terminals

HOUSING:
Brass-Chrome or Black Plated

TERMINALS:
Copper-Nickel Plated

LOCK WASHER:
Iron-Nickel Plated

NUT:
Brass-Nickel Plated

CERTIFICATIONS & RATINGS

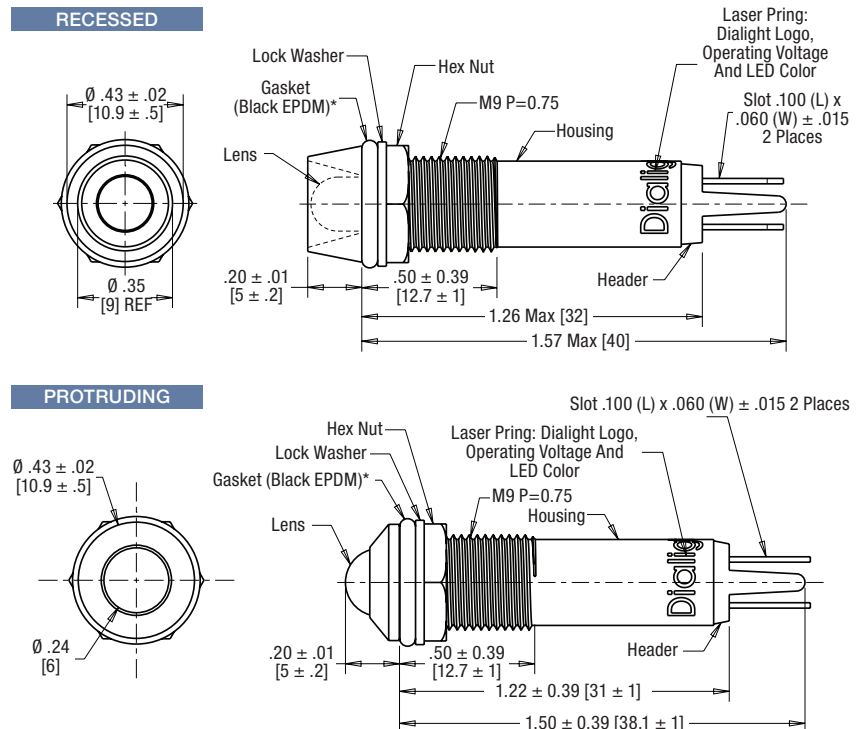
RoHS compliant
NEMA 4X (Watertight only)
IP66 (Watertight only)

APPLICATION

The 609 Series LED Panel Mount Indicators are designed for a variety of applications such as:

- Main power indication
- Remote power indication
- Status indication
- Maintenance and warning indication
- Instrumentation

DIMENSIONS inches [mm]



These indicators are un-polarized
*Gasket only available on 609-1X12-3X0F

ORDERING INFORMATION

PROTRUDING LED

Part Number	Part Number	Color	Voltage (V DC)	Current (mA)	Intensity Typ. (mcd)	Plating
Standard	Watertight					
609-1112-120F	609-1112-320F	● Red	6	15	85	Chrome
609-1212-120F	609-1212-320F	● Green			115	
609-1312-120F	609-1312-320F	● Yellow			90	
609-1112-130F	609-1112-330F	● Red	12		85	
609-1212-130F	609-1212-330F	● Green			115	
609-1312-130F	609-1312-330F	● Yellow			90	
609-1112-140F	609-1112-340F	● Red	24		85	
609-1212-140F	609-1212-340F	● Green			115	
609-1312-140F	609-1312-340F	● Yellow			90	
609-1122-120F	609-1122-320F	● Red	6		85	Black
609-1222-120F	609-1222-320F	● Green			115	
609-1322-120F	609-1322-320F	● Yellow			90	
609-1122-130F	609-1122-330F	● Red	12		85	
609-1222-130F	609-1222-330F	● Green			115	
609-1322-130F	609-1322-330F	● Yellow			90	
609-1122-140F	609-1122-340F	● Red	24	85		
609-1222-140F	609-1222-340F	● Green		115		
609-1322-140F	609-1322-340F	● Yellow		90		

RECESSED LED

609-2112-120F	609-2112-320F	● Red	6	15	85	Chrome
609-2212-120F	609-2212-320F	● Green			115	
609-2312-120F	609-2312-320F	● Yellow			90	
609-2112-130F	609-2112-330F	● Red	12		85	
609-2212-130F	609-2212-330F	● Green			115	
609-2312-130F	609-2312-330F	● Yellow			90	
609-2112-140F	609-2112-340F	● Red	24		85	
609-2212-140F	609-2212-340F	● Green			115	
609-2312-140F	609-2312-340F	● Yellow			90	
609-2122-120F	609-2122-320F	● Red	6		85	Black
609-2222-120F	609-2222-320F	● Green			115	
609-2322-120F	609-2322-320F	● Yellow			90	
609-2122-130F	609-2122-330F	● Red	12		85	
609-2222-130F	609-2222-330F	● Green			115	
609-2322-130F	609-2322-330F	● Yellow			90	
609-2122-140F	609-2122-340F	● Red	24	85		
609-2222-140F	609-2222-340F	● Green		115		
609-2322-140F	609-2322-340F	● Yellow		90		



Dialight reserves the right to make changes at any time in order to supply the best product possible. The most current version of this document will always be available at: www.dialightsignalsandcomponents.com

Warranty Statement: Except for the warranty expressly provided for at: www.dialight.com/resources/warranties/, Dialight disclaims any and all other warranties, express or implied, including, without limitation, any warranties of merchantability, fitness for a particular purpose, title, and noninfringement.

Looking for pricing, stock, or lifecycle information?

Click below to explore more details on WIN SOURCE:

 [View 6091222120F on WIN SOURCE](#)

 [Dialight Information](#)

Optimize Your Supply Chain with WIN SOURCE Solutions

-  Global Sourcing Solution
-  Obsolete Management
-  Cost Control Management
-  Shortage Management
-  Alternative Solution
-  Excess Inventory Management