



**THE DATASHEET OF  
DNF18-250-M**



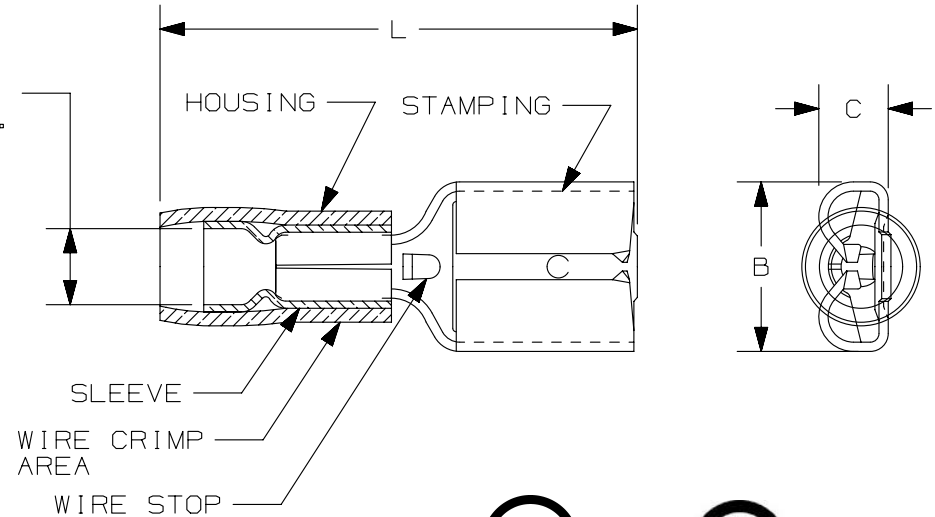
THIS COPY IS PROVIDED ON A RESTRICTED BASIS AND IS NOT TO BE USED IN ANY WAY DETRIMENTAL TO THE INTERESTS OF PANDUIT CORP.

| PANDUIT PART # | TAB SIZE in. [mm]       | WIRE RANGE AWG [mm <sup>2</sup> ] | COLOR | DIMENSIONS in. [mm] |             |               |               |                |
|----------------|-------------------------|-----------------------------------|-------|---------------------|-------------|---------------|---------------|----------------|
|                |                         |                                   |       | MAX. INSUL.         | MIN. INSUL. | L ± .03 [0,8] | B ± .01 [0,3] | C ± .004 [0,1] |
| DNF18-250      | .250 X .032 [6,4 X 0,8] | #22-18 [0,5-1,0]                  | RED   | .14 [3,6]           | .04 [1,0]   | .81 [20,6]    | .29 [7,4]     | .12 [3,1]      |
| DNF14-250      |                         | #16-14 [1,5-2,5]                  | BLUE  | .16 [4,1]           | .05 [1,3]   | .83 [21,1]    | .29 [7,4]     | .12 [3,1]      |

NOTES:

- USED FOR:
  - STRANDED COPPER WIRE ONLY
  - 194°F [90°C] MAX. OPERATING TEMPERATURE
  - 300 V. MAX VOLTAGE RATING
  - 6-12 LBS INITIAL INSERTION/WITHDRAWL FORCE
- INSTALLATION TOOLS:
  - UL LISTED AND CSA CERTIFIED: CT-1550, CT-1551 CT-600A (CT-570CH), CT-2500 (CT-2570CH)
  - PANDUIT APPROVED: CT-100A, CT-160, CT-260, CT-1550, CT-1551
- WIRE STRIP LENGTH: 9/32" <sup>+1/32</sup>/<sub>0</sub> [7,1<sup>±0,3</sup>]
- MATERIAL:
  - STAMPING: BRASS, TIN PLATED
  - HOUSING: NYLON
  - SLEEVE: BRASS, TIN PLATED
- SEE [www.panduit.com](http://www.panduit.com) FOR PACKAGE QUANTITIES INDICATED BY PART NUMBER SUFFIX
- DIMENSIONS IN BRACKETS ARE METRIC EQUIVALENT

MAX. OR MIN. WIRE INSUL. DIA.



LISTED  
20H3  
E78522



CERTIFIED  
LR31212

|   |      |  |        |      |
|---|------|--|--------|------|
| TITLE   |      | FEMALE DISCONNECTS, NYLON INSULATED, FUNNEL            |        |      |
| ITEM REVISION NAME  |      | CUSTOMER DRAWING                                       |        |      |
| DATASET FILE NAME   |      | N41200BA/08  |        |      |
| UNLESS OTHERWISE SPECIFIED, DIMENSIONAL TOLERANCES ARE: IN [mm] |      | <b>PANDUIT</b> <sup>TM</sup><br>MATERIAL:<br>SEE NOTES |        |      |
| .x ± .1 [2.54]      .xxx ± .005 [.13]                           |      | DRAWING NUMBER:<br>A41200                              |        |      |
| .xx ± .01 [.25]      ANGLES ± 5°                                |      | THIRD ANGLE PROJECTION                                 |        |      |
| DRAWN BY  | DATE | CHK  | SCALE  | SIZE |
| FES   | -    | LA   | N.T.S. | A    |

| REV | DATE     | BY  | CHK | APR | DESCRIPTION   | ECN    |
|-----|----------|-----|-----|-----|---|--------|
| 08  | 10.02.12 | JBN | LCA | VMB | ADDED METRIC EQUIVALENT. REVISED NOTES. UPDATED TO CURRENT STANDARDS. | A41200 |

D10100DA/12

## Looking for pricing, stock, or lifecycle information?

Click below to explore more details on WIN SOURCE:

 [View DNF18-250-M on WIN SOURCE](#)

 [Panduit Corp](#) Information

## Optimize Your Supply Chain with WIN SOURCE Solutions

-  Global Sourcing Solution
-  Obsolete Management
-  Cost Control Management
-  Shortage Management
-  Alternative Solution
-  Excess Inventory Management