

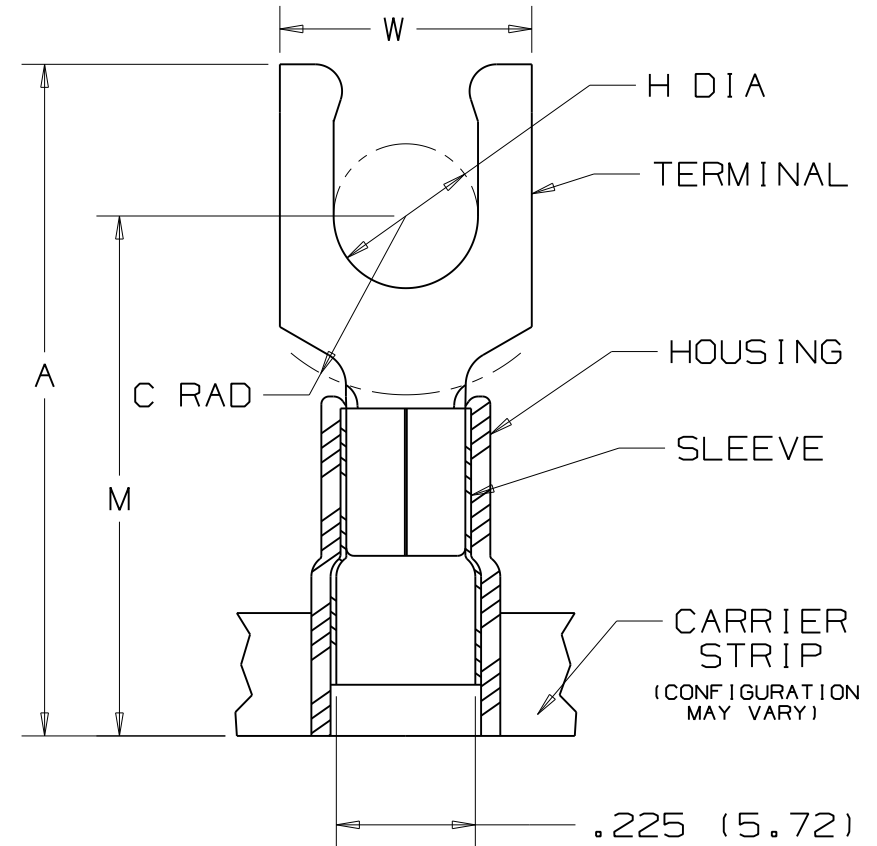


**THE DATASHEET OF
PN10-8LF-2K**



THIS COPY IS PROVIDED ON A RESTRICTED BASIS AND IS NOT TO BE USED IN ANY WAY DETRIMENTAL TO THE INTERESTS OF PANDUIT CORP.

PANDUIT PART NUMBER	STUD SIZE	DIMENSIONS in.				
		A $\pm .040$	W $\pm .010$	C $\pm .020$	M $\pm .040$	H $\pm .010$
PN10-6LF-2K	#6	1.02 (25.91)	.30 (7.62)	.21 (5.33)	.79 (20.07)	.14 (3.56)
PN10-8LF-2K	#8	1.05 (26.67)	.30 (7.62)	.21 (5.33)	.79 (20.07)	.16 (4.06)
PN10-10LF-2K	#10	1.05 (26.67)	.34 (8.64)	.21 (5.33)	.79 (20.07)	.19 (4.83)



NOTES :

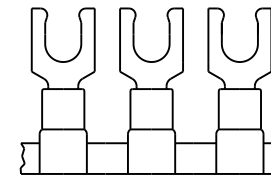
- UL LISTED AND CSA CERTIFIED FOR :
 A. 600 V MAX. VOLTAGE RATING
 B. 221°F (105°C) MAX. TEMP. RATING
 C. #12-10 AWG (2.5-6.0 mm²) SOLID OR STRANDED, COPPER WIRE
- PACKAGE QTY. : 2K = 2000 PCS.
CONTINUOUS MOLDED CARRIER STRIP
- MATERIAL :
 A. STAMPING - .04" THK COPPER, TIN PLATED
 B. HOUSING - YELLOW NYLON
 C. SLEEVE - BRASS, TIN PLATED
- DIMENSIONS IN BRACKETS ARE IN MILLIMETERS
- INSTALLATION TOOLS :
 A. PRESSES - CP-851, CP-860, CP-861
 B. APPLICATOR - CA-800
 C. DIE INSERTS - CD-800-3
- WIRE STRIP LENGTH: $9/32^{+1/32}_{-0}$ (7.1^{+0.8}₋₀)



LISTED
587H
E52164



CERTIFIED
LR31212



						PANDUIT CORP.		TINLEY PARK, ILLINOIS			
						TERMO 3PC. CONTINUOUSLY MOLDED NYLON INSULATED, 12-10 BARREL, LOCKING FORKS					
06	11/07	SRB		Removed part #PN10-14LF-2K Part Obsoleted							
REV	DATE	BY	CHK	DESCRIPTION	ECN	CUST	PM	DRAWN BY JMV	CHK'D LA	SCALE NONE	DRAWING NO. A41101

Looking for pricing, stock, or lifecycle information?

Click below to explore more details on WIN SOURCE:

 [View PN10-8LF-2K on WIN SOURCE](#)

 [Panduit Corp Information](#)

Optimize Your Supply Chain with WIN SOURCE Solutions

-  Global Sourcing Solution
-  Obsolete Management
-  Cost Control Management
-  Shortage Management
-  Alternative Solution
-  Excess Inventory Management