



# SERIES MS SWITCHES

## SNAP ACTION SWITCHES - MINIATURE



### SPECIFICATIONS

Contact Rating:	Gold .4VA max. @ 20 VDC or VAC Max. 5 Amps @ 125/250 VAC-UL, CUL
	5 Amps @ 125/250 VAC-UL, CUL
Life Expectancy:	50,000 cycles minimum
Mechanical Life:	1,000,000 cycles typical
Insulation Resistance:	100 MΩ min.
Dielectric Strength:	1,000 VAC for 60 seconds
Operating Force:	See Chart

### FEATURES & BENEFITS

- ▶ Available in gold & 5 amp versions
- ▶ Wide variety of actuator, operating force & termination options

### APPLICATIONS/MARKETS

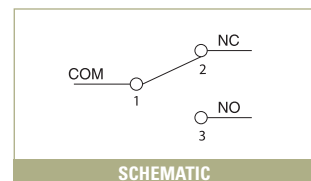
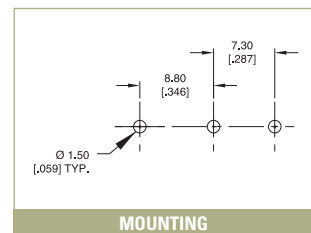
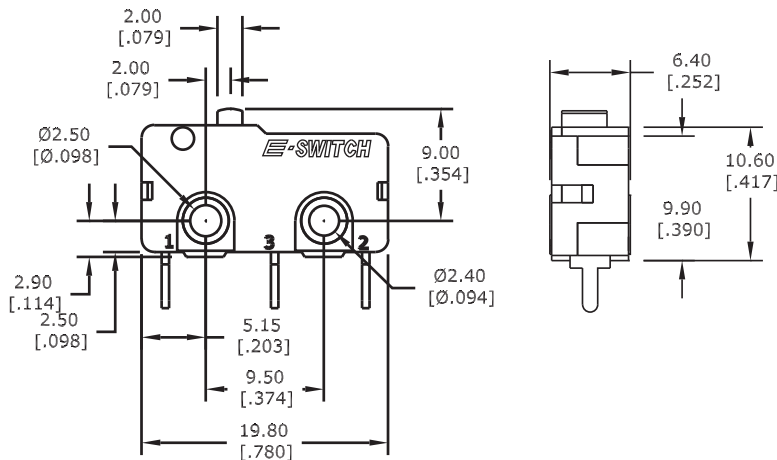
- ▶ Appliance
- ▶ Timing controls
- ▶ Vending machines
- ▶ Gaming
- ▶ Industrial controls
- ▶ Power tools

### HOW TO ORDER

SERIES	OPERATING TEMP.	CURRENT RATING	ACTUATOR	OPERATING FORCE	TERMINATION	CIRCUIT
<b>MS</b>	085 = 85C	R1 = Gold 05 = 5A	See Chart	See Chart	S1 = Solder Lug C1 = 0.110" Quick Connect P1 = PCB Pin V1 = Right Angle PCB Pin V2 = Left Angle PCB Pin	A = SPDT C = SPST NO

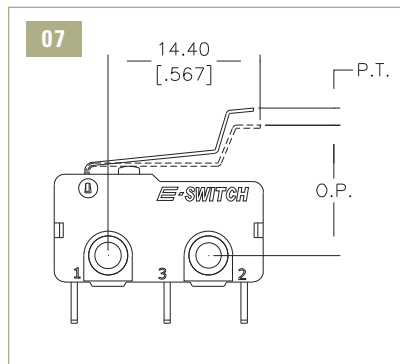
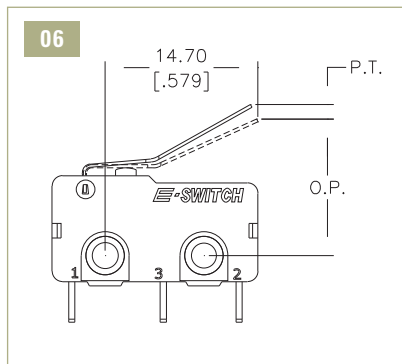
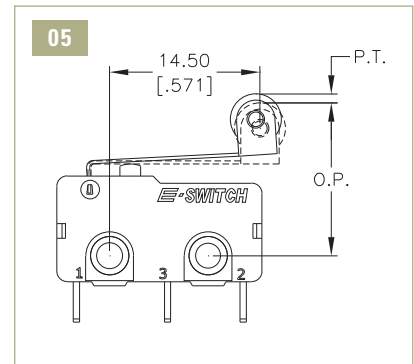
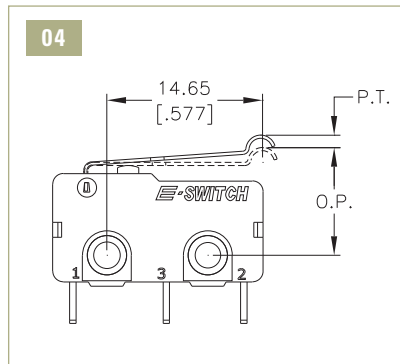
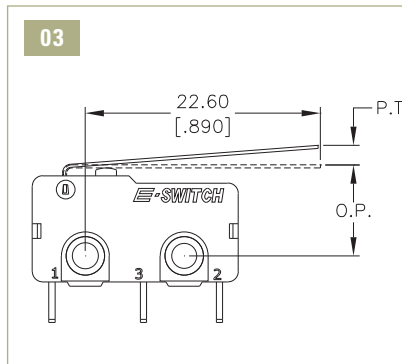
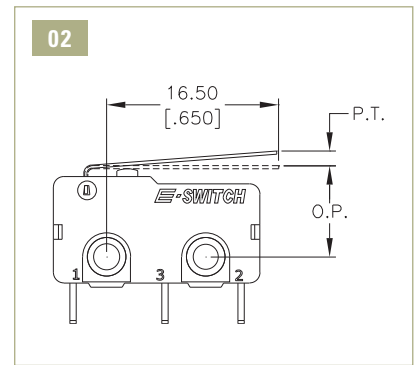
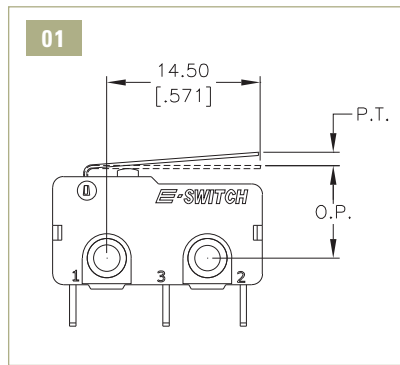
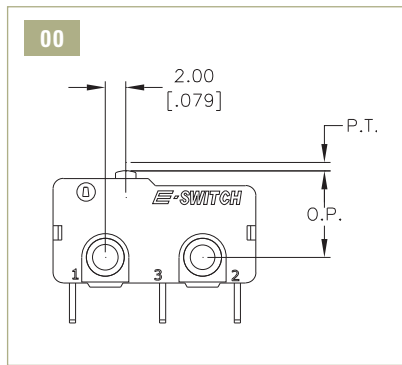
**Example Ordering Number**  
MS-085-R1-00-F130-S1-A

Specifications subject to change without notice. 11.16.2021





**ACTUATOR OPTIONS**



TACT SWITCHES

NAVIGATION SWITCHES

PUSHBUTTON SWITCHES

TOGGLE SWITCHES

ROCKER SWITCHES

SLIDE SWITCHES

SNAP-ACTION SWITCHES

DIP SWITCHES

KEYLOCK SWITCHES

ROTARY SWITCHES

DETECTOR SWITCHES

CAP OPTIONS

Actuator	ACTUATOR AND OPERATING FORCE CHART									
	Actuation/Return Force									
00	60+/-25	80+/-25	95+/-30	115+/-40	130+/-40	150+/-40	175+/-45	190+/-45	250+/-50	295+/-55
01	20+/-8	25+/-12	30+/-12	35+/-20	40+/-20	45+/-20	50+/-20	55+/-25	70+/-25	85+/-30
02	15+/-6	20+/-8	25+/-12	30+/-12	35+/-20	40+/-20	45+/-20	50+/-20	65+/-25	75+/-25
03	10+/-5	15+/-6	20+/-8	25+/-12	30+/-12	35+/-20	40+/-20	55+/-25	60+/-25	---
04	15+/-6	20+/-8	25+/-12	30+/-12	35+/-20	40+/-20	45+/-20	50+/-20	65+/-25	75+/-25
05	15+/-6	20+/-8	25+/-12	30+/-12	35+/-20	40+/-20	45+/-20	50+/-20	65+/-25	75+/-25
06	15+/-6	20+/-8	25+/-12	30+/-12	35+/-20	40+/-20	45+/-20	50+/-20	65+/-25	75+/-25
07	15+/-6	20+/-8	25+/-12	30+/-12	35+/-20	40+/-20	45+/-20	50+/-20	65+/-25	75+/-25

Actuator	Pre-Travel	Operating Position
00	1.1 max	8.5+/-0.3
01	3.6 max	9.1+/-0.8
02	3.8 max	9.1+/-0.8
03	4.4 max	9.5+/-0.8
04	3.2 max	10.9+/-1.0
05	4.0 max	14.9+/-1.0
06	4.1 max	13.9+/-1.5
07	5.0 max	12.5+/-1.5

PT= Pretravel OP= Operating Point OT= Over Travel



# SERIES MS SWITCHES

## SNAP ACTION SWITCHES - MINIATURE

TACT  
SWITCHES

NAVIGATION  
SWITCHES

PUSHBUTTON  
SWITCHES

TOGGLE  
SWITCHES

ROCKER  
SWITCHES

SLIDE  
SWITCHES

SNAP-ACTION  
SWITCHES

DIP  
SWITCHES

KEYLOCK  
SWITCHES

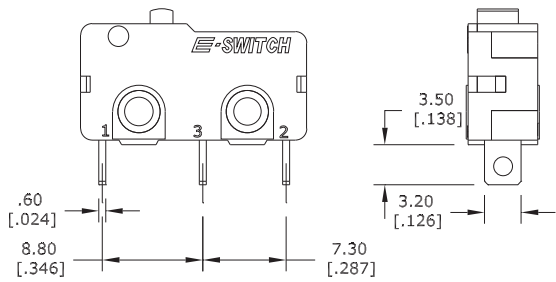
ROTARY  
SWITCHES

DETECTOR  
SWITCHES

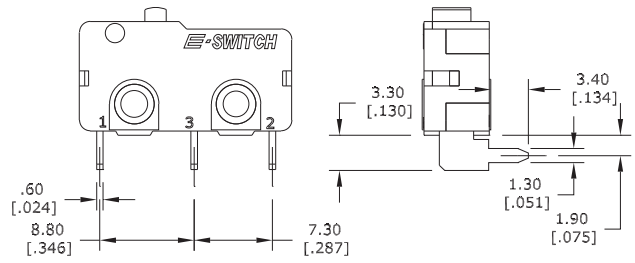
CAP  
OPTIONS

### TERMINATION OPTIONS

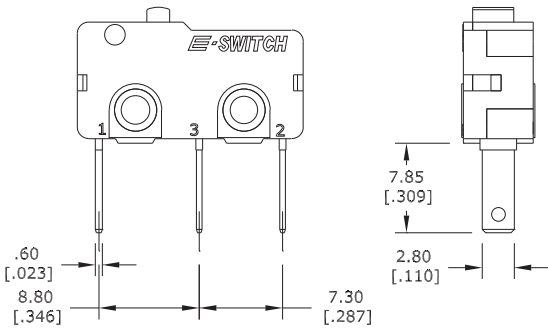
**S1 SOLDER LUG**



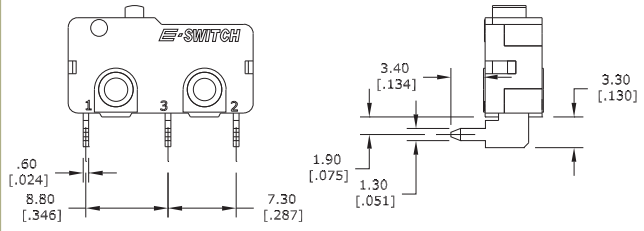
**V1 RIGHT ANGLE PCB PIN**



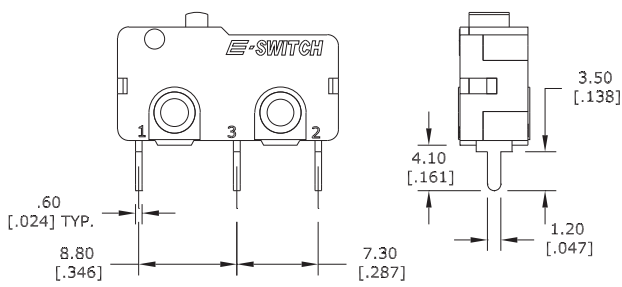
**C1 0.110" QUICK CONNECT**



**V2 LEFT ANGLE PCB PIN**



**P1 PCB TERMINALS**



## Looking for pricing, stock, or lifecycle information?

Click below to explore more details on WIN SOURCE:

- ⊖ [View MS0850502F020S1A on WIN SOURCE](#)
- ⊖ [E-SWITCH Information](#)

## Optimize Your Supply Chain with WIN SOURCE Solutions

- ✓ Global Sourcing Solution
- ✓ Obsolete Management
- ✓ Cost Control Management
- ✓ Shortage Management
- ✓ Alternative Solution
- ✓ Excess Inventory Management