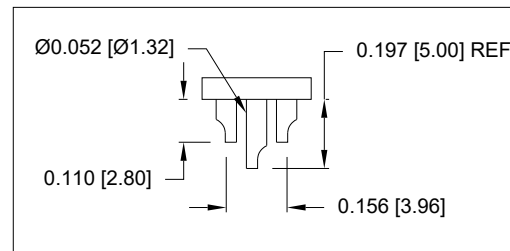
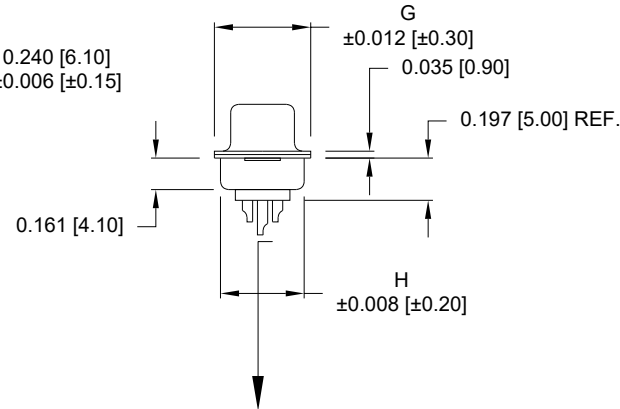
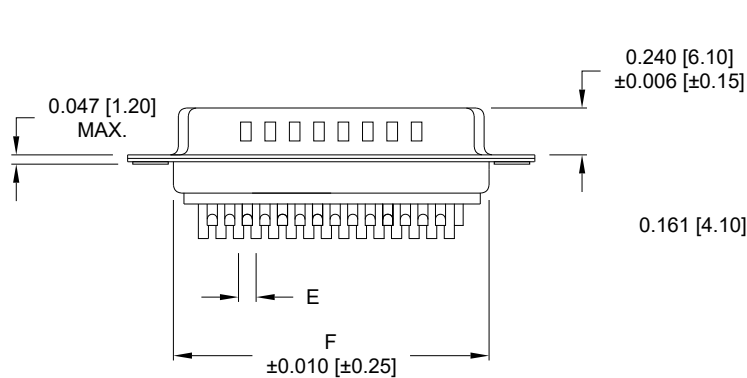
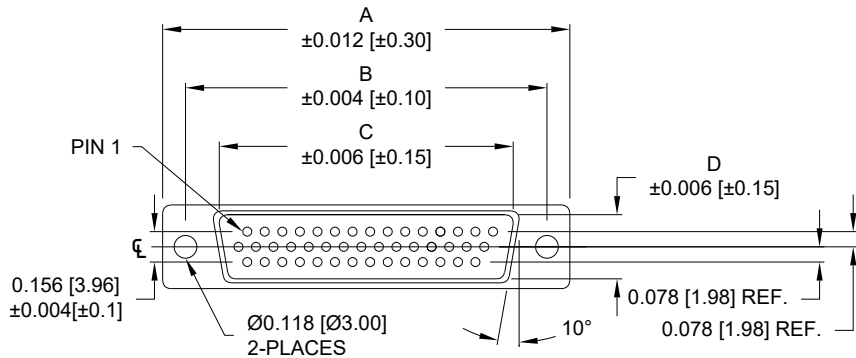


DESCRIPTION: HIGH DENSITY MALE - SOLDER CUP

DIMENSIONS

No. OF PINS		A	B	C	D	E	F	G	H
15	inch	1.213	0.984	0.666	0.329	0.090	0.756	0.496	0.429
	mm	30.80	24.99	16.92	8.36	2.29	19.20	12.60	10.90
26	inch	1.543	1.312	0.978	0.329	0.090	1.091	0.496	0.429
	mm	39.20	33.32	25.25	8.36	2.29	27.70	12.60	10.90
44	inch	2.087	1.852	1.534	0.329	0.090	1.618	0.496	0.429
	mm	53.00	47.04	38.85	8.36	2.29	41.10	12.60	10.90
62	inch	2.732	2.500	2.181	0.329	0.095	2.256	0.496	0.429
	mm	69.40	63.50	55.40	8.36	2.41	57.30	12.60	10.90
78	inch	2.638	2.406	2.079	0.445	0.095	2.169	0.606	0.526
	mm	67.00	61.10	52.80	11.30	2.41	55.10	15.40	13.35

4 ROWS



NOTE: WILL ACCEPT UP TO 24 AWG WIRE

SPECIFICATIONS:

MATERIALS:

INSULATOR:

PBT 30% GF, UL94 V-0
(PROCESS TEMP 230°C)

CONTACTS:

GOLD PLATED BRASS OVER NICKEL
NICKEL OR TIN PLATED STEEL

SHELL:

ELECTRICAL:

RATED CURRENT:

3A

VOLTAGE:

500VAC FOR 1 MINUTE

INSULATION RESISTANCE:

1000 MOhms MIN.

CONTACT RESISTANCE:

15 mOhms MAX.

ENVIRONMENT:

OPERATING TEMPERATURE: -50°C TO +100°C

180-YYY-10YLYY1

SERIES	180
POSITIONS	YYY
	015 026 044 062 078
GENDER	1 = MALE
TERMINATION	0 = SOLDER CUP
SHELL PLATING	2 = TIN (DISCONTINUED) 3 = NICKEL (GROUND INDENTS)
HARDWARE OPTIONS	00 = NO HARDWARE 01 = .098" CLINCH NUT (SOLDER SIDE) 02 = .236" CLINCH NUT (SOLDER SIDE) 03 = .236" CLINCH NUT (MATING SIDE)
PLATING OPTIONS	1 = GOLD FLASH 2 = 30u" GOLD MATING AREA; GF ON TAILS

RoHS COMPLIANT

UNITS = inch [mm]

DO NOT SCALE FROM DRAWING



THESE DRAWINGS AND SPECIFICATIONS ARE THE PROPERTY OF NorComp AND SHALL NOT BE REPRODUCED, COPIED OR USED AS THE BASIS FOR THE MANUFACTURE OR SALE OF APPARATUS WITHOUT WRITTEN PERMISSION.

DRAWN:
WAYNE ROBBINS

DATE:
11/29/2005

NorComp

SCALE:
NTS

SHEET OF
1 2

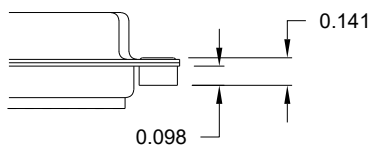
REV
18

DWG NO.

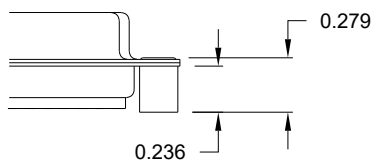
180-YYY-10YLYY1

ALL CLINCH-NUTS ARE 4-40 INTERNAL THREADS

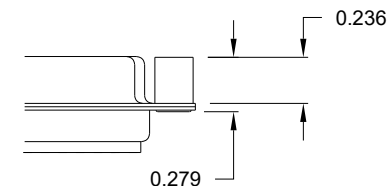
01 0.098" (SOLDER SIDE)



02 0.236" (SOLDER SIDE)



03 0.236" (MATING SIDE)



RoHS COMPLIANT

UNITS = inch

DO NOT SCALE FROM DRAWING



THESE DRAWINGS AND SPECIFICATIONS ARE THE PROPERTY OF NorComp AND SHALL NOT BE REPRODUCED, COPIED OR USED AS THE BASIS FOR THE MANUFACTURE OR SALE OF APPARATUS WITHOUT WRITTEN PERMISSION.

DRAWN:
WAYNE ROBBINS

DATE:
11/29/2005

NorComp

SCALE:
NTS

SHEET OF
2 2

REV
18

DWG NO.

180-YYY-10YLYY1

Looking for pricing, stock, or lifecycle information?

Click below to explore more details on WIN SOURCE:

 [View 180-015-103L001 on WIN SOURCE](#)

 [NorComp Inc. Information](#)

Optimize Your Supply Chain with WIN SOURCE Solutions

-  Global Sourcing Solution
-  Obsolete Management
-  Cost Control Management
-  Shortage Management
-  Alternative Solution
-  Excess Inventory Management