



**THE DATASHEET OF
GKG30015**



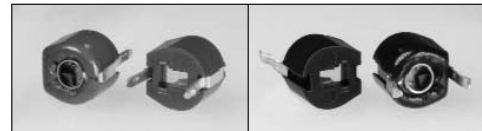
**PLASTIC ENCASED TYPE
GKG SERIES**

FEATURES

- Very low cost.
- Wide selection of capacitance ranges.
- Suitable for printed circuit production methods using "spring leads" or "straight leads".

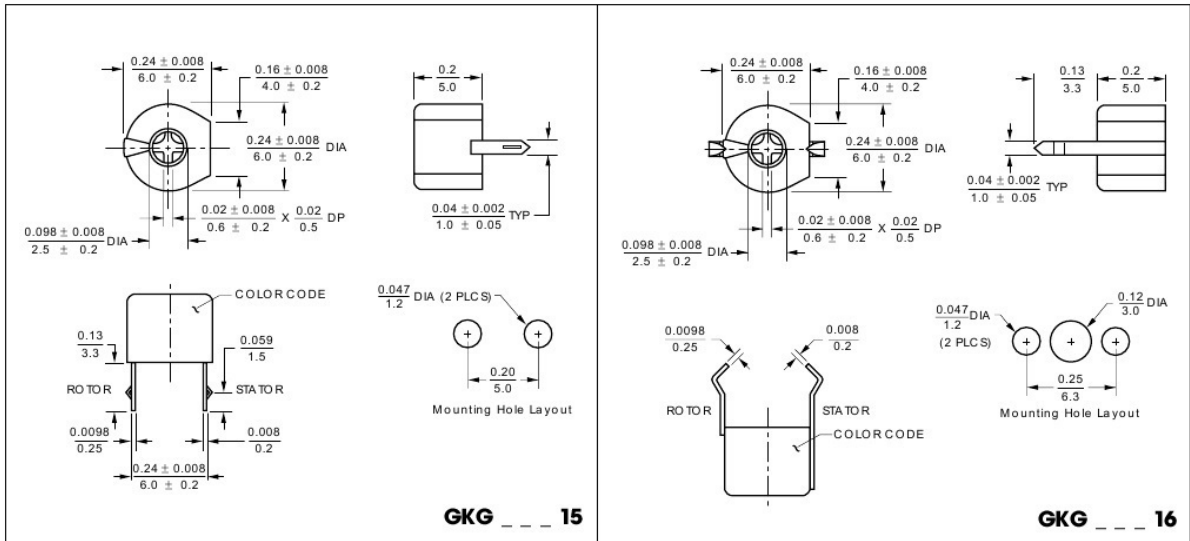
SPECIFICATIONS

Operating Temperature Range: -25°C to +85°C
 Voltage Rating: 100 VDC
 Dielectric Withstanding Voltage: 220 VDC
 Insulation Resistance: 10⁴ Megohms min
 Torque: 15 to 150 g-cm (0.21 to 2.1 oz-in)



6 mm Economy Models

| Capacitance (pF) | | TCC (ppm / °C) | Q min (1 MHz) | Color Code | Top Adjust Model No. | Bottom Adjust Model No. |
|------------------|------|----------------|---------------|------------|----------------------|-------------------------|
| min | max | | | | | |
| 1.0 | 3.0 | NPO ± 250 | 300 | Black | GKG3R015 | GKG3R016 |
| 2.0 | 5.0 | NPO ± 250 | 300 | Blue | GKG5R015 | GKG5R016 |
| 3.0 | 10.0 | NPO ± 250 | 300 | White | GKG10015 | GKG10016 |
| 5.0 | 20.0 | N750 ± 250 | 300 | Red | GKG20015 | GKG20016 |
| 6.5 | 30.0 | N1000 ± 500 | 200 | Green | GKG30015 | GKG30016 |
| 7.0 | 40.0 | N2200 ± 800 | 200 | Yellow | GKG40015 | GKG40016 |
| 10.0 | 50.0 | N2200 ± 800 | 200 | Brown | GKG50015 | GKG50016 |
| 12.0 | 60.0 | N2200 ± 800 | 200 | Brown | GKG60015 | GKG60016 |




All dimensions are in / mm.
 Unless otherwise specified, the tolerance on dimensions is ± 0.004 / 0.1; except slot tolerance is ± 0.008 / 0.2.

EW Electronics
 9019 Oso Ave.
 Unit-A
 Chatsworth, Ca 91311
 (818)718-2500

Looking for pricing, stock, or lifecycle information?

Click below to explore more details on WIN SOURCE:

 [View GKG30015](#) on WIN SOURCE

 [Manufacturer](#) Information

Optimize Your Supply Chain with WIN SOURCE Solutions

-  Global Sourcing Solution
-  Obsolete Management
-  Cost Control Management
-  Shortage Management
-  Alternative Solution
-  Excess Inventory Management