



# THE DATASHEET OF KSC641G LFS



# KSC6 Series

Sealed Tactile Switch for SMT 6.2 x 6.2 mm,  
with 7.7 mm Height Hard Actuator



## Description

The KSC6 series of sealed tactile switches for SMT are IP67 rated, 7.7 mm high momentary action tactile switches, featuring a hard actuator. The switches are available with a variety of operating forces and have an operating life of 300,000 cycles. The KSC6 series are designed to give users a positive adaptable tactile feeling, perfect for industrial electronics, consumer products and automotive applications.

## Features & Benefits

- Positive adaptable tactile feeling
- Hard actuator 7.7mm high
- IP67
- RoHS and REACH compliant
- Compatible with lead free reflow soldering process of SMT devices
- J and G terminations

## Applications

- Industrial electronics
- Consumer products
- Automotive
- Transportation
- Medical

### Specifications

<b>Function</b>	Momentary action
<b>Contact Arrangement</b>	1 make contact = SPST, N.O.
<b>Terminals</b>	J bend & Gullwing type for SMT
<b>Sealing</b>	IP67
<b>Packaging</b>	Switches delivered on continuous tape & reels of 950 pieces Dimensions according to EIA RS-481/ IEC 60286-3 standard External diameter 380 ± 2 mm

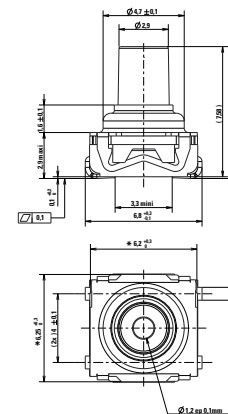
### Electrical Characteristics

	Silver	Gold
<b>Max. Power</b>	1 VA	0.2 VA
<b>Max. Voltage</b>	32 VDC	32 VDC
<b>Min. Voltage</b>	20 mV	20 mV
<b>Max. Current</b>	50 mA	10 mA
<b>Min. Current</b>	1 mA*	0.1 mA
<b>Dielectric Strength</b>	(50 Hz, 1 min.): ≥ 250 Vrms	
<b>Contact Resistance</b>	≤ 100 mΩ	
<b>Insulation Resistance</b>	(100 V): ≥ 1000 MΩ	
<b>Bounce Time</b>	≤ 1 ms	

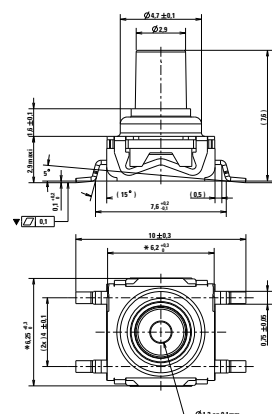
### Environmental Characteristics

	Silver	Gold
<b>Operating Temperature</b>	-40°C to 85°C	-40°C to 125°C
<b>Storage Temperature</b>	-55°C to 85°C	-55°C to 125°C

### J Dimensions (mm)



### G Dimensions (mm)



# KSC6 Series

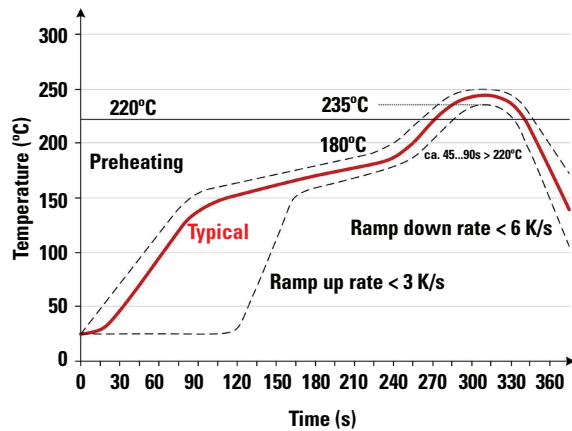
Sealed Tactile Switch for SMT 6.2 x 6.2 mm,  
with 7.7 mm Height Hard Actuator



## Mechanical Characteristics

Part #	Operating Force FA (Newtons)	Operating Life (operations)	Travel (mm)
KSC621	1.7 ± 0.5	300,000	0.4 ± 0.2
KSC631	2.55 ± 0.65		
KSC641	3.4 ± 0.85		

## Soldering Profile

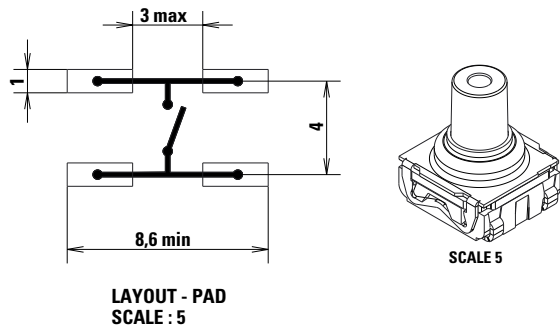


Note: Up to 2 reflow cycles in accordance with the above temperature profile

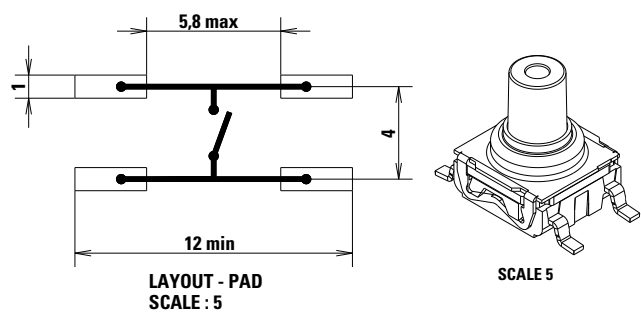
Soldering process: Depending on the application, this component is suited to the following methods:

- Terminals being silver or gold plated over a nickel barrier, the use of slightly activated flux is suitable.
- Lead free soldering process in accordance with the definition on the left.

## J Terminations (mm)

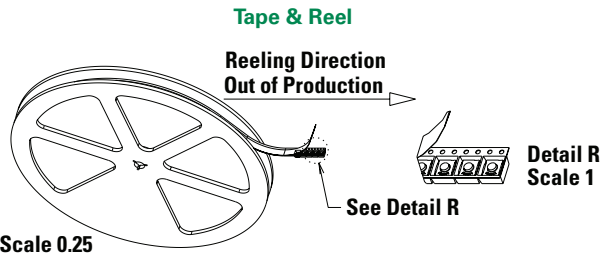


## G Terminations (mm)



# KSC6 Series

Sealed Tactile Switch for SMT 6.2 x 6.2 mm,  
with 7.7 mm Height Hard Actuator

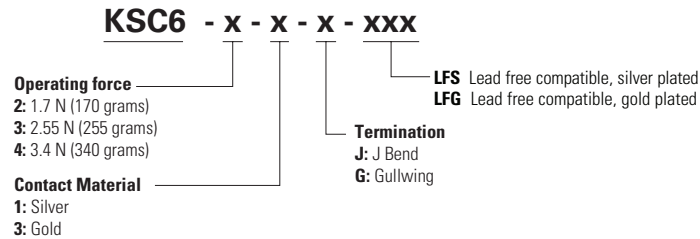


### Packaging Details

Type	Tape & reel
Number of Parts in Packaging	950
Other Information	Tape and reel per EIA 481
Transport Conditions	According to specification NF H00-060

### Ordering Number

Our easy build-a-switch concept allows you to mix and match options to create the switch you need. To order, select desired option from each category and place it in the appropriate box. For any part number different from those listed below, please consult your local representative.





### Liability Limitation

This datasheet does not provide enough information for applications that require a certain level of quality or safety such as automotive, medical systems, or safety equipment. Please contact customer service for the contractual specification package.

**Disclaimer Notice** - Information furnished is believed to be accurate and reliable. However, users should independently evaluate the suitability of and test each product selected for their own applications. Littelfuse products are not designed for, and may not be used in, all applications. Read complete Disclaimer Notice at <http://www.littelfuse.com/disclaimer-electronics>.

## Looking for pricing, stock, or lifecycle information?

Click below to explore more details on WIN SOURCE:

-  [View KSC641G LFS on WIN SOURCE](#)
-  [C&K Components Information](#)

## Optimize Your Supply Chain with WIN SOURCE Solutions

-  Global Sourcing Solution
-  Obsolete Management
-  Cost Control Management
-  Shortage Management
-  Alternative Solution
-  Excess Inventory Management