

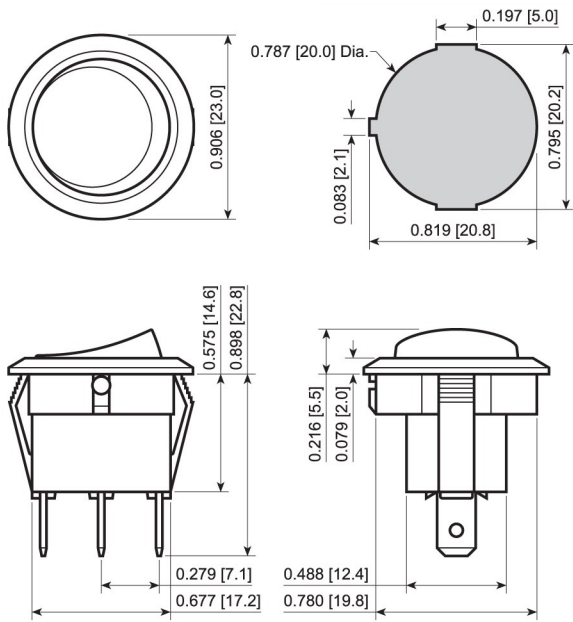


**THE DATASHEET OF  
RR113C1100**

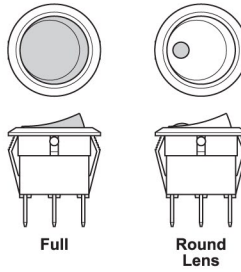




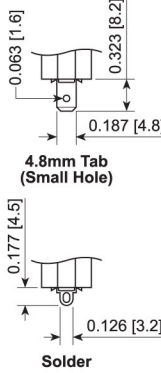
### Panel Cutout



### Illumination Options



### Terminal Options



### FEATURES:

- Aesthetically Designed
- High Ratings with UL
- Single Pole With Many Functions
- Full and Round Lens Illumination Options

### SPECIFICATIONS:

**RATING:** RATING OPTION C:  
16A 125VAC [UL, cUL]  
10A 250VAC [UL, cUL]  
1/3HP 125/250VAC [UL, cUL]

### RATING OPTION 3:

10A 125VAC [UL, cUL]

**TEMPERATURE:** -20°C to 105°C [UL, cUL]

**ELECTRICAL LIFE:** 10,000 Cycles  
**CONTACT RESISTANCE:** 35mΩ Max. at 50VAC  
**INSULATION RESISTANCE:** 100MΩ Min. at 500VAC  
**DIELECTRIC STRENGTH:** 1,500VAC for 1 Minute

### MATERIALS:

**Body:** Polyamide 6/6, UL94 V-2  
**ACTUATOR:** Polyamide 6/6, UL94 V-2  
Polycarbonate, UL94 V-2  
**CONTACTS:** Silver Alloy  
**TERMINALS:** Silver Plated Copper



RR1131100-236



RR1153112S

RR111C1021-116

SPECIFICATIONS SUBJECT TO CHANGE WITHOUT NOTICE

### EXAMPLE PART NUMBERS:

- RR1131100 1P Off-On  
Black Body/Actuator, No Marking
- RR1131121 1P Off-On  
Black Body/Actuator, I/O Vert.
- RR1132200 1P Off-On  
White Body/Actuator, No Marking
- RR111C1000-116 1P Off-On  
Black Body, Red Illum. Actuator, No Marking
- RR111C1100 1P Off-On  
Black Body/Actuator, No Marking
- RR111C1121 1P Off-On  
Black Body/Actuator, I/O Vert.
- RR111C1123 1P Off-On  
Black Body/Actuator, ON/OFF Vert.
- RR111C1921 1P Off-On  
Black Body, Red Actuator, I/O Vert.
- RR111C2211 1P Off-On  
White Body/Actuator, I/O Vert.

Series	Terminal	Function	Rating	Body Color	Actuator Color	Marking Color	Marking Type	Lens Style	Lens Color	Lamp Voltage
RR1 - Standard Body	1 - 4.8mm Tab (Small Hole) 5 - Solder	1 - Off-On (*) 3 - On-On 5 - On-Off-On	3 - 10A 125VAC C - 16A 125VAC	1 - Black 2 - White 3 - Almond 4 - Grey 5 - Orange 7 - Blue 8 - Green 9 - Red	0 - Full Illum. 1 - Black 2 - White 3 - Almond 4 - Grey 5 - Orange 7 - Blue 8 - Green 9 - Red	0 - None 1 - Black 2 - White 8 - Red	0 - None 1 - I/O Vert. 2 - ON/OFF/ON Vert. 3 - ON/OFF Vert. 4 - ON/OFF Horiz. 9 - I/O/II Horiz. S - I/O/II Vert. R - I/O Horiz.	1 - Full 2 - Round	0 - Clear 1 - Red 2 - Amber 3 - Green 4 - Blue	3 - 6V 4 - 12V 6 - 125V 7 - 250V

Note:  
\* = Option Available with Illumination

Custom Colors and Markings Available Upon Request For Illuminated Switches Only



## Looking for pricing, stock, or lifecycle information?

Click below to explore more details on WIN SOURCE:

 [View RR113C1100 on WIN SOURCE](#)

 [E-SWITCH](#) Information

## Optimize Your Supply Chain with WIN SOURCE Solutions

-  Global Sourcing Solution
-  Obsolete Management
-  Cost Control Management
-  Shortage Management
-  Alternative Solution
-  Excess Inventory Management