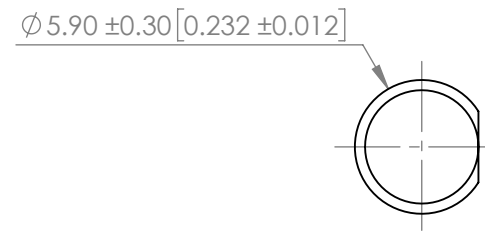




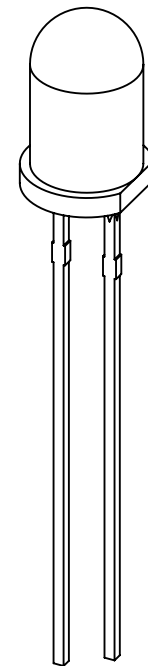
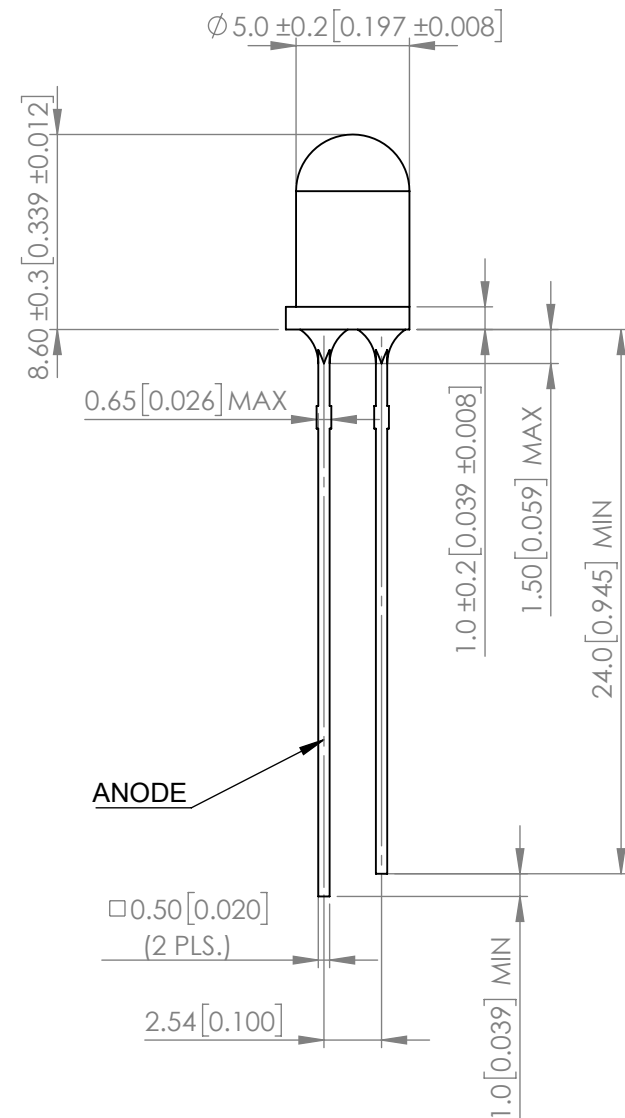
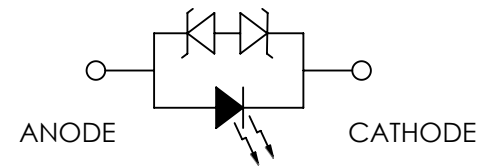
**THE DATASHEET OF
SSL-LX5093UWW**



PART NUMBER		SSL-LX5093UWW	REV	D
REV	E.C.N. NUMBER AND REVISION COMMENTS			DATE
A	E.C.N. #11283.			1.6.06
B	E.C.N. #11148			10.27.06
C	E.C.N. #11573			7.1.09
D	ECN-Lumex201700014			05.10.17



POLARITY



ELECTRO-OPTICAL CHARACTERISTIC TA=25°C

PARAMETER	MIN	TYP	MAX	UNITS	TEST COND
FORWARD VOLTAGE	-	3.2	-	Vf	If=20mA
REVERSE VOLTAGE	-	-	5	Vr	Ir=50uA
LUMINOUS INTENSITY	1800	-	3600	mcd	If=20mA
CHROMATICITY COORDINATES(*2)	X	0.30	-	-	If=20mA
	Y	0.29	-	-	
VIEWING ANGLE	-	70	-	2x theta 1/2	If=20mA
EMITTED COLOR	WHITE				
EPOXY LENS FINISH	MILKY WHITE DIFFUSED				

- *1.AXIAL INTENSITY TESTING CONDITION: 550nm WAVELENGTH.
- *2.THE ICI STANDARD COLORIMETRIC SYSTEM.

ABSOLUTE MAXIMUM RATINGS TA=25°C

PARAMETER	MAX	UNITS
PEAK FORWARD CURRENT*	100	mA
FORWARD CURRENT	30	mA
POWER DISIPATION	110	mW
OPERATING TEMPERATURE	-40 TO +85	°C
STORAGE TEMPERATURE	-40 TO +100	°C
SOLDERING TEMPERATURE	3 SEC. MAX @ 260	°C

*t<10us

CAUTION : STATIC DEVICE
FOLLOW PROPER E.S.D. HANDING PROCEDURES
WHEN WORKING WITH THIS PART

*UNLESS OTHERWISE SPECIFIED TOLERANCES PER DECIMAL PRECISION ARE: X=±1 (±0.039), X.X=±0.5 (±0.020), X.XX=±0.25 (±0.010), X.XXX=±0.127 (±0.005). LEAD SIZE=±0.05 (±0.002), LEAD LENGTH=±0.75 (±0.030). MIN= ^{+DECIMAL PRECISION}/_{-0.00} MAX= ^{+0.00}/_{-DECIMAL PRECISION}

Looking for pricing, stock, or lifecycle information?

Click below to explore more details on WIN SOURCE:

- ⊖ [View SSL-LX5093UWW on WIN SOURCE](#)
- ⊖ [Lumex Opto/Components Inc. Information](#)

Optimize Your Supply Chain with WIN SOURCE Solutions

- ✓ Global Sourcing Solution
- ✓ Obsolete Management
- ✓ Cost Control Management
- ✓ Shortage Management
- ✓ Alternative Solution
- ✓ Excess Inventory Management