



**THE DATASHEET OF  
WA04P009XCTL**



# APPROVAL SHEET

**WA04P**

**$\pi$  type chip attenuator**

50 $\Omega$ , 0dB, 0.5dB to 20dB

Size 1.0 x 1.0 mm

## FEATURE

1. Unbalanced  $\pi$  type attenuator circuit in one chip (1.0mm x 1.0mm)
2. Mounting occupation area reduction
3. Mounting assembly cost saving

## APPLICATION

- Attenuation, level control, impedance matching of high frequency signals of communication equipment;
- Mobile phone (GSM, CDMA, PDC, etc,...)
- Telecom

## DESCRIPTION

The attenuator is constructed in a high grade ceramic body (aluminum oxide). Internal circuit is applied to the top surface of the substrate, and its design determines the required attenuation value. The attenuation layer is covered with a protective coating and a rectangular marker indicates input pin1 as shown in circuit configuration.

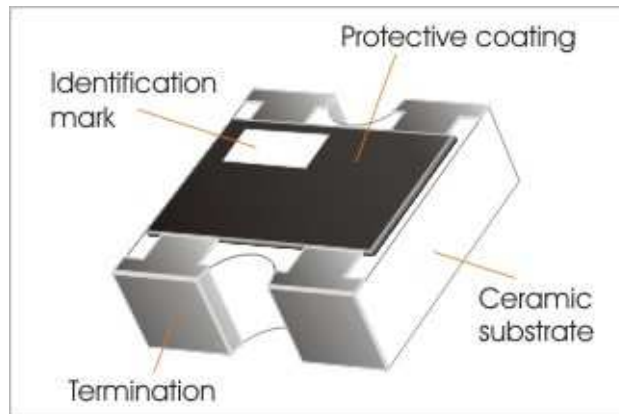
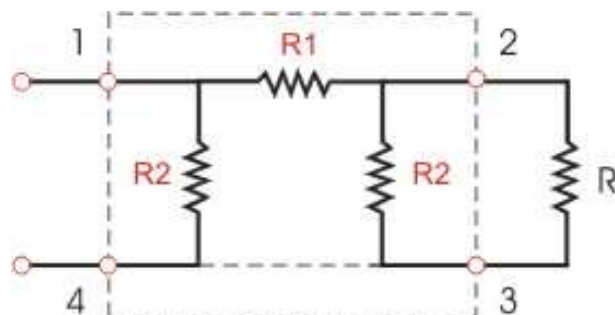


Fig 1. Outline of WA04P Chip attenuator

## CIRCUIT CONFIGURATION

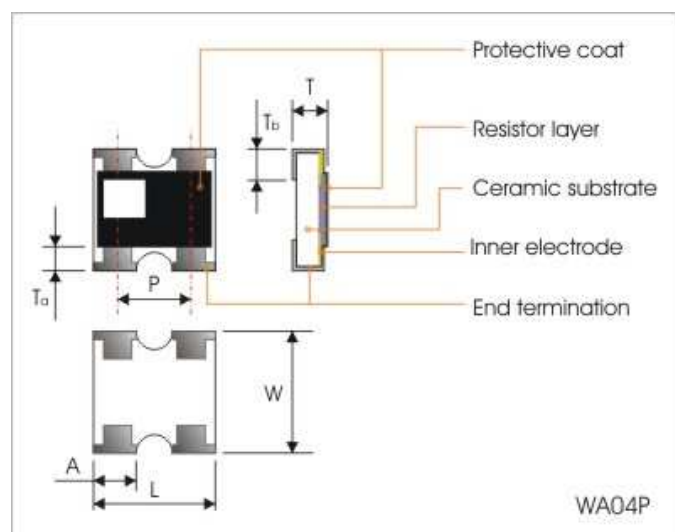


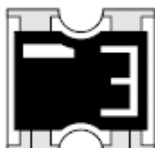
**QUICK REFERENCE DATA**

Item	General Specification
Series No.	WA04P(Convex type)
Size	1.0 x 1.0 mm
Attenuation Range	0dB, 0.5 dB ~ 20dB
Attenuation Tolerance	
0dB	-
0.5 dB	±0.1dB
1dB ~ 5dB	±0.3dB
6dB ~ 10dB	±0.4dB
11dB ~ 13dB	±0.8dB
14dB	±1.0dB
15 ~ 16dB	±1.5dB
17 ~ 19dB	±2.0dB
20dB	±2.5dB
Characteristic impedance	50Ω
Rated power at $T_{amb}=70^{\circ}\text{C}$	0.1 W / package
Limiting voltage (DC)	50V
Frequency range (DC)	Max. 3GHz
VSWR (Voltage Standing Wave Ratio)	Max. 1.2
Number of Resistors	3 resistors
Number of Terminals	4 terminals
category temperature range	-40 ~ +125

**DIMENSIONS(mm)**

	<b>WA04P</b>
<b>L</b>	1.00 ± 0.10
<b>W</b>	1.00 +0.10 / -0
<b>T</b>	0.35 ± 0.10
<b>P</b>	0.65 ± 0.10
<b>A</b>	0.33 ± 0.10
<b>Ta</b>	0.15 ± 0.10
<b>Tb</b>	0.25 ± 0.10

**MARKING**



code	0	X	1	Y	2	3	4	5	6	7	8	9	A	B	C	D	E	F	G	H	J	K	L
dB	0	0 . 5	1	1 . 5	2	3	4	5	6	7	8	9	1 0	1 1	1 2	1 3	1 4	1 5	1 6	1 7	1 8	1 9	2 0

**FUNCTIONAL DESCRIPTION**

Product characterization

Standard attenuation values include 0, 0.5dB to 20dB with a tolerance as defined in quick reference data.

**CATALOGUE NUMBERS AND PACKAGING**

The attenuators have a catalogue number starting with .

WA04	P	001	X	B	T	L
<b>Size code</b> WA04 : 0402 per element	<b>Type code</b> P : convex, $\pi$ type attenuator	<b>Attenuation code</b> 000 = 0dB 001 = 1dB 005 = 5dB 010 = 10dB 020 = 20dB R05 = 0.5dB R15 = 1.5dB	<b>Impedance</b> X : 50 $\Omega$	<b>Tolerance</b> A : $\pm 0.1$ dB B : $\pm 0.3$ dB C : $\pm 0.4$ dB D : $\pm 0.8$ dB E : $\pm 1.0$ dB F : $\pm 1.5$ dB G : $\pm 2.0$ dB H : $\pm 2.5$ dB P : -	<b>Packaging code</b> T : 7" reel taped	<b>Termination code</b> L = Sn base (lead free)

Packaging : 8mm width paper taping 10,000pcs per reel.

**SOLDERING CONDITION**

The robust construction of chip resistors allows them to be completely immersed in a solder bath of 260°C for 10 seconds. Therefore, it is possible to mount Surface Mount Resistors on one side of a PCB and other discrete components on the reverse (mixed PCBs).

Surface Mount Resistors are tested for solderability at 235°C during 2 seconds. The test condition for no leaching is 260°C for 30 seconds. Typical examples of soldering processes that provide reliable joints without any damage are given in Fig 3.

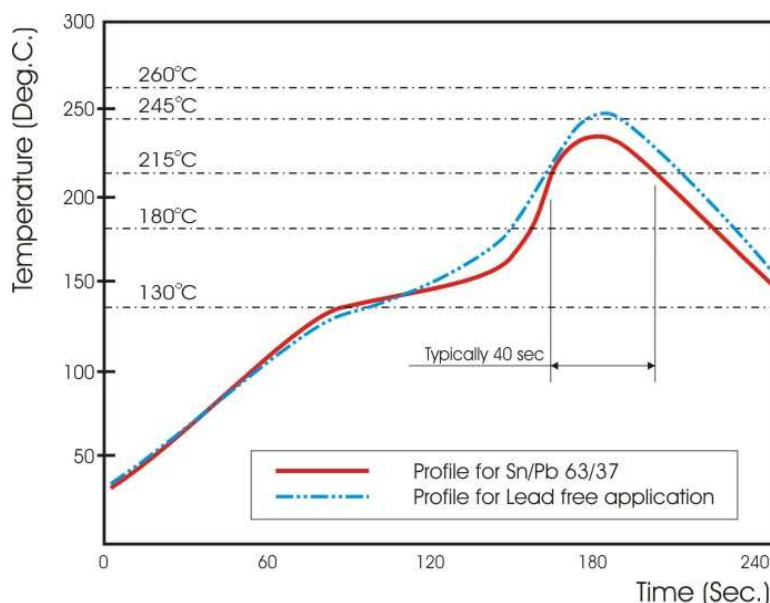
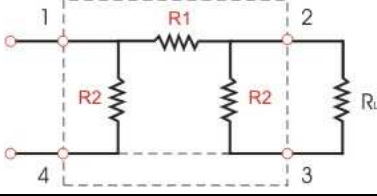


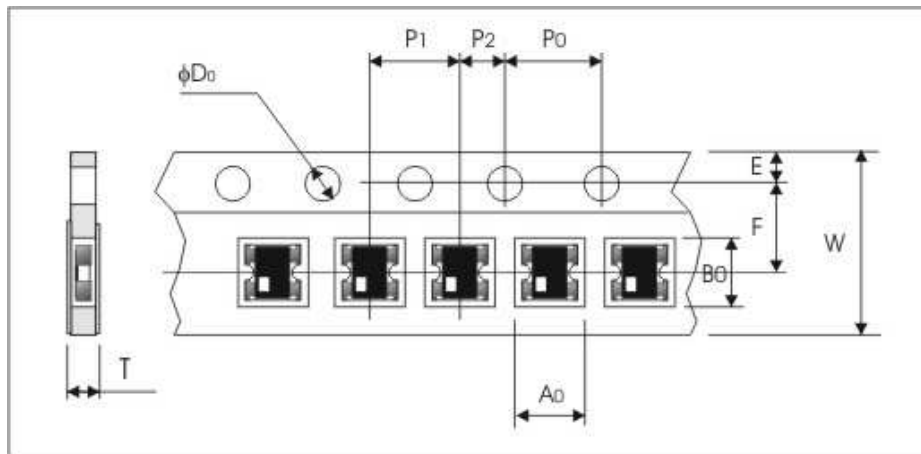
Fig 3. Infrared soldering profile

## TEST AND REQUIREMENTS (JIS C 5201-1 : 1998)

TEST	PROCEDURE	REQUIREMENT
Characteristic Impedance	Measuring circuit 	50Ω
Insulation resistance <b>Clause 4.6</b>	Apply the 50VDC for 1minute	At least 100MΩ
Solderability <b>Clause 4.17</b>	Un-mounted chips completely immersed for 2±0.5 second in a SAC solder bath at 235°C±5°C	good tinning (>95% covered) no visible damage
Resistance to soldering heat(R.S.H) <b>Clause 4.18</b>	Un-mounted chips completely immersed for 10±1 second in a SAC solder bath at 260°C±5°C	no visible damage Attenuation 0.5~ 2dB : within ±0.1dB Attenuation 3~ 5dB : within ±0.2dB Attenuation 6~ 20dB : within ±0.3dB
Temperature cycling <b>Clause 4.19</b>	30 minutes at -55°C±3°C, 2~3 minutes at 20°C+5°C-1°C, 30 minutes at +125°C±3°C, 2~3 minutes at 20°C+5°C-1°C, total 5 continuous cycles	no visible damage Attenuation 0.5~ 2dB : within ±0.1dB Attenuation 3~ 5dB : within ±0.2dB Attenuation 6~ 20dB : within ±0.3dB
Load life (endurance) <b>Clause 4.25</b>	1000 +48/-0 hours, loaded with RCWV or Vmax in chamber controller 85±2°C, 1.5 hours on and 0.5 hours off	no visible damage Attenuation 0.5~ 2dB : within ±0.1dB Attenuation 3~ 5dB : within ±0.2dB Attenuation 6~ 20dB : within ±0.3dB
Dielectric Withstand Voltage <b>Clause 4.7</b>	Apply the maximum overload voltage (AC) for 1 minute	No breakdown or flashover

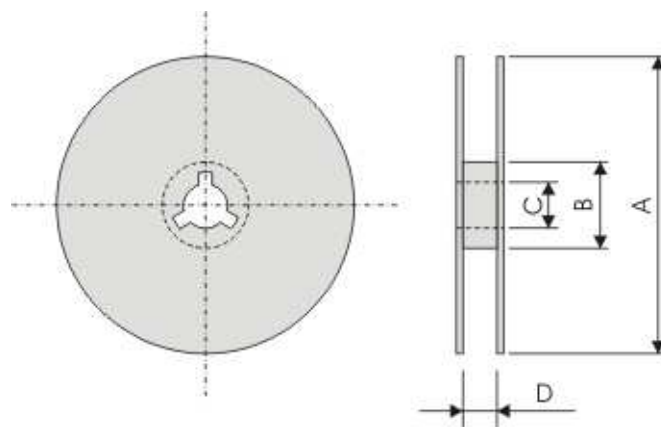
**PACKAGING**

Paper Tape specifications (unit :mm)



	A0	B0	W	F	E
(mm)	1.20±0.05	1.20±0.05	8.00±0.20	3.50±0.05	1.75±0.10
	P1	P2	P0	$\phi D_0$	T
(mm)	2.00±0.10	2.00±0.05	4.00±0.10	1.50 <sup>+0.10</sup> <sub>-0</sub>	0.45±0.10

**Reel dimensions**



Symbol	A	B	C	D
(unit : mm)	$\phi 178.0 \pm 2.0$	$\phi 60.0 \pm 1.0$	13.0±0.2	9.0±0.5

## Looking for pricing, stock, or lifecycle information?

Click below to explore more details on WIN SOURCE:

- ⊖ [View WA04P009XCTL on WIN SOURCE](#)
- ⊖ [Walsin Technology Corporation Information](#)

## Optimize Your Supply Chain with WIN SOURCE Solutions

- ✓ Global Sourcing Solution
- ✓ Obsolete Management
- ✓ Cost Control Management
- ✓ Shortage Management
- ✓ Alternative Solution
- ✓ Excess Inventory Management