

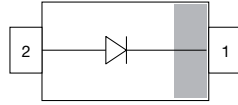
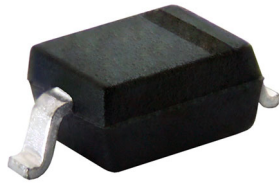


**THE DATASHEET OF  
BAV19WS-E3-18**





## Small Signal Switching Diodes, High Voltage



### FEATURES

- Silicon epitaxial planar diodes
- For general purpose
- AEC-Q101 qualified available
- Molding compound meets UL 94 V-0 flammability rating
- Moisture sensitivity level (MSL) 1
- Base P/N-E3 - RoHS-compliant, commercial grade
- Base P/N-HE3\_A - RoHS-compliant, AEC-Q101 qualified
- Material categorization: for definitions of compliance please see [www.vishay.com/doc?99912](http://www.vishay.com/doc?99912)



### LINKS TO ADDITIONAL RESOURCES



### MECHANICAL DATA

Case: SOD-323

Weight: approx. 4 mg

Packaging codes / options:

18/10K per 13" reel (8 mm tape), 10K/box

08/3K per 7" reel (8 m tape), 15K/box

PARTS TABLE							
PART	TYPE DIFFERENTIATION	ORDERING CODE	AEC-Q101 QUALIFIED	TYPE MARKING	CIRCUIT CONFIGURATION	TAPED UNITS PER REEL	MINIMUM ORDER QUANTITY
BAV19WS	V <sub>R</sub> = 100 V	BAV19WS-E3-08	No	8A	Single	3 000 (8 mm tape on 7" reel)	15 000
		BAV19WS-HE3_A-08	Yes				
		BAV19WS-E3-18	No			10 000 (8 mm tape on 13" reel)	10 000
		BAV19WS-HE3_A-18	Yes				
BAV20WS	V <sub>R</sub> = 150 V	BAV20WS-E3-08	No	9A	Single	3 000 (8 mm tape on 7" reel)	15 000
		BAV20WS-HE3_A-08	Yes				
		BAV20WS-E3-18	No			10 000 (8 mm tape on 13" reel)	10 000
		BAV20WS-HE3_A-18	Yes				
BAV21WS	V <sub>R</sub> = 200 V	BAV21WS-E3-08	No	7A	Single	3 000 (8 mm tape on 7" reel)	15 000
		BAV21WS-HE3_A-08	Yes				
		BAV21WS-E3-18	No			10 000 (8 mm tape on 13" reel)	10 000
		BAV21WS-HE3_A-18	Yes				

ABSOLUTE MAXIMUM RATINGS (T <sub>amb</sub> = 25 °C, unless otherwise specified)					
PARAMETER	TEST CONDITION	PART	SYMBOL	VALUE	UNIT
Continuous reverse voltage		BAV19WS	V <sub>R</sub>	100	V
		BAV20WS	V <sub>R</sub>	150	V
		BAV21WS	V <sub>R</sub>	200	V
Repetitive peak reverse voltage		BAV19WS	V <sub>RRM</sub>	120	V
		BAV20WS	V <sub>RRM</sub>	200	V
		BAV21WS	V <sub>RRM</sub>	250	V
DC Forward current <sup>(1)</sup>			I <sub>F</sub>	225	mA
Rectified current (average) half wave rectification with resist. load <sup>(1)</sup>			I <sub>F(AV)</sub>	200	mA
Repetitive peak forward current <sup>(1)</sup>	f ≥ 50 Hz, θ = 180°		I <sub>FRM</sub>	625	mA
Surge forward current	t < 1 s, T <sub>j</sub> = 25 °C		I <sub>FSM</sub>	1	A
Power dissipation <sup>(1)</sup>			P <sub>tot</sub>	200	mW

### Note

<sup>(1)</sup> Infinite heatsink



<b>THERMAL CHARACTERISTICS</b> ( $T_{amb} = 25\text{ }^{\circ}\text{C}$ , unless otherwise specified)				
PARAMETER	TEST CONDITION	SYMBOL	VALUE	UNIT
Thermal resistance junction to lead	Infinite heat sink	$R_{thJL}$	625	K/W
Junction temperature		$T_j$	150	$^{\circ}\text{C}$
Storage temperature range		$T_{stg}$	-65 to +150	$^{\circ}\text{C}$
Operating temperature range		$T_{op}$	-55 to +150	$^{\circ}\text{C}$

<b>ELECTRICAL CHARACTERISTICS</b> ( $T_{amb} = 25\text{ }^{\circ}\text{C}$ , unless otherwise specified)						
PARAMETER	TEST CONDITION	PART	SYMBOL	TYP.	MAX.	UNIT
Forward voltage	$I_F = 100\text{ mA}$		$V_F$		1	V
	$I_F = 200\text{ mA}$		$V_F$		1.25	V
Leakage current	$V_R = 100\text{ V}$	BAV19WS	$I_R$		100	nA
	$V_R = 100\text{ V}, T_j = 100\text{ }^{\circ}\text{C}$	BAV19WS	$I_R$		15	$\mu\text{A}$
	$V_R = 150\text{ V}$	BAV20WS	$I_R$		100	nA
	$V_R = 150\text{ V}, T_j = 100\text{ }^{\circ}\text{C}$	BAV20WS	$I_R$		15	$\mu\text{A}$
	$V_R = 200\text{ V}$	BAV21WS	$I_R$		100	nA
	$V_R = 200\text{ V}, T_j = 100\text{ }^{\circ}\text{C}$	BAV21WS	$I_R$		15	$\mu\text{A}$
Dynamic forward resistance	$I_F = 10\text{ mA}$		$r_f$	5		$\Omega$
Diode capacitance	$V_R = 0, f = 1\text{ MHz}$		$C_D$		1.5	pF
Reverse recovery time	$I_F = 30\text{ mA}, I_R = 30\text{ mA}, i_R = 3\text{ mA}, R_L = 100\text{ }\Omega$		$t_{rr}$		50	ns



## TYPICAL CHARACTERISTICS ( $T_{amb} = 25\text{ }^{\circ}\text{C}$ , unless otherwise specified)

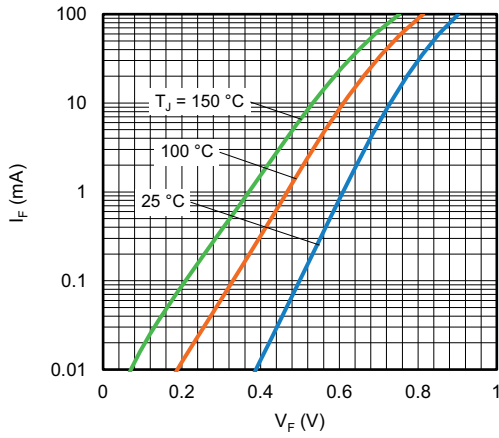


Fig. 1 - Typical Forward Current vs. Forward Voltage

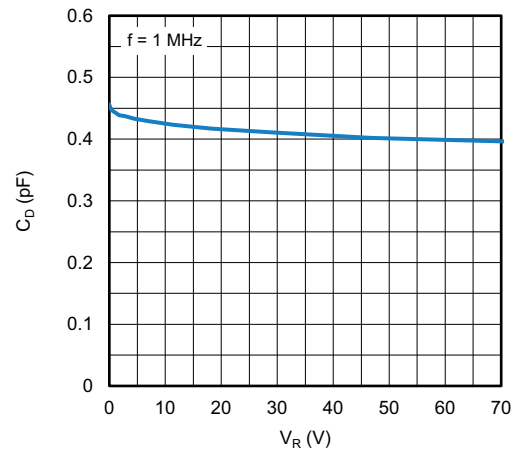


Fig. 3 - Typical Capacitance vs. Reverse Voltage

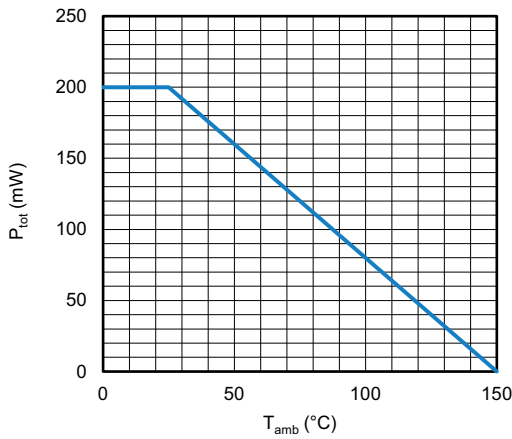


Fig. 2 - Admissible Power Dissipation vs. Ambient Temperature

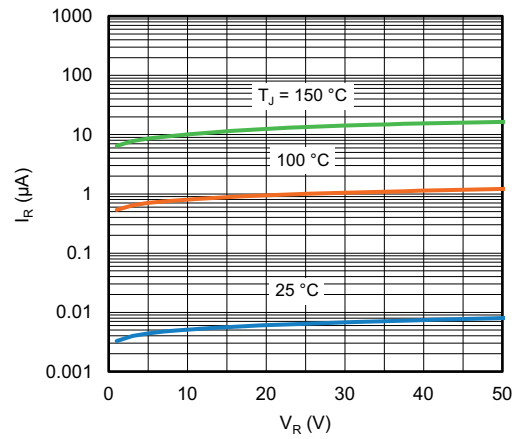
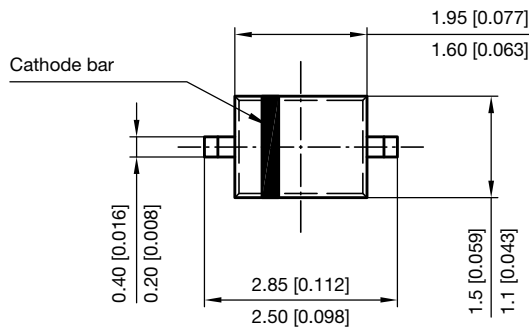
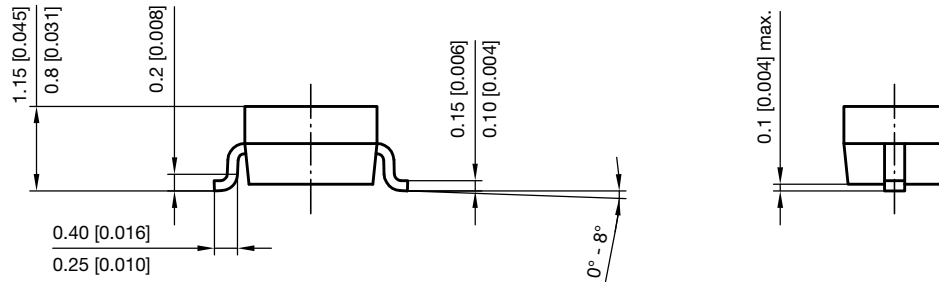


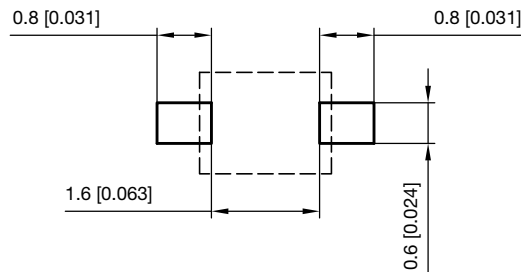
Fig. 4 - Typical Reverse Leakage Current vs. Reverse Voltage



## PACKAGE DIMENSIONS in millimeters (inches) SOD-323



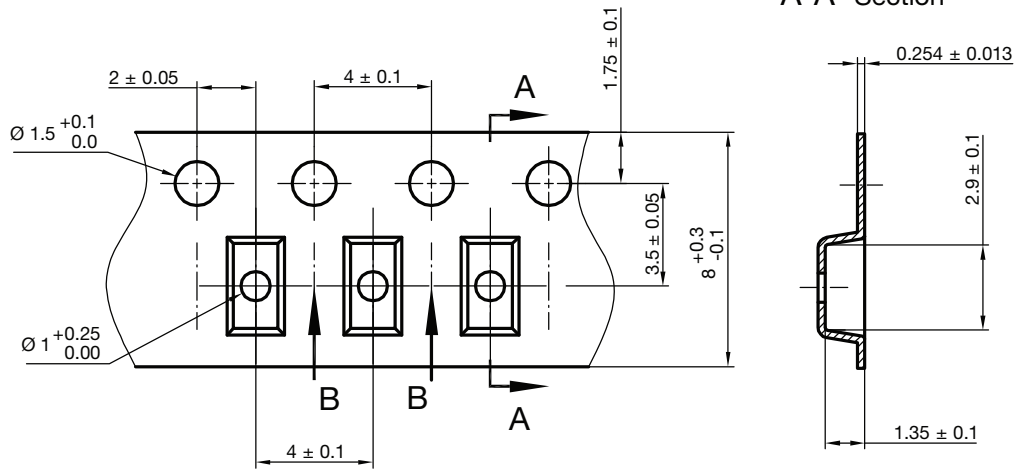
Footprint recommendation:



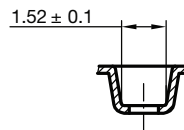
Document no.: S8-V-3910.02-001 (4)  
 Created - Date: 24.August.2004  
 Rev. 6 - Date: 23.Sept.2016  
 22771



## CARRIER TAPE SOD-323

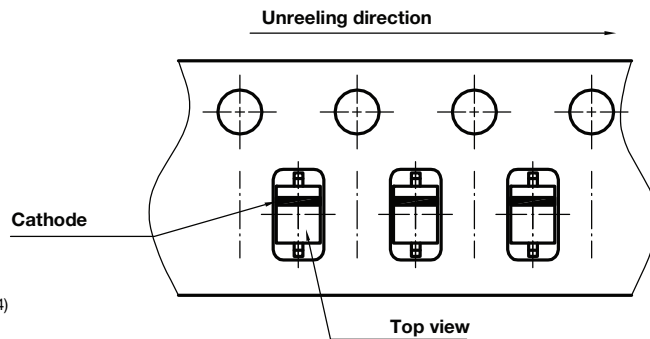


### B-B Section



Document no.: S8-V-3717.07-002 (4)  
 Created - Date: 09. Feb. 2010  
 22824

## ORIENTATION IN CARRIER TAPE SOD-323



Document no.: S8-V-3717.07-003 (4)  
 Created - Date: 09. Feb. 2010  
 22772



## **Disclaimer**

ALL PRODUCT, PRODUCT SPECIFICATIONS AND DATA ARE SUBJECT TO CHANGE WITHOUT NOTICE TO IMPROVE RELIABILITY, FUNCTION OR DESIGN OR OTHERWISE.

Vishay Intertechnology, Inc., its affiliates, agents, and employees, and all persons acting on its or their behalf (collectively, "Vishay"), disclaim any and all liability for any errors, inaccuracies or incompleteness contained in any datasheet or in any other disclosure relating to any product.

Vishay makes no warranty, representation or guarantee regarding the suitability of the products for any particular purpose or the continuing production of any product. To the maximum extent permitted by applicable law, Vishay disclaims (i) any and all liability arising out of the application or use of any product, (ii) any and all liability, including without limitation special, consequential or incidental damages, and (iii) any and all implied warranties, including warranties of fitness for particular purpose, non-infringement and merchantability.

Statements regarding the suitability of products for certain types of applications are based on Vishay's knowledge of typical requirements that are often placed on Vishay products in generic applications. Such statements are not binding statements about the suitability of products for a particular application. It is the customer's responsibility to validate that a particular product with the properties described in the product specification is suitable for use in a particular application. Parameters provided in datasheets and / or specifications may vary in different applications and performance may vary over time. All operating parameters, including typical parameters, must be validated for each customer application by the customer's technical experts. Product specifications do not expand or otherwise modify Vishay's terms and conditions of purchase, including but not limited to the warranty expressed therein.

Hyperlinks included in this datasheet may direct users to third-party websites. These links are provided as a convenience and for informational purposes only. Inclusion of these hyperlinks does not constitute an endorsement or an approval by Vishay of any of the products, services or opinions of the corporation, organization or individual associated with the third-party website. Vishay disclaims any and all liability and bears no responsibility for the accuracy, legality or content of the third-party website or for that of subsequent links.

Vishay products are not designed for use in life-saving or life-sustaining applications or any application in which the failure of the Vishay product could result in personal injury or death unless specifically qualified in writing by Vishay. Customers using or selling Vishay products not expressly indicated for use in such applications do so at their own risk. Please contact authorized Vishay personnel to obtain written terms and conditions regarding products designed for such applications.

No license, express or implied, by estoppel or otherwise, to any intellectual property rights is granted by this document or by any conduct of Vishay. Product names and markings noted herein may be trademarks of their respective owners.

## Looking for pricing, stock, or lifecycle information?

Click below to explore more details on WIN SOURCE:

 [View BAV19WS-E3-18 on WIN SOURCE](#)

 [Vishay Information](#)

## Optimize Your Supply Chain with WIN SOURCE Solutions

-  Global Sourcing Solution
-  Obsolete Management
-  Cost Control Management
-  Shortage Management
-  Alternative Solution
-  Excess Inventory Management