



# THE DATASHEET OF KSC521J ROHS



# KSC5 Series

Sealed Tactile Switch for SMT 6.2 x 6.2 mm, with 5.6 mm Height Hard Actuator and Rocker Option



## Description

The KSC5 series tact switches with rocker option for SMT are designed to be smaller and more flexible than many other switch technologies. They are used mostly in industrial, consumer and automotive applications, give users a positive adaptable tactile feeling and are IP50 rated, 5.6mm hard actuator switches.

## Features & Benefits

- Positive adaptable tactile feeling
- Hard actuator 5.6mm high
- IP50

## Applications

- Industrial electronics
- Consumer products
- Automotive

## Specifications

<b>Function</b>	Momentary action
<b>Contact Arrangement</b>	1 make contact = SPST, N.O.
<b>Terminals</b>	J bend & Gullwing type for SMT
<b>Sealing</b>	IP50
<b>Packaging</b>	Switches delivered on continuous tape & reels of 1,000 pieces, dimensions according to EIA RS-481/ IEC 60286-3 standard External diameter 330 ± 2 mm

## Electrical Characteristics

	Silver	Gold
<b>Max. Power</b>	1 VA	0.2 VA
<b>Max. Voltage</b>	32 VDC	32 VDC
<b>Min. Voltage</b>	20 mV	20 mV
<b>Max. Current</b>	50 mA	10 mA
<b>Min. Current</b>	1 mA	0.1 mA
<b>Dielectric Strength</b>	(50 Hz, 1 min.): ≥ 250 Vrms	
<b>Contact Resistance</b>	≤ 100 mΩ	
<b>Insulation Resistance</b>	(100 V): ≥ 1 000 MΩ	
<b>Bounce Time</b>	≤ 1 ms	

## Environmental Characteristics

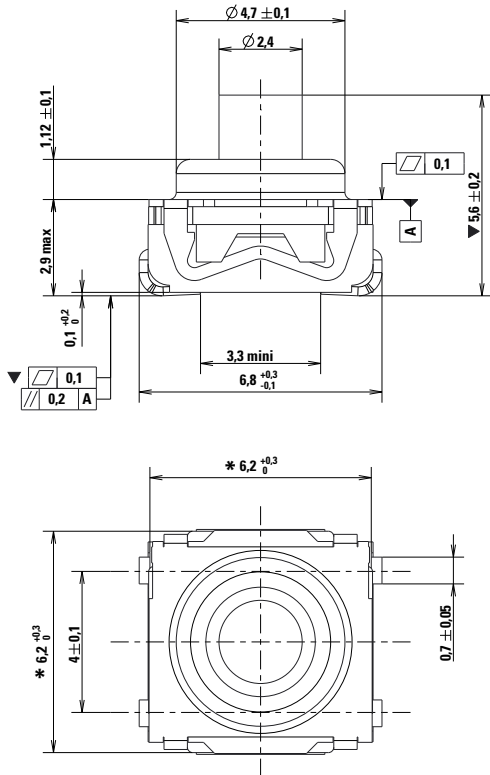
	Silver	Gold
<b>Operating Temperature</b>	-40°C to 85°C	-40°C to 125°C
<b>Storage Temperature</b>	-55°C to 85°C	-55°C to 125°C

# KSC5 Series

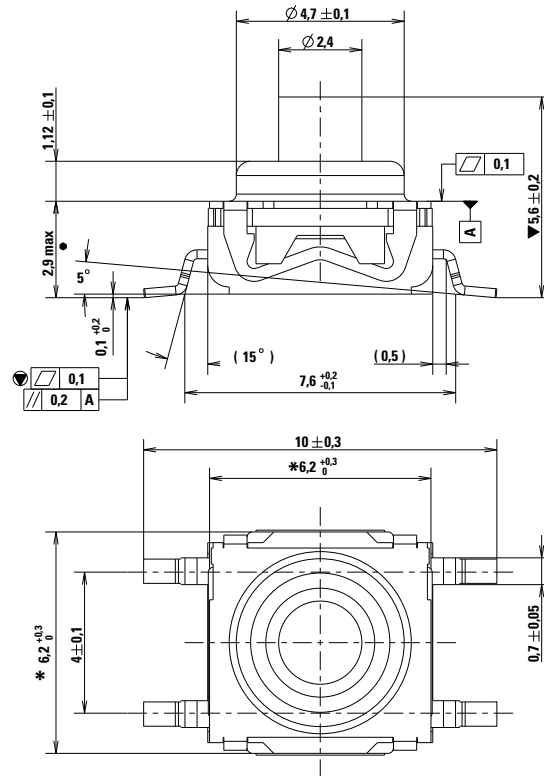
Sealed Tactile Switch for SMT 6.2 x 6.2 mm, with 5.6 mm Height Hard Actuator and Rocker Option



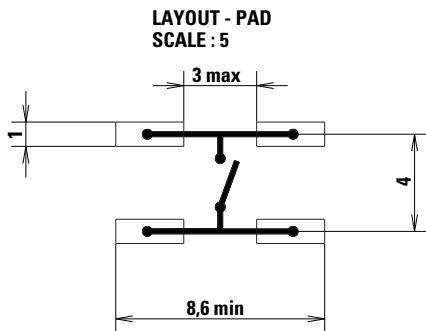
J Dimensions (mm)



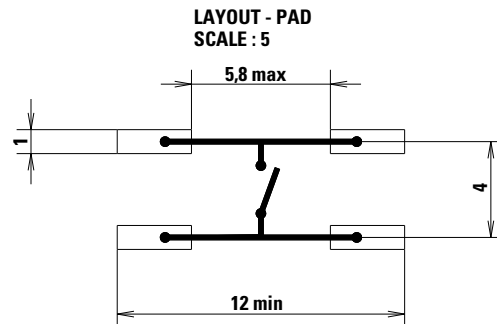
G Dimensions (mm)



Pad Layout for J Versions



Pad Layout for G Versions



# KSC5 Series

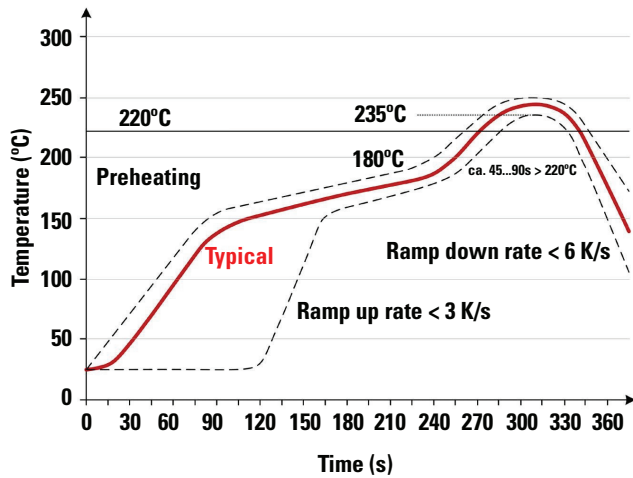
Sealed Tactile Switch for SMT 6.2 x 6.2 mm, with 5.6 mm Height Hard Actuator and Rocker Option



## Mechanical Characteristics

Part #	Operating Force axial FA N (grams)	Operating Force Lateral FL N (grams) ±30%	Travel to Make Axial (mm)	Travel to Make Lateral (mm)	Life Expectancy Cycles, Axial	Life Expectancy Cycles, Lateral
KSC521	2 ± 0.5	1.2 - 2.6	0.25 ± 0.15	0.5 ± 0.25	100,000	10,000
KSC541	3 ± 0.75	1.8 - 3.8	0.25 ± 0.15	0.5 ± 0.25	100,000	10,000

## Soldering Profile



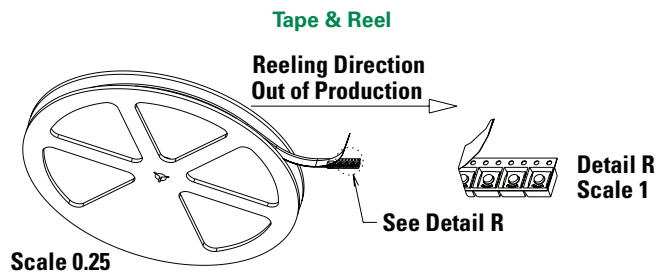
Soldering process: Depending on the application, this component is suited to the following methods:

- Terminals being silver or gold plated over a nickel barrier, the use of slightly activated flux is suitable.
- Lead free soldering process in accordance with the definition on the left.

Note: Up to 2 reflow cycles in accordance with the above temperature profile

# KSC5 Series

Sealed Tactile Switch for SMT 6.2 x 6.2 mm, with 5.6 mm Height Hard Actuator and Rocker Option

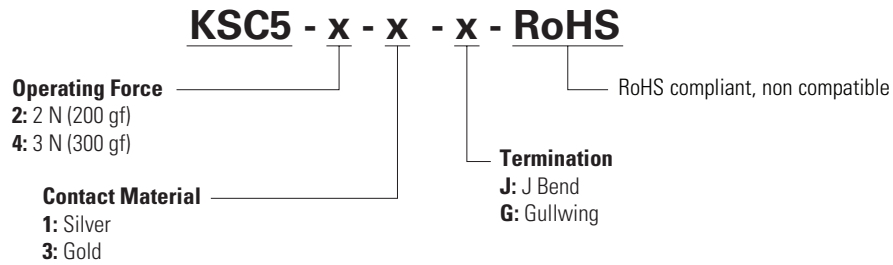


### Packaging Details

Type	Tape & reel
Number of Parts in Packaging	1,000
Other Information	Tape and reel per EIA 481
Transport Conditions	According to specification NF H00-060

### Ordering Number

Our easy build-a-switch concept allows you to mix and match options to create the switch you need. To order, select desired option from each category and place it in the appropriate box. However, please note that not all the combinations of these options are feasible. For any part number different from those listed below, please consult your local representative.



### Liability Limitation

This datasheet does not provide enough information for applications that require a certain level of quality or safety such as automotive, medical systems, or safety equipment. Please contact customer service for the contractual specification package.

**Disclaimer Notice** - Information furnished is believed to be accurate and reliable. However, users should independently evaluate the suitability of and test each product selected for their own applications. Littelfuse products are not designed for, and may not be used in, all applications. Read complete Disclaimer Notice at <http://www.littelfuse.com/disclaimer-electronics>.

## Looking for pricing, stock, or lifecycle information?

Click below to explore more details on WIN SOURCE:

-  [View KSC521J ROHS](#) on WIN SOURCE
-  [C&K Components](#) Information

## Optimize Your Supply Chain with WIN SOURCE Solutions

-  Global Sourcing Solution
-  Obsolete Management
-  Cost Control Management
-  Shortage Management
-  Alternative Solution
-  Excess Inventory Management