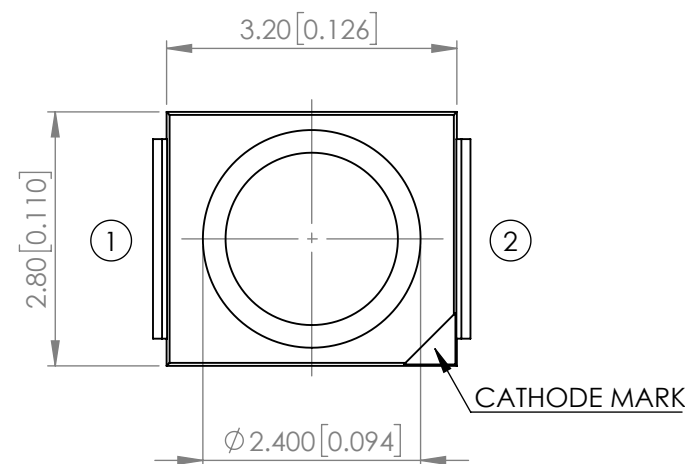




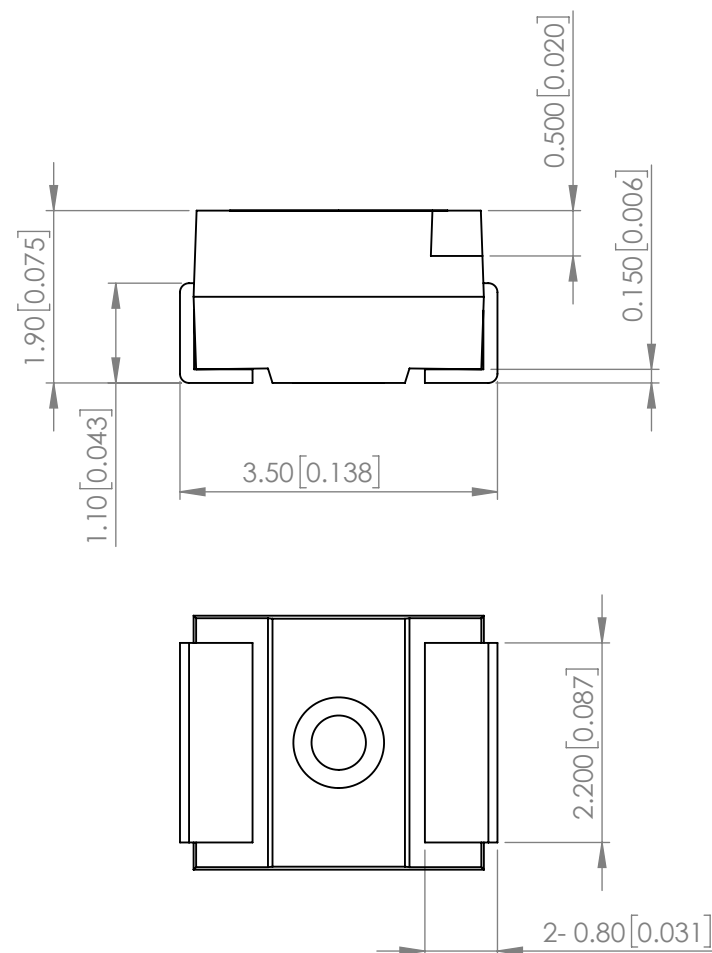
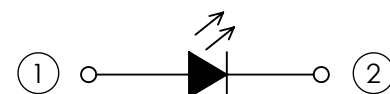
**THE DATASHEET OF  
SML-LX2832SOC-TR**



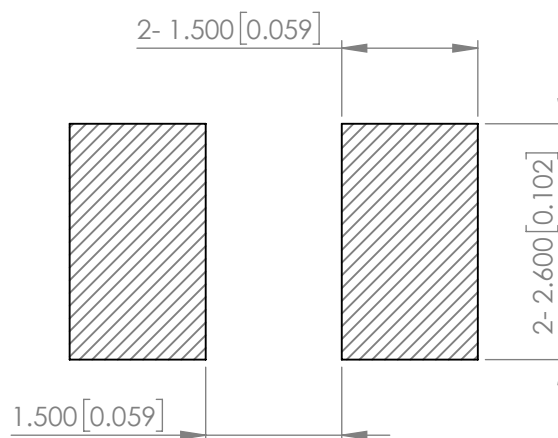
<b>PART NUMBER</b>	SML-LX2832SOC-TR	<b>REV</b>	F
<b>REV</b>	<b>E.C.N NUMBER AND REVISION COMMENTS</b>	<b>DATE</b>	
A	E.C.N. #10967.	03.14.03	
B	E.C.N. #11450.	02.08.05	
C	E.C.N. #11627.	10.16.07	
D	E.C.N. #10BRDR. & REDRAWN / #11812.	04.11.12	
E	E.C.N. #10BRDR.	11.12.12	
F	ECN-Lumex201700133	12.28.17	



**POLARITY**



**RECOMMENDED SOLDER PAD LAYOUT**



**ELECTRO-OPTICAL CHARACTERISTIC TA=25°C**

PARAMETER	MIN	TYP	MAX	UNITS	TEST COND
PEAK WAVELENGTH	-	610	-	nm	If=20mA
FORWARD VOLTAGE	-	2.0	2.4	Vf	If=20mA
REVERSE CURRENT	-	-	10	uA	VR=5V
LUMINOUS INTENSITY	-	55	-	mcd	If=20mA
VIEWING ANGLE	-	120	-	2x theta1/2	-
EMITTED COLOR	ORANGE				
EPOXY LENS FINISH	WATER CLEAR				

**ABSOLUTE MAXIMUM RATINGS TA=25°C**

PARAMETER	MAX	UNITS
PEAK FORWARD CURRENT*	60	mA
FORWARD CURRENT	25	mA
REVERSE VOLTAGE	5	V
POWER DISSIPATION	60	mW
STORAGE TEMPERATURE	-40 TO +100	°C
OPERATING TEMPERATURE	-40 TO +85	°C
SOLDERING TEMPERATURE	3 SEC. MAX @260	°C

\*t<10us

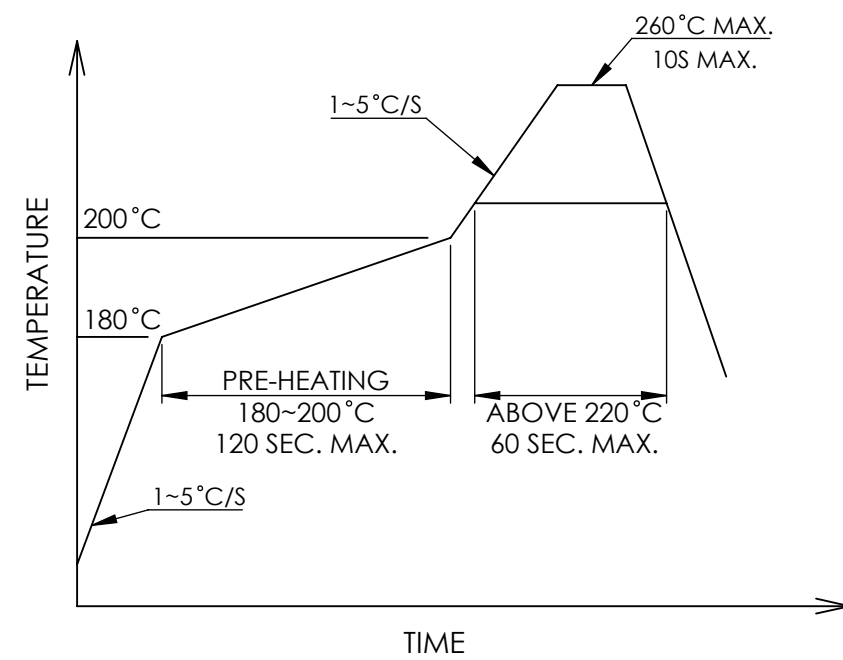
**NOTE:**

1. RoHS COMPLIANT.
2. PACKAGE: 2000 PCS/REEL.

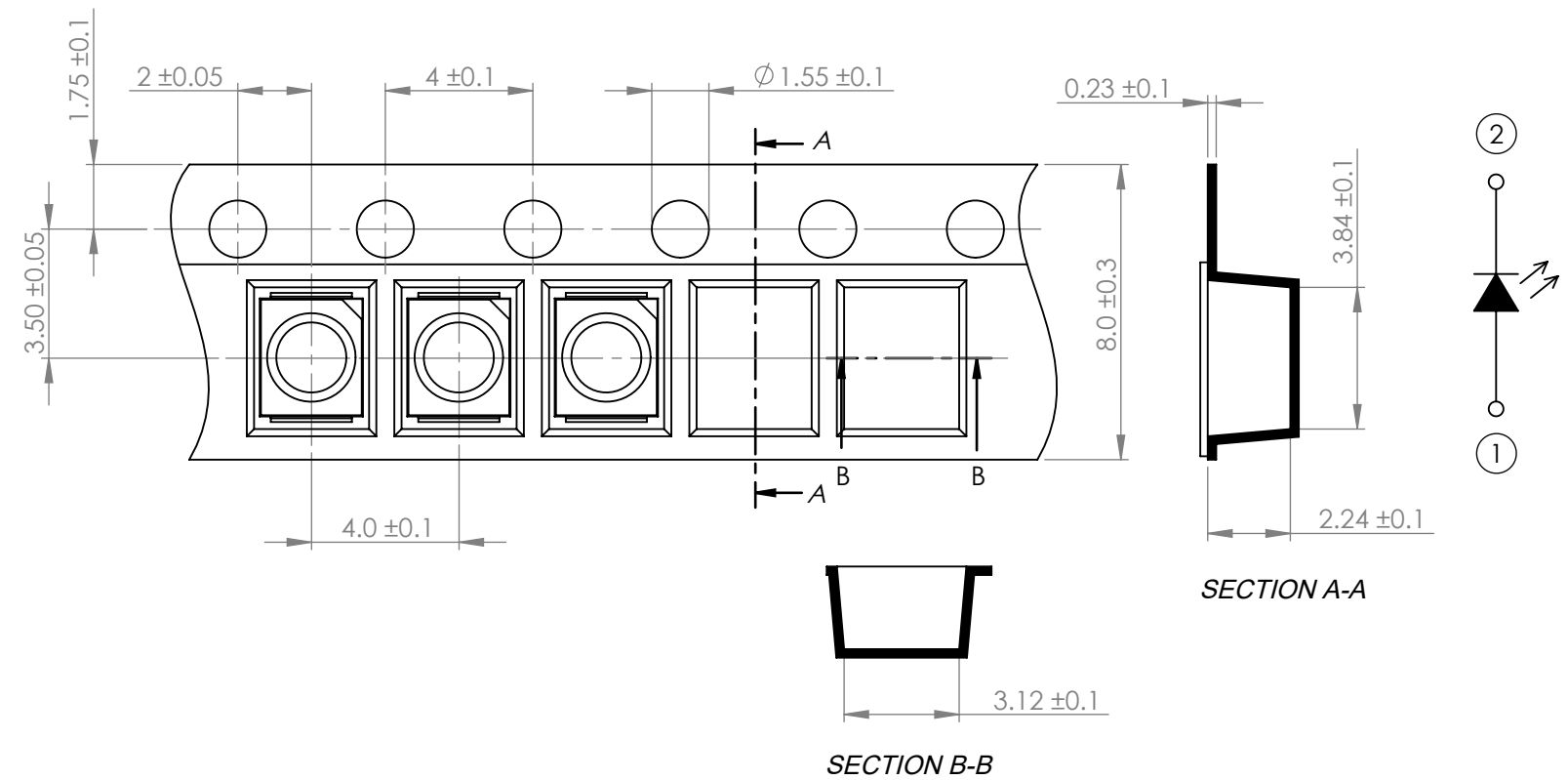
**MOISTURE SENSITIVE DEVICE  
PER JEDEC LEVEL 3 STANDARDS**

\*UNLESS OTHERWISE SPECIFIED TOLERANCES PER DECIMAL PRECISION ARE: X=±1 (±0.039), X.X=±0.5 (±0.020), X.XX=±0.25 (±0.010), X.XXX=±0.127 (±0.005). LEAD SIZE=±0.05 (±0.002), LEAD LENGTH=±0.75 (±0.030). MIN= <sup>+DECIMAL PRECISION</sup>/<sub>-0.00</sub> MAX.= <sup>+0.00</sup>/<sub>-DECIMAL PRECISION</sub>


**PROFILE**



**CARRIER TAPE DIMENSION**



\*UNLESS OTHERWISE SPECIFIED TOLERANCES PER DECIMAL PRECISION ARE: X=±1 (±0.039), X.X=±0.5 (±0.020), X.XX=±0.25 (±0.010), X.XXX=±0.127 (±0.005). LEAD SIZE=±0.05 (±0.002), LEAD LENGTH=±0.75 (±0.030). MIN= <sup>+DECIMAL PRECISION</sup> -0.00 MAX= <sup>+0.00</sup> -DECIMAL PRECISION

 <p>425 N. GARY AVE. CAROL STREAM, IL 60188 PHONE : 800-278-5666 FAX : 630-315-2150 WEB : WWW.LUMEX.COM</p>	<p>3.2(L)*2.8(W)*1.9(H)mm, SURFACE MOUNT TOP VIEW LED, 610 ORANGE, WATER CLEAR LENS, TAPE &amp; REEL.</p>	<p>DATE : 2017.12.28</p>	<p>DRAWN BY : C.C.</p>
	<p><b>**THE SPECIFICATIONS MAY CHANGE AT ANY TIME WITHOUT NOTICE DUE TO NEW MATERIALS OR PRODUCT IMPROVEMENT.**</b></p>	<p>PAGE : 2 OF 2</p>	<p>CHKD BY : E.C.</p>
	<p>CONFIDENTIAL INFORMATION THE INFORMATION CONTAINED IN THIS DOCUMENT IS THE PROPERTY OF LUMEX INC. EXCEPT AS SPECIFICALLY AUTHORIZED IN WRITING BY LUMEX INC., THE HOLDER OF THIS DOCUMENT SHALL KEEP ALL INFORMATION CONTAINED HEREIN CONFIDENTIAL AND SHALL PROTECT SAME IN WHOLE OR IN PART FROM DISCLOSURE AND DISSEMINATION TO ALL THIRD PARTIES.</p>	<p>SCALE : NTF</p>	<p>APRVD BY : G.Y.</p>
	<p>UNIT : mm [INCH]</p>	<p>UNIT : mm [INCH]</p>	<p>⑩</p>

## Looking for pricing, stock, or lifecycle information?

Click below to explore more details on WIN SOURCE:

-  [View SML-LX2832SOC-TR on WIN SOURCE](#)
-  [Lumex Opto/Components Inc. Information](#)

## Optimize Your Supply Chain with WIN SOURCE Solutions

-  Global Sourcing Solution
-  Obsolete Management
-  Cost Control Management
-  Shortage Management
-  Alternative Solution
-  Excess Inventory Management