



**THE DATASHEET OF
ACML-0201-601-T**



SMT Multilayer Chip Bead



ACML-0201 Series

Request Samples



Check Inventory



0.6 x 0.3 x 0.3 mm
RoHS/RoHS II Compliant
MSL Level = 1

Features

- Internal silver printed layers and magnetically shielded to minimize crosstalk.
- Substantial EMI suppression over a wide frequency range.
- Excellent solderability and heat resistance

Applications

- Noise suppression for computers and peripheral devices, DVD cameras, LCD TVs, communication equipment, OA equipment, etc.
- Reduces noise in ultra-high speed signaling circuits as well.

Electrical Specifications

Part Number	Impedance	Tolerance	DC Resistance	Rated Current
	100MHz/50mV		Max	Max
Units	Ω	%	Ω	mA
Symbol	Z		DCR	Ir
ACML-0201-600	60	± 25	0.40	200
ACML-0201-800	80	± 25	0.60	200
ACML-0201-121	120	± 25	0.80	200
ACML-0201-241	240	± 25	1.00	200
ACML-0201-471	470	± 25	1.40	200
ACML-0201-601	600	± 25	1.70	200

Test Conditions and equipments

Z: High Accuracy RF Impedance/Material Analyzer -E4991A, 100MHz, -20dBm or 50mV

DCR: High Accuracy Milliohmmeter –HP4338B

Ir: Electric Power Supply, Electric Current Meter, Thermometer. $\Delta T \leq 20^{\circ}\text{C}$

Unless otherwise specified, the standard atmospheric conditions for measurement/test as:

- a. Ambient Temperature: $20 \pm 15^{\circ}\text{C}$
- b. Relative Humidity: $65\% \pm 20\%$
- c. Air Pressure: 86 KPa to 106 KPa

Visual Examination

- a. Inspection Equipment: Microscope, 20X magnification

ACML-0201 Series is RoHS Compliant and Pb free

Operating Temperature: $-55^{\circ}\text{C} \sim +125^{\circ}\text{C}$

Storage Temperature (on PCB): $-55^{\circ}\text{C} \sim +125^{\circ}\text{C}$

Storage Temperature (in original packaging): $-10^{\circ}\text{C} \sim +40^{\circ}\text{C}$, 70 RH maximum.



5101 Hidden Creek Ln, Spicewood TX 78669
Phone: 512-371-6159 Fax: 512-351-8858
For terms and conditions of sales, please visit:
www.abracon.com

REVISION B : 10/28/2024

ABRACON IS
ISO9001-2015
CERTIFIED

SMT Multilayer Chip Bead



ACML-0201 Series

Request Samples

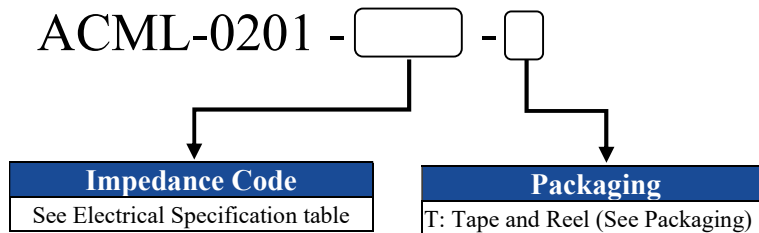


Check Inventory

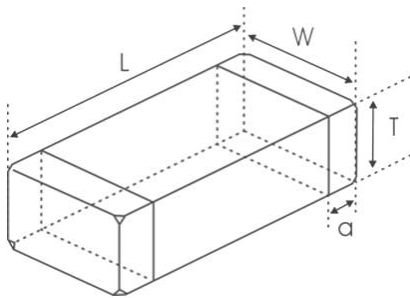


0.6 x 0.3 x 0.3 mm
 RoHS/RoHS II Compliant
 MSL Level = 1

Part Identification

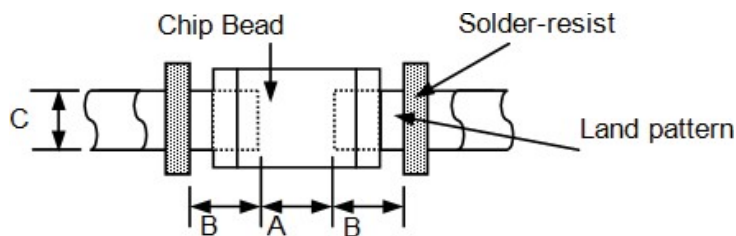


Mechanical Specifications



Series	L	W	T	a
ACML-0201	0.6±0.05 [0.024±0.002]	0.3±0.05 [0.012±0.002]	0.3±0.05 [0.012±0.002]	0.15±0.05 [0.006±0.002]

Dimensions: mm[inches]



A	B	C
0.2~0.3	0.2~0.3	0.3~0.35

Dimensions: mm

SMT Multilayer Chip Bead



ACML-0201 Series

Request Samples



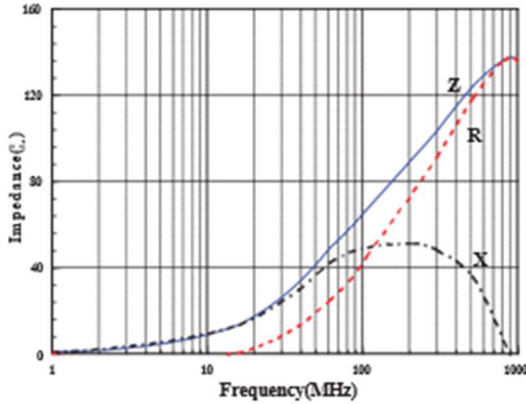
Check Inventory



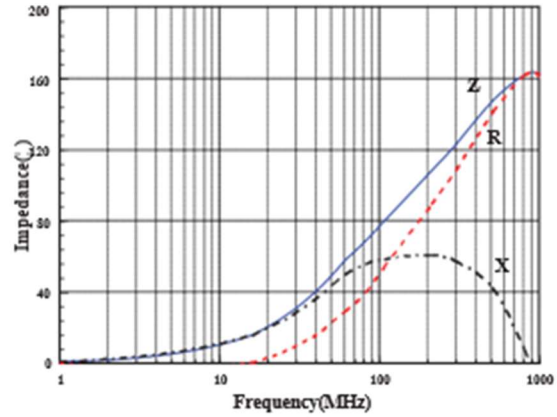
0.6 x 0.3 x 0.3 mm
RoHS/RoHS II Compliant
MSL Level = 1

Performance Graphs

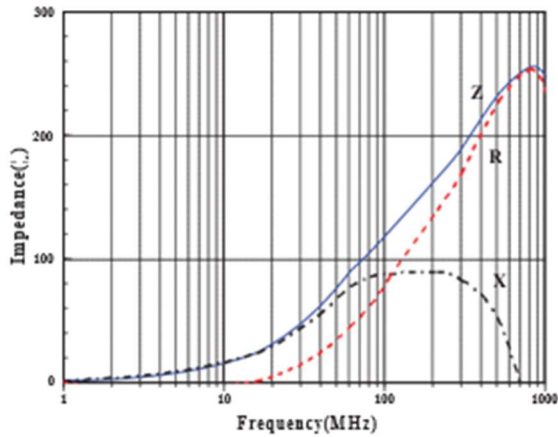
ACML-0201-600



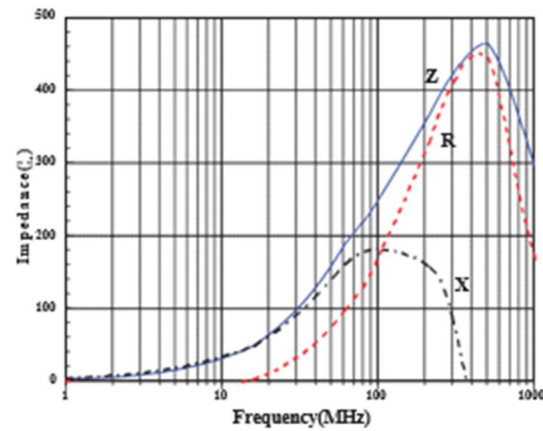
ACML-0201-800



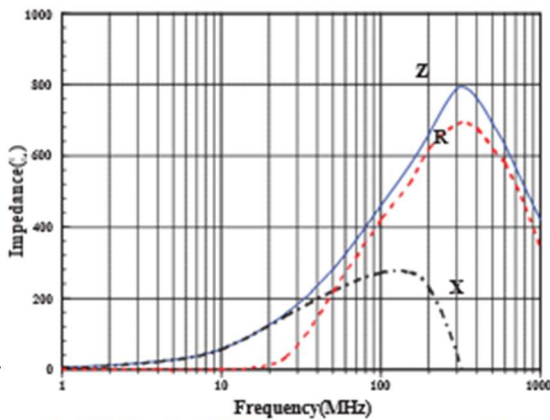
ACML-0201-121



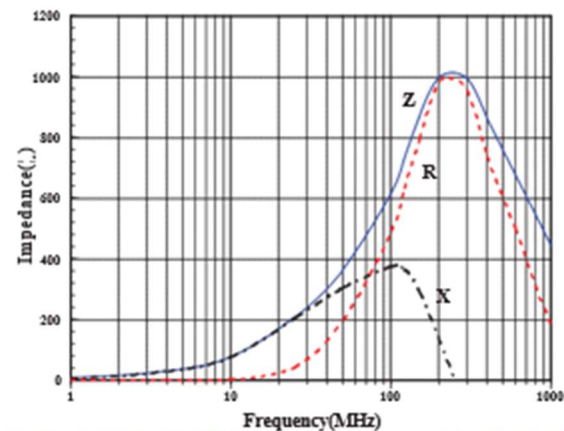
ACML-0201-241



ACML-0201-471



ACML-0201-601



Phone: 512-511-0159 FAX: 512-511-8838
For terms and conditions of sales, please visit:
www.abracon.com

REVISION B : 10/28/2024

ABRACON IS
ISO9001-2015
CERTIFIED

SMT Multilayer Chip Bead



ACML-0201 Series

Request Samples

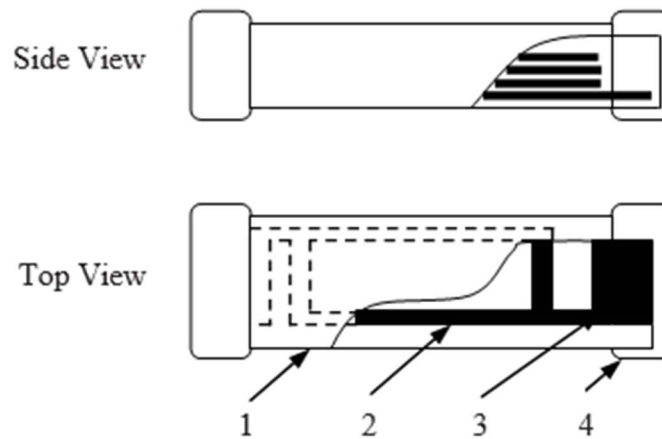


Check Inventory



0.6 x 0.3 x 0.3 mm
RoHS/RoHS II Compliant
MSL Level = 1

Materials



	Component	Material
1	Base Material	Ferrite
2	Internal Conductor	Ag
3	Pull out Electrode	Ag
4	Terminal Electrode	Ag (Inner layer) Ni-Sn (Outer layer)

SMT Multilayer Chip Bead



ACML-0201 Series

Request Samples

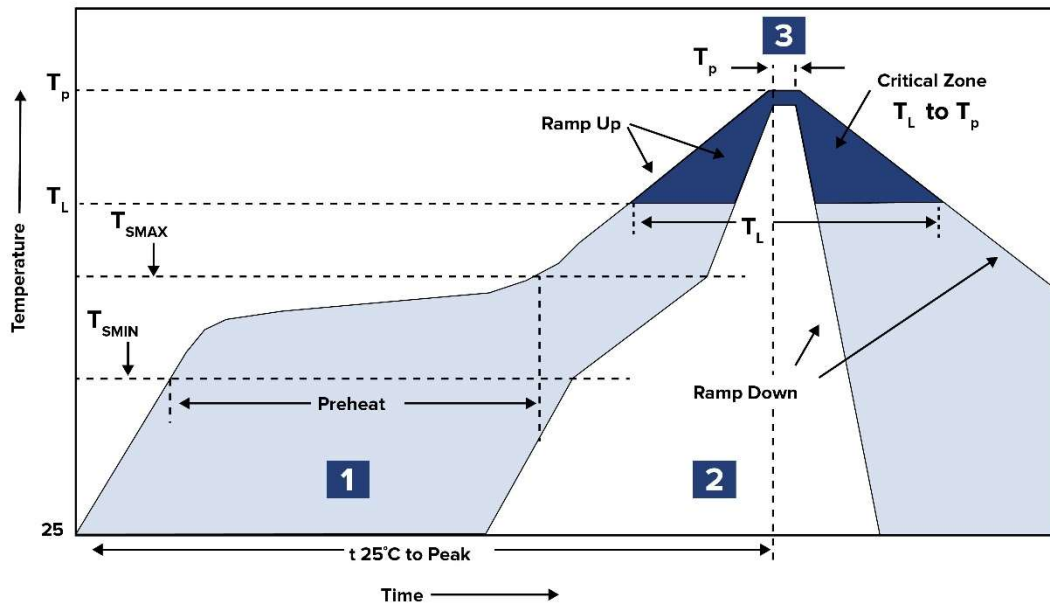


Check Inventory



0.6 x 0.3 x 0.3 mm
RoHS/RoHS II Compliant
MSL Level = 1

Reflow Profile



Zone	Description	Temperature	Times
1	Preheat	$T_{SMIN} \sim T_{SMAX}$ 150°C ~ 200°C	60 ~ 120 sec.
2	Reflow	T_L 217°C	60 ~ 90 sec.
3	Peak heat	T_P 260°C±5°C	10 sec. MAX

SMT Multilayer Chip Bead



ACML-0201 Series

Request Samples



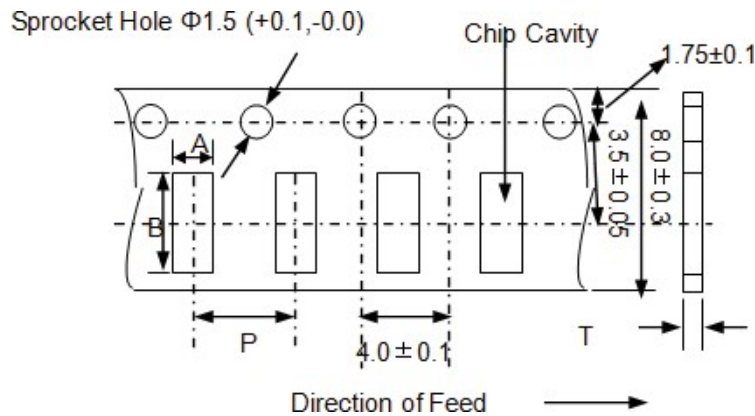
Check Inventory



0.6 x 0.3 x 0.3 mm
 RoHS/RoHS II Compliant
 MSL Level = 1

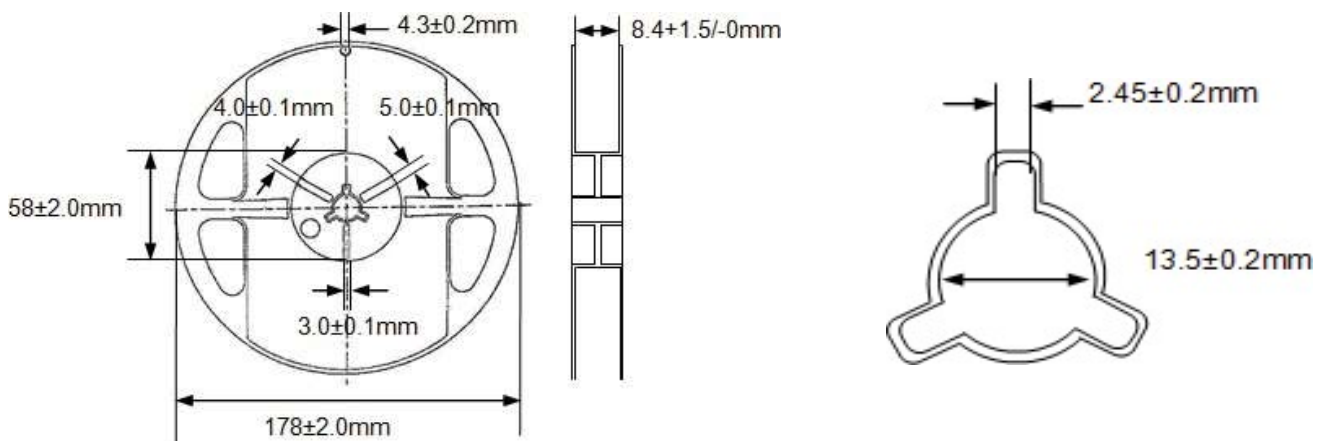
Packaging

Tape & Reel: 15K pcs/reel



A	B	P	t(max)
0.40±0.1	0.70±0.1	2.0±0.1	0.55

Dimensions: mm



ATTENTION: Abracon LLC's products are Commercial-Off-The-Shelf (COTS, which are designed, intended and validated for use in commercial, industrial and automotive applications. The customer is responsible for testing and verifying the performance of an Abracon solution to meet their system-level requirements.



5101 Hidden Creek Ln, Spicewood TX 78669
 Phone: 512-371-6159 Fax: 512-351-8858
 For terms and conditions of sales, please visit:
www.abracon.com

REVISION B : 10/28/2024

ABRACON IS
 ISO9001-2015
 CERTIFIED

Looking for pricing, stock, or lifecycle information?

Click below to explore more details on WIN SOURCE:

 [View ACML-0201-601-T on WIN SOURCE](#)

 [Abracon LLC Information](#)

Optimize Your Supply Chain with WIN SOURCE Solutions

-  Global Sourcing Solution
-  Obsolete Management
-  Cost Control Management
-  Shortage Management
-  Alternative Solution
-  Excess Inventory Management