



**THE DATASHEET OF  
PNF14-10LF-3K**



THIS COPY IS PROVIDED ON A RESTRICTED BASIS AND IS NOT TO BE USED IN ANY WAY DETRIMENTAL TO THE INTERESTS OF PANDUIT CORP.

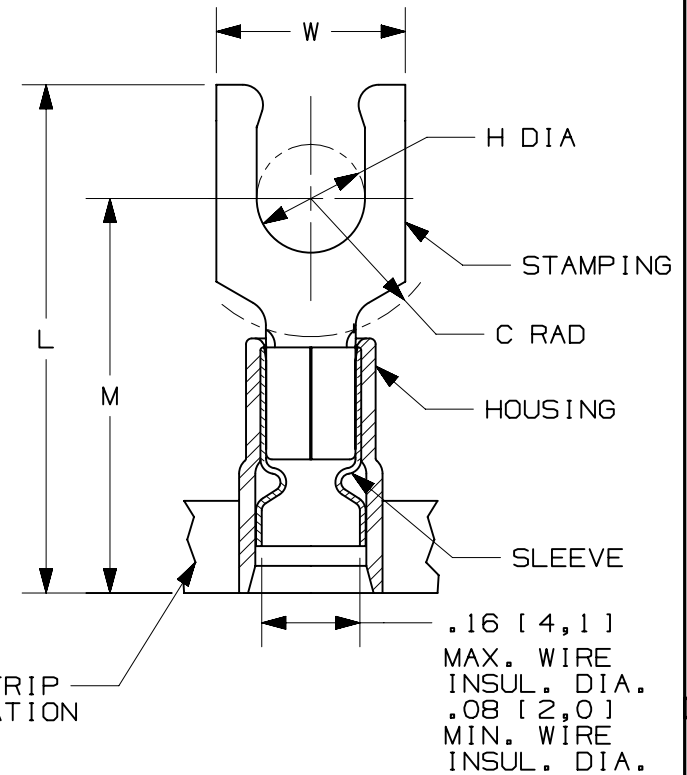
PANDUIT PART #	STUD SIZE	DIMENSIONS in. [mm]					CA9 SERIES CRIMP DIE	CA-800(EZ) SERIES CRIMP DIE
		L ± .03 [0,8]	W ± .01 [0,3]	C ± .02 [0,5]	M ± .03 [0,8]	H ± .01 [0,3]		
PNF14-6LF-3K	#6	.85 [21,6]	.25 [6,4]	.18 [4,6]	.63 [16,0]	.14 [3,6]	CD9-2A	CD-800-2
PNF14-8LF-3K	#8	.92 [23,4]	.29 [7,4]	.23 [5,8]	.68 [17,3]	.16 [4,1]		
PNF14-10LF-3K	#10	.92 [23,4]	.33 [8,4]	.23 [5,8]	.68 [17,3]	.19 [4,8]		
PNF14-10LFN-3K	#10	.92 [23,4]	.28 [7,1]	.23 [5,8]	.68 [17,3]	.19 [4,8]		

PRESS/APPLICATOR COMPATIBILITY CHART

PRESS	CP-871	CP-861
APPLICATOR	CA9 CA-800EZ	CA-800

NOTES:

- cULus LISTED FOR:
  - A. #16-14 AWG [1,5-2,5 mm<sup>2</sup>] SOLID OR STRANDED COPPER WIRE
  - B. 221°F [105°C] MAX. OPERATING TEMPERATURE
  - C. 600 V. MAX. VOLTAGE RATING
- SEE [www.panduit.com](http://www.panduit.com) FOR PACKAGE QUANTITIES
- MATERIAL:
  - A. STAMPING: .03" [0,8] THK COPPER, TIN PLATED
  - B. HOUSING: NYLON, BLUE
  - C. SLEEVE: BRASS, TIN PLATED
- DIMENSIONS IN BRACKETS ARE METRIC EQUIVALENT
- WIRE STRIP LENGTH: 1/4" <sup>+1/32</sup> [6,4<sup>+0,8</sup>]

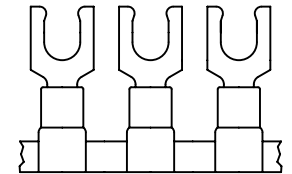


CARRIER STRIP (CONFIGURATION MAY VARY)

.16 [4,1]  
MAX. WIRE  
INSUL. DIA.  
.08 [2,0]  
MIN. WIRE  
INSUL. DIA.



LISTED  
587H  
E52164



REV	DATE	BY	CHK	APR	DESCRIPTION	ECN
06	06/14	MBY	JHNU	RGB	REVISED NOTES, MOVED TOOLS TO TABLE, REVISED CERTIFICATION	N41147BA-A41147
05	10.24.12	JBN	LSM	VMB	REVISED NOTES. UPDATED DRAWING TO CURRENT STANDARDS.	A41147

TITLE <b>LOCKING FORK TERMINALS, NYLON INSULATED, NON-FUNNEL ENTRY #16-14, CONTINUOUS REEL</b>		CUSTOMER DRAWING	
ITEM REVISION NAME N41147BA/06		<b>PANDUIT</b>	
DATASET FILE NAME N41147BA_DC/06A			
UNLESS OTHERWISE SPECIFIED, DIMENSIONAL TOLERANCES ARE: IN [mm]		MATERIAL: SEE NOTES	
DRAWING NUMBER: <b>A41147</b>		DRAWING NUMBER: <b>A41147</b>	
DRAWN BY GRM	DATE -	CHK FS	SCALE N.T.S.
SHEET 1 OF 1		A	

D101000A/12

## Looking for pricing, stock, or lifecycle information?

Click below to explore more details on WIN SOURCE:

 [View PNF14-10LF-3K on WIN SOURCE](#)

 [Panduit Corp Information](#)

## Optimize Your Supply Chain with WIN SOURCE Solutions

-  Global Sourcing Solution
-  Obsolete Management
-  Cost Control Management
-  Shortage Management
-  Alternative Solution
-  Excess Inventory Management