



**THE DATASHEET OF  
ECS-TXO-2520-33-500-AN-TR**



The sub miniature ECS-TXO-2520 is a miniature SMD HCMOS TCXO. The 2.5 x 2.0 x 0.9 mm ceramic package is ideal for LoRa WAN and wireless IoT applications where stability is critical.

# ECS-TXO-2520

## SMD HCMOS TCXO

Request a Sample

### OPERATING CONDITIONS / ELECTRICAL CHARACTERISTICS



- Low Profile
- 2.5 x 2.0 mm Footprint
- Extended Temp Range
- RoHS Compliant

PARAMETERS	CONDITIONS	ECS-TXO-2520			UNITS
		MIN	TYP	MAX	
Frequency Range		3.200		55.000	MHz
Frequency Stability	Tolerance at +25°C			± 2.0	ppm
	Vs. Temp (-40 ~ +85°C)			± 2.5	ppm
	Voltage Change Vdd ±5%			±0.2	ppm
	Load Change (±10%)			±0.2	ppm
Aging	Per year @ +25°C			±1.0	ppm
Supply Voltage (Vdd)	Specify in P/N	+2.5, +2.8, +3.3 ±10%			V DC
Standby Current				10	µA
Output	HCMOS		15		pF
Output voltage Level	VOL:10%Vdd max./VOH:90%Vdd min.V DC				
Rise & Fall time	10%Vdd – 90%Vdd			5	ns
Duty Cycle	@ ½ Vdd			45/55	%
Phase Noise	@ 10 KHz offset		-145		dBc/Hz

### DIMENSIONS (mm)

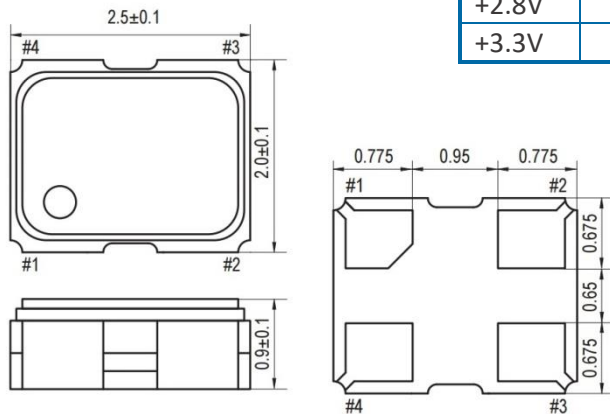


Figure 1) Top, Side, and Bottom views

### CURRENT CONSUMPTION, mA Max.

FREQ.	3.2~ 10 MHz	10.1~ 20 MHz	20.1~ 30 MHz	30.1~ 40 MHz	40.1 ~55 MHz
+2.5V	3.1	3.7	4.2	4.6	5.5
+2.8V	3.4	4.1	4.7	5.2	6.0
+3.3V	4.0	4.8	5.5	6.0	7.0

PAD CONNECTIONS	
1	Tri-state
2	Gnd
3	Output
4	Vdd

Tri State Function	
Pin 1	Output
High or NC	Active
Low	Disable Hi-Z

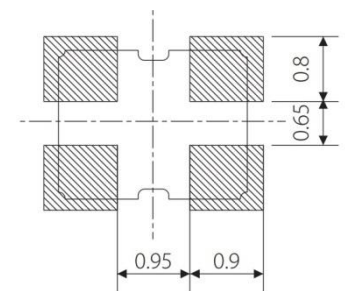


Figure 2) Suggested Land Pattern

### PART NUMBERING GUIDE: Example ECS-TXO-2520-33-160-AN-TR

ECS - SERIES	FREQUENCY ABBREVIATION	STABILITY	TEMP RANGE	PACKAGING	
TXO-2520 2.5 x 2.0 mm TCXO	25 = +2.5V 28 = +2.8V 33 = +3.3V	160 = 16.000 MHz See Developed Frequencies Pg.2	A = ±2.5 ppm	N = -40 ~ +85°C	TR = Tape & Reel 1K/Reel

**FREQUENCY ABBREVIATIONS**

FREQUENCY MHz	CODE
5.000	050
10.000	100
12.000	120
16.000	160
20.000	200
24.000	240
25.000	250
32.000	320
40.000	400
44.000	440

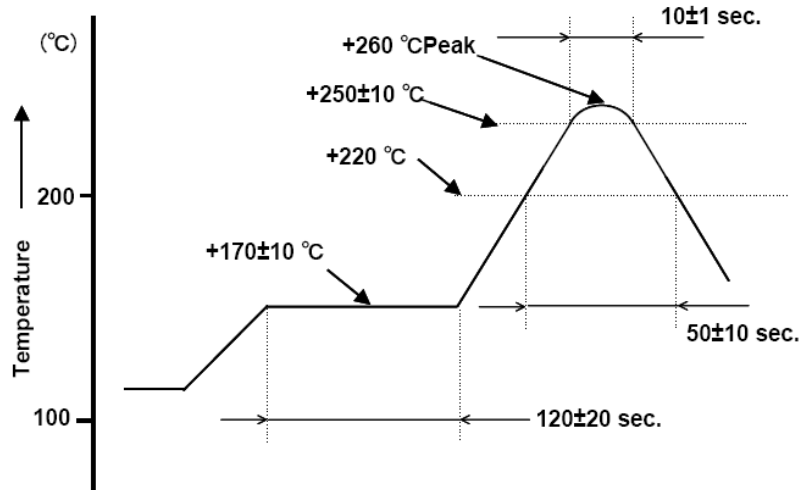
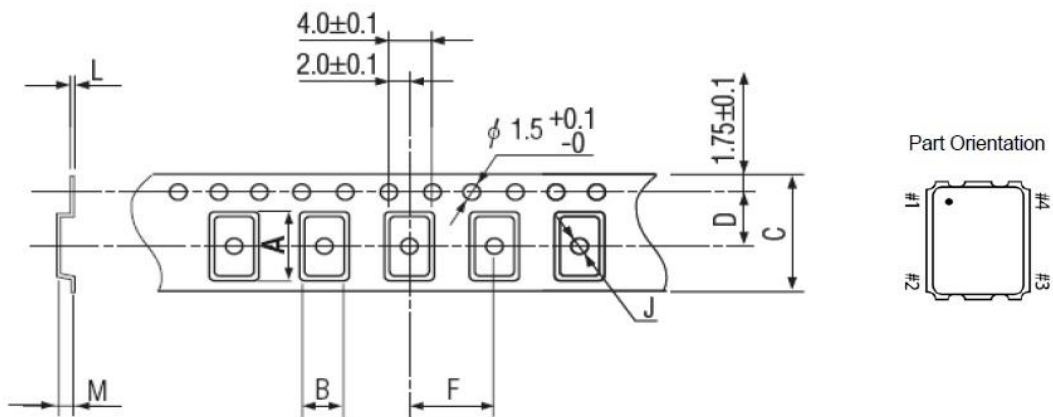


Figure 1) Suggested Reflow Profile

**SOLDER PROFILE**

Peak solder Temp +260°C Max 10 sec Max.  
2 Cycles Max.  
MSL 1, Lead Finish Au


**POCKET TAPE DIMENSIONS (mm)**



A	B	C	D	F	J	L	M	Reel Dia.	Qty/Reel
2.8	2.3	8.0	3.5	4.0	1.0	0.25	1.1	180	1000pcs

## Looking for pricing, stock, or lifecycle information?

Click below to explore more details on WIN SOURCE:

-  [View ECS-TXO-2520-33-500-AN-TR on WIN SOURCE](#)
-  [ECS Inc. Information](#)

## Optimize Your Supply Chain with WIN SOURCE Solutions

-  Global Sourcing Solution
-  Obsolete Management
-  Cost Control Management
-  Shortage Management
-  Alternative Solution
-  Excess Inventory Management