



**THE DATASHEET OF
E79-00A**



E/F6 SERIES, E/F7 SERIES PANEL MOUNT SWITCHES

E/F6 Series, E/F7 Series panel mount switches

E/F6 are single pole versions, E/F7 are double pole versions

- Push buttons in various models
- Snap-in panel mounting
- Long-life coil spring, snap-action mechanism
- Agency approved extended-life versions available
- VDE approval available on select models (F Series)
- Various terminal forms available (consult factory)



Technical specifications	
Series	Panel mount switch
Electrical	
Ambient temperature	-40° to +85°C
Flammability rating	UL94V-0
Materials	
Housing	Thermoplastic Polyester, Valox (single pole versions), Vandar (double pole versions)
Actuator	Thermoplastic Acetal (E Series), Valox
Terminals*	Brass
Moving blade	Beryllium Copper
Spring	Stainless steel
Contacts	
E65, E/F69, E/F77, E/F79	AgCdO
E/F68, E/F78	Au (Crosspoint)

* Common terminals are plated – the remaining terminals are not plated.

Approvals 1	Code
UL	E
VDE & UL	F

Configuration 2

Configuration	Code
Single pole version	6
Double pole version	7

Actuator 4

Terminal type	Code
Basic momentary	00A
Push-pull momentary	20A
Momentary (cheat interlock)	30A
Short button momentary	40A
Momentary for auxiliary actuator	50A

Terminals

Series	Terminals
E68, E69, E77, E78, E79	Q.C. terminal 4.8 x 0.5 mm
E65, E75, F68, F69, F77, F78, F79	Q.C. terminal 4.8 x 0.8 mm

Series	Approvals	Circuitry	Electrical rating	Actuator
Panel mount switch	F = UL & VDE	6 = Single pole version	9 = 10(4) A, 250 V AC	00A = Basic momentary

Generation of order code (example)
The order code consists of 5 parameters:

Series	Approvals	Circuitry	Electrical rating	Actuator
1	2	3	4	5

- Not every configurable variant is available for order. Please contact us.
- The final two digits of article numbers on commercial documents refer to the index of the respective drawing.
- Customer-specific models are marked with a G or W as the sixth digit of the article number.

Electrical rating and operating life 3

Electrical rating according to

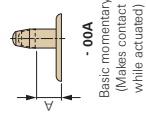
EN 61058-1

UL 1054

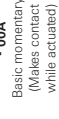
16 A, 125/250
0.1(0.05) A, 125 V AC; 10(4) A, 250 V AC
0.1 A, 125 V AC
0.1(0.05) A, 125 V AC
10(4) A, 250 V AC

* Other ratings

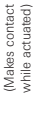
Actuator (function)



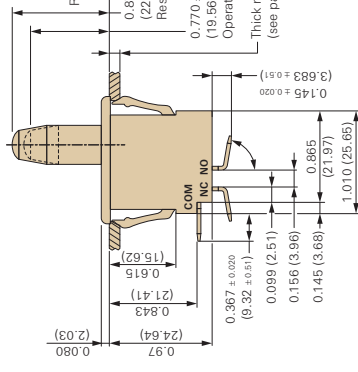
-20A



-3

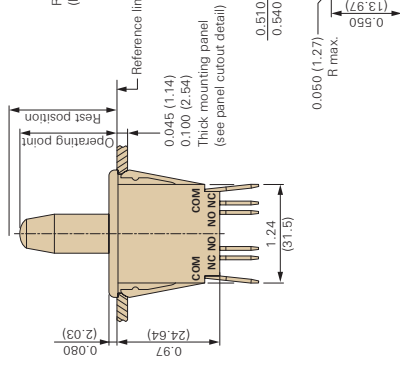


Single pole version



Dimensions in inch (mm)

Double pole version



For detailed information please note the technical specifications which

Looking for pricing, stock, or lifecycle information?

Click below to explore more details on WIN SOURCE:

 [View E79-00A](#) on WIN SOURCE

 [ZF Electronics](#) Information

Optimize Your Supply Chain with WIN SOURCE Solutions

-  Global Sourcing Solution
-  Obsolete Management
-  Cost Control Management
-  Shortage Management
-  Alternative Solution
-  Excess Inventory Management