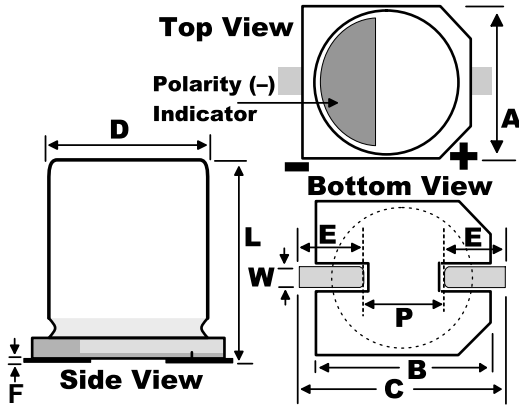




**THE DATASHEET OF
EXV107M016A9GAA**



Capacitor, aluminum, 100 uF, +/-20% Tol, 16V@105C



Dimensions (mm)		
Symbol	Dimension	Tolerance
D	6.3	+/-0.5
L	5.4	+0.25/-0.1
A	6.6	+/-0.2
B	6.6	+/-0.2
C	7.8	MAX
W	0.65	+/-0.1
E	2.6	+/-0.2
P	1.8	+/-0.2
F	0.3	MAX

Packaging Specifications	
Package Kind:	T&R
Package Size:	380mm
Package Quantity:	1000

General Information	
Supplier:	KEMET
Part Type Description:	Surface Mount Aluminum Electrolytic
Style:	Surface Mount Vertical Can
Lead Type:	V-Chip

Specifications	
Capacitance:	100 uF
Voltage @ rated temp:	16V
Rated Temperature:	105C
Tolerance:	+/-20%
VDC Surge:	20WVDC
Life @ rated temp:	3000 h
RoHS:	Yes
Low Z/ESR:	Yes
Hi Temp Solder:	Yes
Temperature Range:	-40/+105C
Leakage Current:	16 uA
Leakage Condition:	2min/20c
Dissipation Factor:	16%
Impedance @ 100kHz:	520 mOhm
Impedance Ratio -25C:	2.0
Impedance Ratio -40C:	3.0
Ripple 120Hz @ rated temp:	0.168 A
Ripple 100kHz @ rated temp:	0.24 A
Ripple 120Hz @ alt temp:	0.336 A
Ripple 120Hz alt temp:	85C

Looking for pricing, stock, or lifecycle information?

Click below to explore more details on WIN SOURCE:

 [View EXV107M016A9GAA on WIN SOURCE](#)

 [Kemet Information](#)

Optimize Your Supply Chain with WIN SOURCE Solutions

-  Global Sourcing Solution
-  Obsolete Management
-  Cost Control Management
-  Shortage Management
-  Alternative Solution
-  Excess Inventory Management