

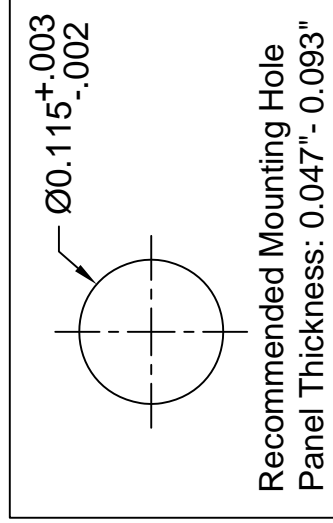
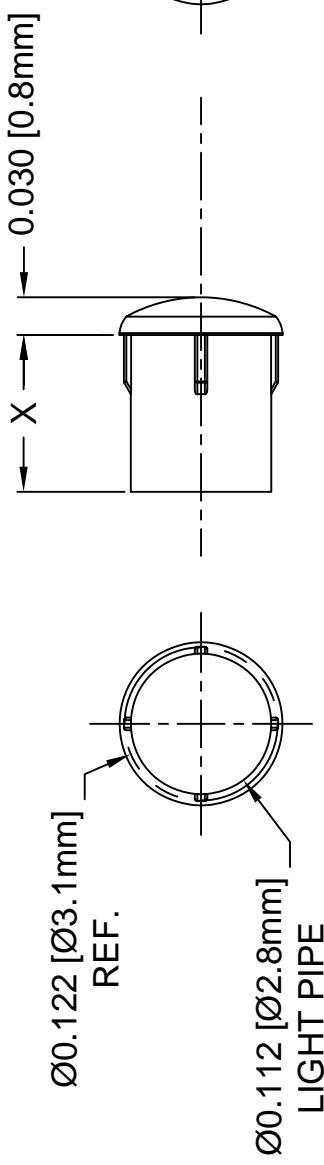


THE DATASHEET OF PLP2-250



REV.	DESCRIPTION
T	Added Panel Thickness
U	Added .100", .188", .3
V	Added Metric Lengths
W	Added Color Options,
Y	Updated Color Options

Part No.	X = Body Length
PLP2-100	0.100 (2.5mm)
PLP2-125	0.125 (3.2mm)
PLP2-188	0.188 (4.8mm)
PLP2-215	0.215 (5.5mm)
PLP2-250	0.250 (6.4mm)
PLP2-313	0.313 (7.9mm)
PLP2-350	0.350 (8.9mm)
PLP2-375	0.375 (9.5mm)
PLP2-500	0.500 (12.7mm)
PLP2-625	0.625 (15.9mm)
PLP2-750	0.750 (19.0mm)
PLP2-1000	1.000 (25.4mm)
PLP2-1200	1.200 (30.5mm)
PLP2-3MM	3mm (0.118")
PLP2-4MM	4mm (0.157")
PLP2-5MM	5mm (0.197")
PLP2-6MM	6mm (0.236")
PLP2-7MM	7mm (0.276")
PLP2-8MM	8mm (0.315")
PLP2-9MM	9mm (0.354")
PLP2-10MM	10mm (0.394")



STANDARD TOLERANCES (UNLESS OTHERWISE SPECIFIED)	
DECIMALS	ANGLES
.X	$\pm .1$
.XX	$\pm .01$
.XXX	$\pm .005$
X°	
DESIGNED:	DATE:
M. CHEN	01/11
REVISOR:	DATE:
K. BARON	07/01
CHECKED:	DATE:
TD. NGUYEN	07/01

2. MATERIAL: POLYCARBONATE, 94V-0, CLEAR.
1. GENERAL SPECIFICATIONS: BIVAR MOLDED COMPONENT SPECIFICATION BV00-E101 and BSMC-1001.

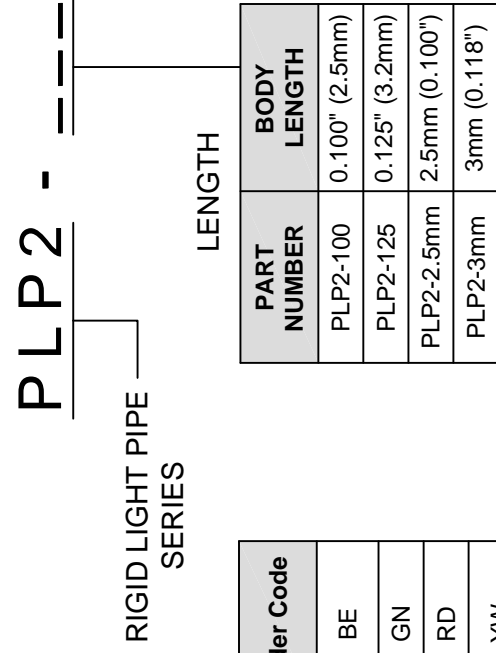
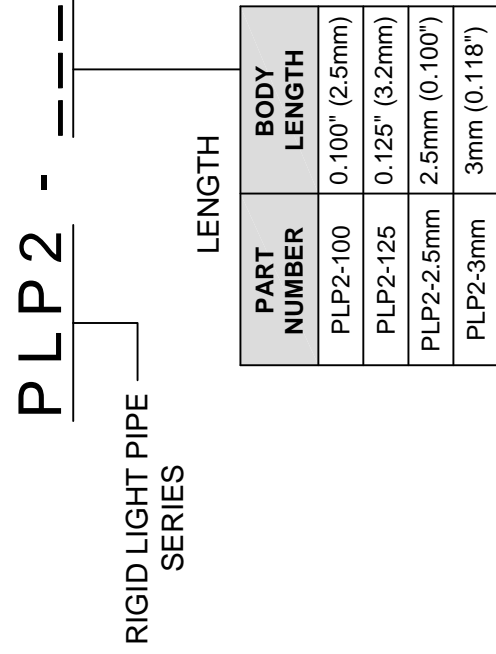
OTHER AVAILABLE COLORS

* SEE TABLE FOR ORDERING INFORMATION

REV.

SEE SHEET #1

AVAILABLE COLOR OPTIONS



COLOR	Order Code
TINTED BLUE	BE
TINTED GREEN	GN
TINTED RED	RD
TINTED YELLOW	YW

Looking for pricing, stock, or lifecycle information?

Click below to explore more details on WIN SOURCE:

 [View PLP2-250 on WIN SOURCE](#)

 [Bivar Inc. Information](#)

Optimize Your Supply Chain with WIN SOURCE Solutions

-  Global Sourcing Solution
-  Obsolete Management
-  Cost Control Management
-  Shortage Management
-  Alternative Solution
-  Excess Inventory Management