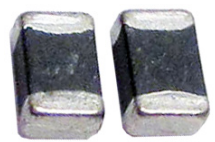




**THE DATASHEET OF  
ACML-0402HC-600-T**



# Multilayer Ferrite Chip Bead (High Current)



1.00 x 0.50 x 0.50mm

ACML-0402HC



RoHS/RoHS II Compliant

## FEATURES:

- Multilayer monolithic structure yields high reliability
- Unique terminal electrode design ensures high rated current
- High impedance over a wide frequency range

## APPLICATIONS:

- Noise suppression for computers and peripheral devices, DVD cameras, LCD TVs, communication equipments, OA equipments, etc.
- Reduces noise in ultra high speed circuits as well

## STANDARD SPECIFICATIONS:

**Operating Temperature:** -55°C ~ +125°C

**Storage Temperature:** -55°C to +125°C

Part Number ACML-0402HC- Impedance Code	Impedance	Frequency	DC resistance	Rated Current
Units	$\Omega \pm 25\%$	MHz	$\Omega$ max	mA max
Symbol	Z	F	R <sub>DC</sub>	I <sub>R</sub>
ACML-0402HC-100	10	100	0.045	2000
ACML-0402HC-300	30	100	0.035	2200
ACML-0402HC-330	33	100	0.035	2200
ACML-0402HC-600	60	100	0.075	1500
ACML-0402HC-800	80	100	0.070	1500
ACML-0402HC-121	120	100	0.090	1300
ACML-0402HC-221	220	100	0.160	900
ACML-0402HC-301	300	100	0.200	600
ACML-0402HC-471	470	100	0.300	500
ACML-0402HC-601	600	100	0.340	500

## Test Conditions and Equipments

**I<sub>R</sub>:** Rated current applied when the chip surface temperature rise just 40°C against chip surface temperature.

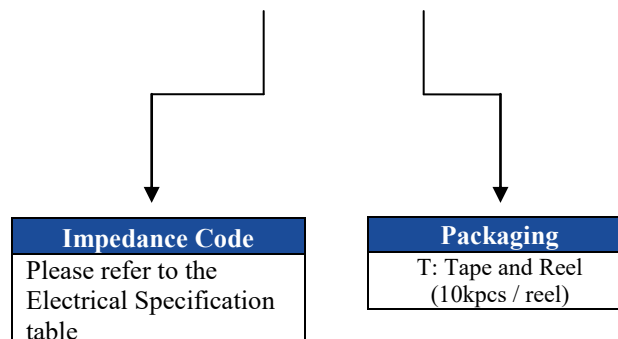
**Electric power supplier, Electric current meter, Thermometer.**

**Z:** Impedance Analyzer HP4291 or equivalent, 50mV.

**DCR:** LCR Meter HP4263A or equivalent

## OPTIONS AND PART IDENTIFICATION:

ACML-0402HC-  -



# Multilayer Ferrite Chip Bead (High Current)

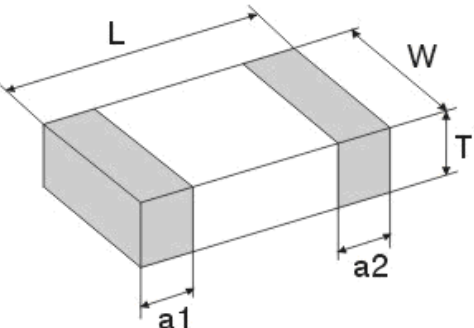
ACML-0402HC

 RoHS/RoHS II Compliant



1.00 x 0.50 x 0.50mm

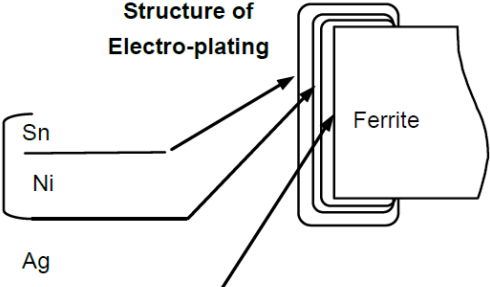
## OUTLINE DIMENSIONS:



L	W	T	a1, a2
1.00±0.15	0.50±0.15	0.50±0.15	0.25±0.10

**Materials**

Structure of Electro-plating

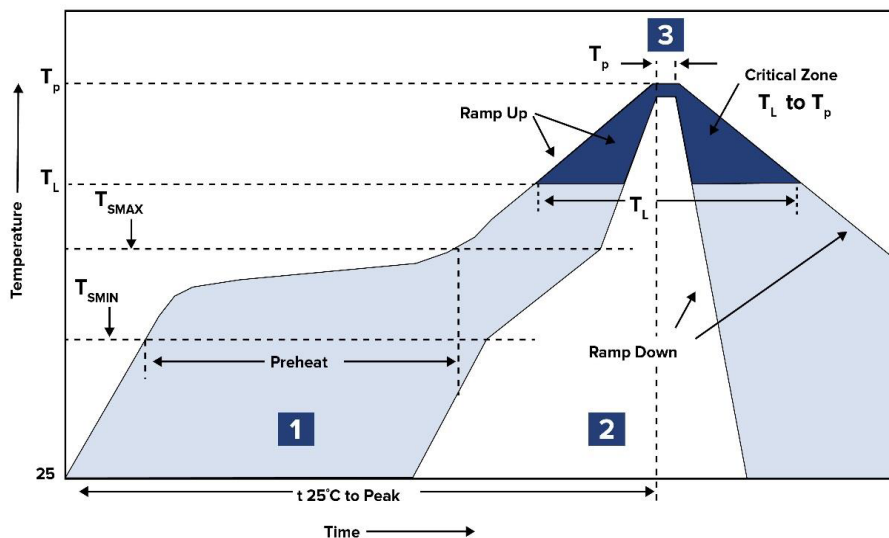


	Part Name	Material
1	Base Material	Ferrite
2	Internal Conductor	Ag
3	Terminal Electrode	Ag
4	Terminal Electrode	Ni-Sn

④-2 Sn  
Ni  
④-1 Ag

**Dimension: mm**

## REFLOW PROFILE

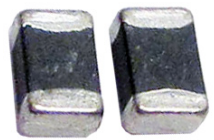


Zone	Description	Temperature	Times
1	Preheat	$T_{SMIN} \sim T_{SMAX}$ 150°C ~ 200°C	60 ~ 120 sec.
2	Reflow	$T_L$ 217°C	60 ~ 90 sec.
3	Peak heat	$T_p$ 260°C	10 sec. Max

# Multilayer Ferrite Chip Bead (High Current)

ACML-0402HC

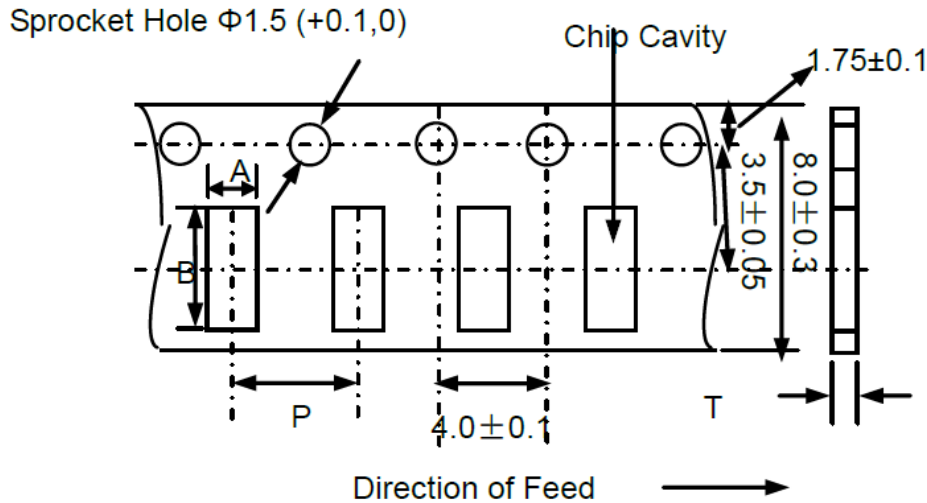
 RoHS/RoHS II Compliant



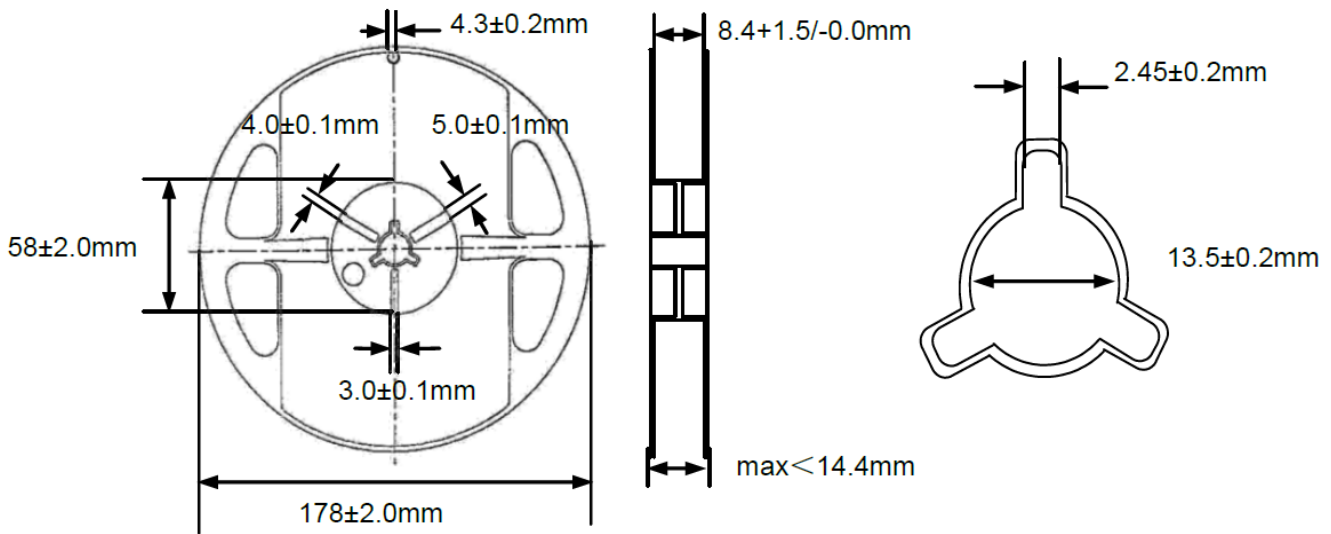
1.00 x 0.50 x 0.50mm

## TAPE & REEL:

T= tape and reel (10,000 pcs/reel)



Reel Dimensions			
A	B	P	T max
$0.65 \pm 0.1$	$1.15 \pm 0.1$	$2.0 \pm 0.05$	0.8



Dimension: mm

**ATTENTION:** Abracon LLC's products are COTS – Commercial-Off-The-Shelf products; suitable for Commercial, Industrial and, where designated, Automotive Applications. Abracon's products are not specifically designed for Military, Aviation, Aerospace, Life-dependant Medical applications or any application requiring high reliability where component failure could result in loss of life and/or property. For applications requiring high reliability and/or presenting an extreme operating environment, written consent and authorization from Abracon LLC is required. Please contact Abracon LLC for more information.

## Looking for pricing, stock, or lifecycle information?

Click below to explore more details on WIN SOURCE:

- ⊖ [View ACML-0402HC-600-T on WIN SOURCE](#)
- ⊖ [Abracon LLC Information](#)

## Optimize Your Supply Chain with WIN SOURCE Solutions

- ✓ Global Sourcing Solution
- ✓ Obsolete Management
- ✓ Cost Control Management
- ✓ Shortage Management
- ✓ Alternative Solution
- ✓ Excess Inventory Management