

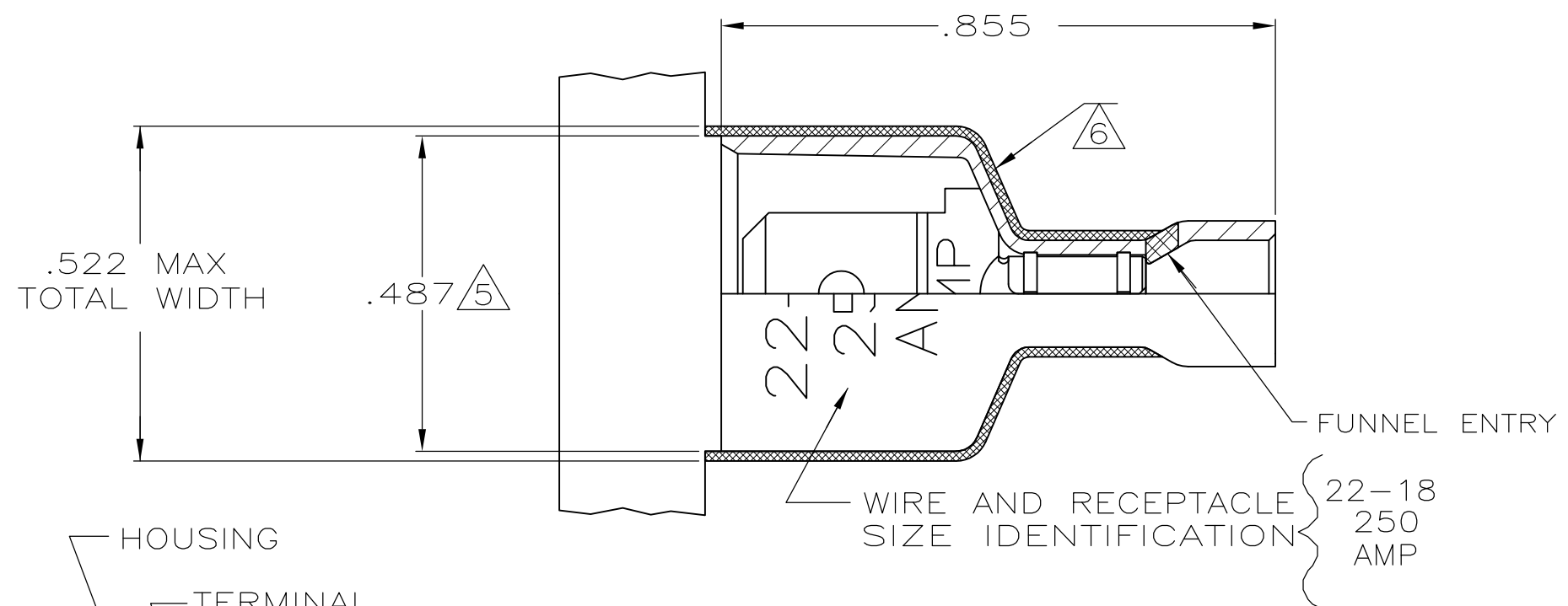


THE DATASHEET OF
2-521055-2

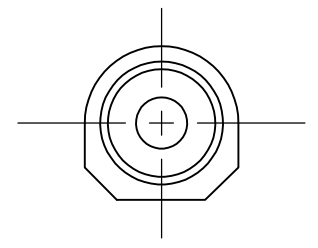
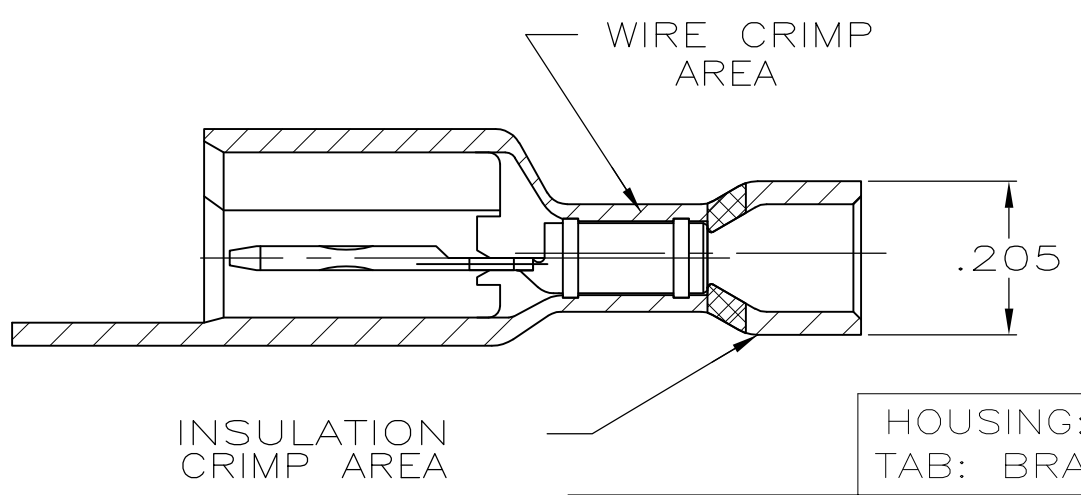
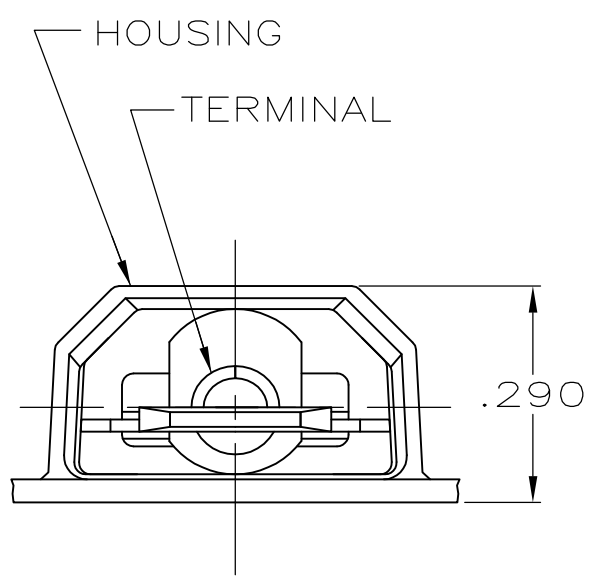


THIS DRAWING IS UNPUBLISHED. RELEASED FOR PUBLICATION
 © COPYRIGHT - By - ALL RIGHTS RESERVED.

LOC	DIST	REVISIONS			
P	LTR	DESCRIPTION	DATE	DWN	APVD
AF	50	H	REVISED PER ECR-13-004343	30JUL13	KH KR



- 1 TAB DIMENSIONS .032±.001x.250
- 2 WIRE STRIP LENGTH .281
- 3 INSULATION SIZE .060-.135 DIA
- 4 CONTINUOUS STRIP ON REELS
- △5 DIMENSION DOES NOT INCLUDE TRIM BURR
- △6 .015 MAX CARRIER TRIM BURR PER SIDE IS ALLOWABLE IN THE SHADED AREA
- △7 OBSOLETE PARTS: OBSOLETE CIS STREAMLINING PER D.RENAUD/D.SINISI



MATERIAL & FINISH	PART NO
HOUSING: NYLON, COLOR-RED TRANSLUCENT TAB: BRASS, TIN	2-521055-2
△7 OBSOLETE HOUSING: NYLON, COLOR-RED TRANSLUCENT TAB: #3 HARD BRASS, UNPLATED	2-521055-1

THIS DRAWING IS A CONTROLLED DOCUMENT.		DWN	JR RUTH	3/14/94	STE TE Connectivity
DIMENSIONS: INCHES		CHK	MS FEHER	3/14/94	
TOLERANCES UNLESS OTHERWISE SPECIFIED:		APVD	D BRATINA	3/14/94	
0 PLC ± - 1 PLC ± - 2 PLC ± - 3 PLC ± .015 4 PLC ± - ANGLES ± -		NAME		TAB ASSEMBLY, ULTRA-FAST, PLUS, .250 SERIES, 22-18 AWG	
MATERIAL	SEE TABLE	FINISH	SEE TABLE	PRODUCT SPEC	108-2017
				APPLICATION SPEC	114-2123
				WEIGHT	-
				SIZE	A3
				CAGE CODE	00779
				DRAWING NO	C-521055
				RESTRICTED TO	-
				SCALE	4:1
				SHEET	1 OF 1
				REV	H
CUSTOMER DRAWING					

Looking for pricing, stock, or lifecycle information?

Click below to explore more details on WIN SOURCE:

 [View 2-521055-2 on WIN SOURCE](#)

 [TE Connectivity](#) Information

Optimize Your Supply Chain with WIN SOURCE Solutions

-  Global Sourcing Solution
-  Obsolete Management
-  Cost Control Management
-  Shortage Management
-  Alternative Solution
-  Excess Inventory Management