

# Ultra-compact Low Leakage current EMC/RFI Filter



- Ultra-compact four-wire filter for applications lacking space
- Exceptional low operating leakage current
- Equally suitable for star and delta power networks

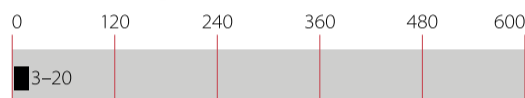


### Performance indicators

Attenuation performance



Rated current [A]



### Approvals & Compliances



### Features and Benefits

- The FN 355 family of three-phase and neutral line filters provides a cost-effective interference suppression solution for a wide variety of applications
- Available in four versions, with current ratings from 3 to 20 A, the filters employ a single-stage four-wire LC circuit with saturating resistant chokes, and have a very low operational leakage current
- FN 355 filters are contained within an extremely compact metal housing, making them ideal for use in situations where space is at a premium

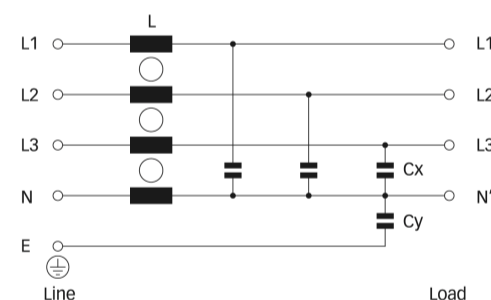
### Typical Applications

- Office equipment
- Medical equipment
- General purpose four-wire filtering
- Applications with tight space conditions




## Technical Specifications

<b>Maximum continuous operating voltage</b>	3x440/250 VAC
<b>Nominal operating voltage</b>	400 VAC
<b>Rated currents</b>	3 to 20 A @ 40°C
<b>Overload capability</b>	4x rated current at switch on, 1.5x rated current for 1 minute, once per hour
<b>Operating frequency</b>	DC to 400 Hz
<b>High potential test voltage</b>	P/N → E 2000 VAC for 2 sec P → P 1350 VDC for 2 sec P → N 800 VAC for 2 sec
<b>Temperature range (operation and storage)</b>	-25°C to +100°C (25/100/21)
<b>Flammability corresponding to</b>	UL 94 V-0
<b>Design corresponding to</b>	UL 1283, CSA 22.2 No. 8 1986, IEC/EN 60939
<b>MTBF (Mil-HB-217F)</b>	>850,000 h @ 40°C/400 V

### Typical electrical schematic



### Filter Selection Table

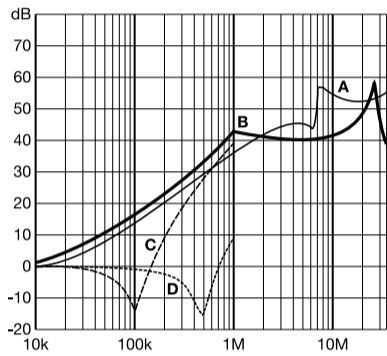
Filter	Rated current @ 40°C (25°C)	Leakage current* @ 440 VAC/50 Hz	Power loss @ 25 °C/ 50Hz	Input/Output connections			weight
	[A]	[mA]	[W]				[kg]
<b>FN355-3-05</b>	3 (3.4)	0.0	1.4		-05		0.15
<b>FN355-6-05</b>	6 (6.9)	0.0	1.5		-05		0.21
<b>FN355-10-05</b>	10 (11.5)	0.0	1.8		-05		0.25
<b>FN355-20-06</b>	20 (23)	0.1	3.4		-06		0.29
<b>FN355-20-03</b>	20 (23)	0.1	3.4	-03			0.29
<b>FN355-30-44</b>	30 (34)	0.2	4.1			-44	0.44

\* Standardized calculated leakage current acc. IEC60939 under normal operating conditions.

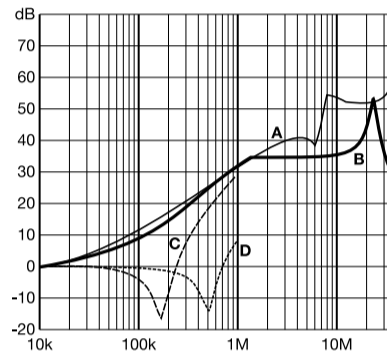
### Typical Filter Attenuation

Per CISPR 17; A=50 Ω/50 Ω sym; B=50 Ω/50 Ω asym; C=0.1 Ω/100 Ω sym; D=100 Ω/0.1 Ω sym

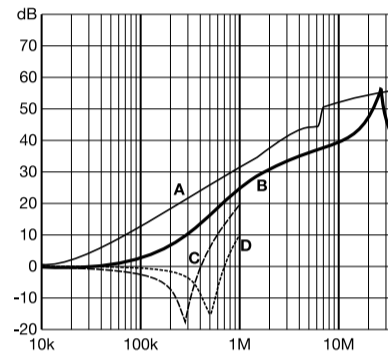
3 A types



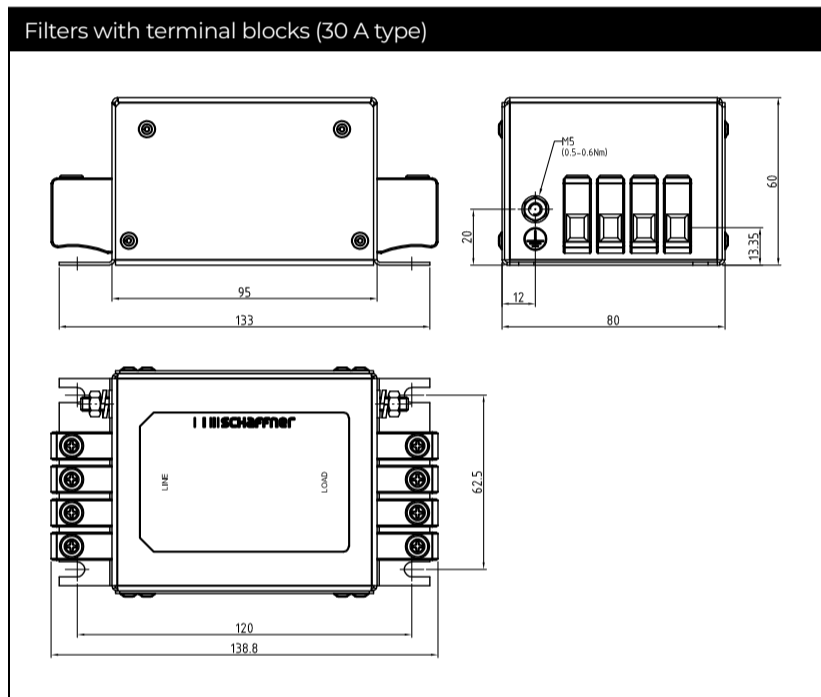
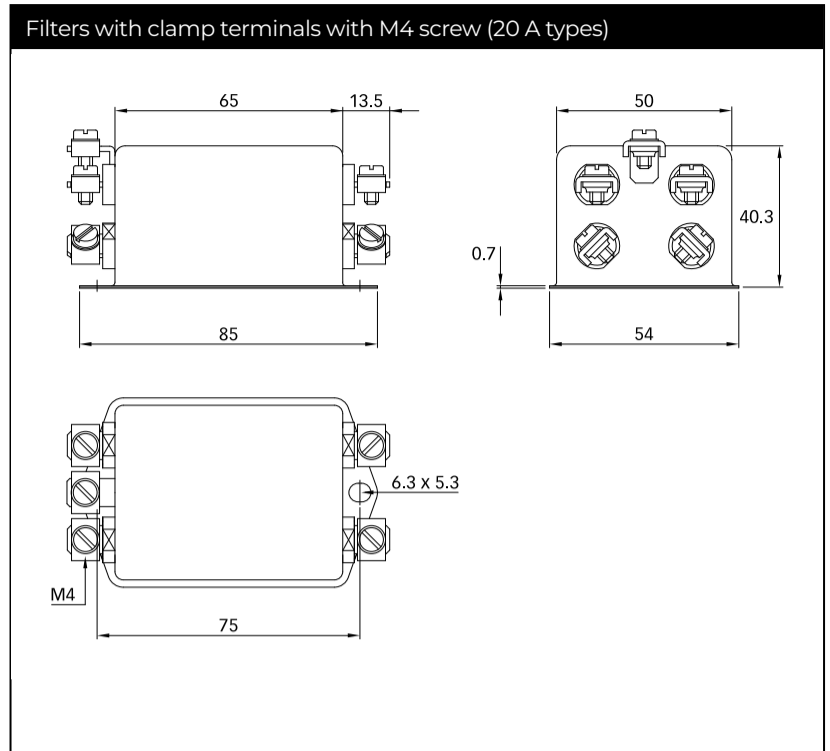
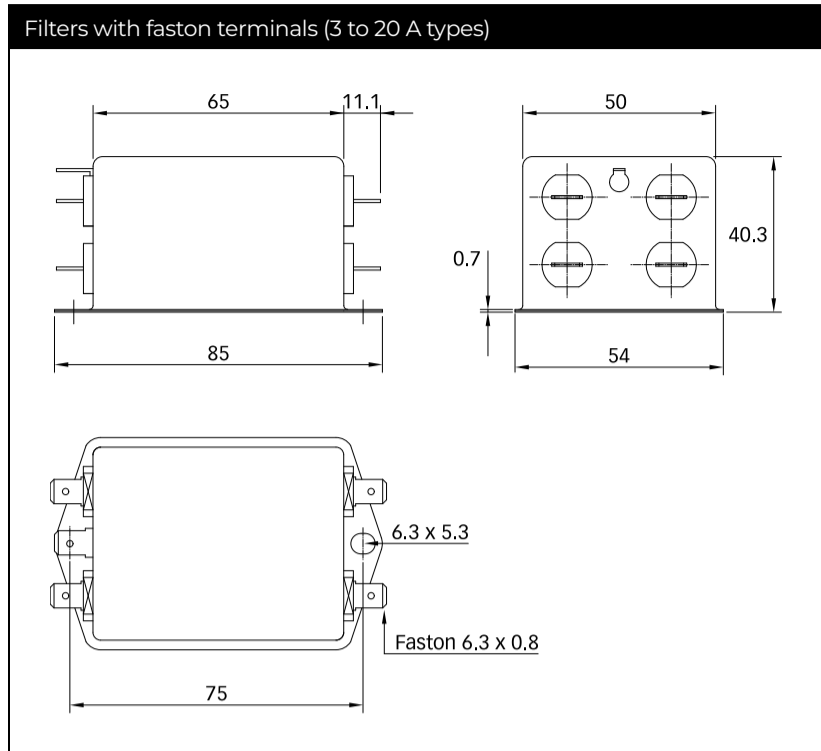
6 A types



10 and 30A types



### Mechanical Data



All dimensions in mm; 1 inch = 25.4 mm  
 Tolerances according: ISO 2768-m / EN 22768-m

Please visit [www.schaffner.com](http://www.schaffner.com) to find more details on connectors.

**Solid wire**

0.5-10 mm<sup>2</sup>

**Flex wire**

0.5-6 mm<sup>2</sup>

**Flex wire AWG**

AWG 20-8

**Recommended torque**

1.0-1.2 Nm



## We are here to help



Read more insights from TE's experts:

## Connect With Us

We make it easier to connect with our experts and are ready to provide the support you need. Visit [te.com/support](https://te.com/support) to chat with a Product Information Specialist.

## te.com

©2025 TE Connectivity plc. All Rights Reserved.

TE Connectivity, TE, TE connectivity (logo), and EVERY CONNECTION COUNTS, ECOSine, Schaffner are trademarks owned or licensed by TE Connectivity plc. family of companies. All other logos, products and/or company names referred to herein might be trademarks of their respective owners.

While TE has made every reasonable effort to ensure the accuracy of the information in this document, TE does not guarantee that it is error-free, nor does TE make any other representation, warranty or guarantee that the information is accurate, correct, reliable or current. TE reserves the right to make any changes to the information contained herein without prior notice. TE Connectivity assumes only those obligations set forth in the terms and conditions for this product and shall in no event be liable for any incidental, indirect, or consequential damages arising out of the sale, resale, use, or misapplication of the product. TE expressly disclaims any implied warranties with respect to the information contained herein, including, but not limited to, implied warranties of merchantability or fitness for a particular purpose. Dimensions, specifications and/or information contained herein are for reference purposes only and are subject to change without notice. Consult TE for the latest dimensions, specifications and/or information. Users of TE Connectivity products must make their own assessment as to whether the respective product is suitable for the respective desired application.

ED 01/25

**schaffner**  
MORE POWER TO YOU

is now part of



## Looking for pricing, stock, or lifecycle information?

Click below to explore more details on WIN SOURCE:

- [View FN355-6-05 on WIN SOURCE](#)
- [Schaffner EMC Inc. Information](#)

## Optimize Your Supply Chain with WIN SOURCE Solutions

- ✓ Global Sourcing Solution
- ✓ Obsolete Management
- ✓ Cost Control Management
- ✓ Shortage Management
- ✓ Alternative Solution
- ✓ Excess Inventory Management