

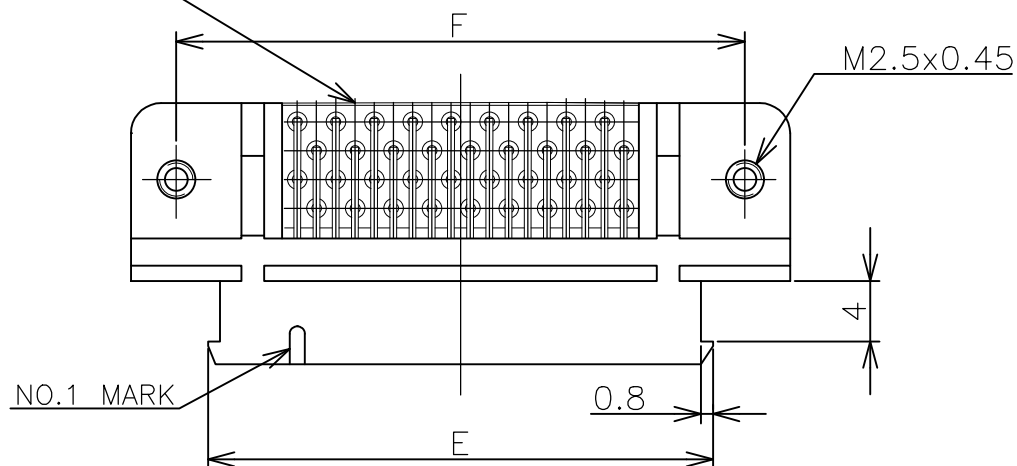


**THE DATASHEET OF**  
**2-5174225-5**



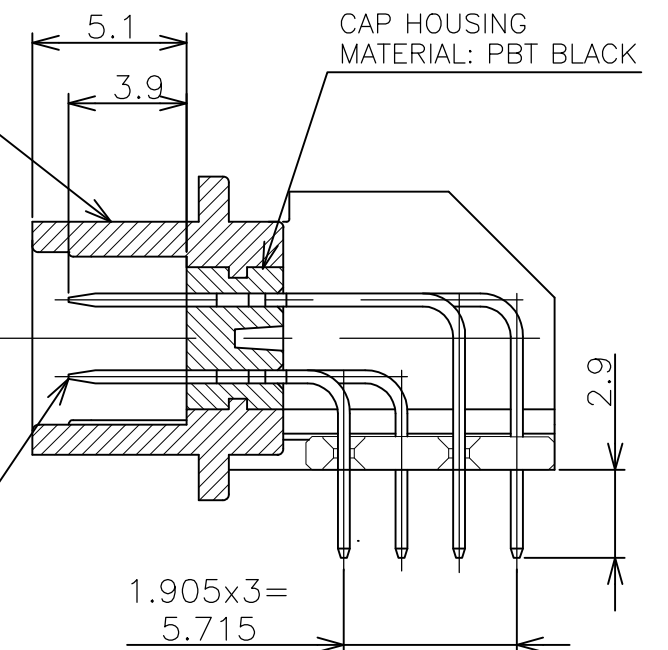
REVISIONS					
P	LTR	DESCRIPTION	DATE	DWN	APVD
D		REVISED PER ECO-18-013844	31AUG2018	AP	DG

TINE PLATE  
MATERIAL : PBT (BLACK)



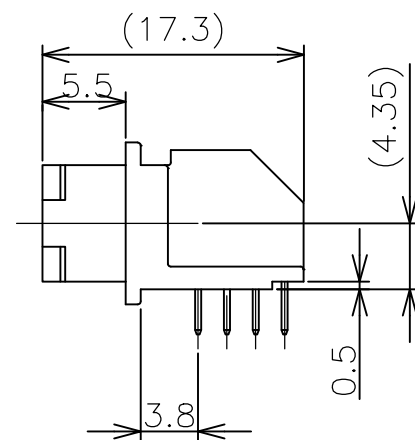
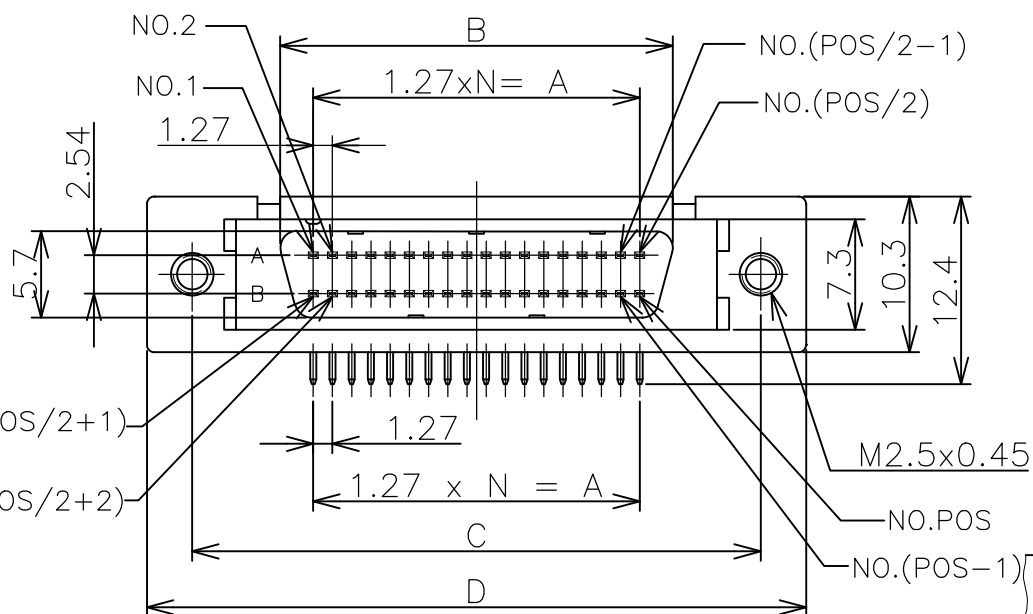
50POS (-4) ONLY

CAP SHIELD  
MATERIAL: ZINC  
FINISH: NICKEL OVER COPPER

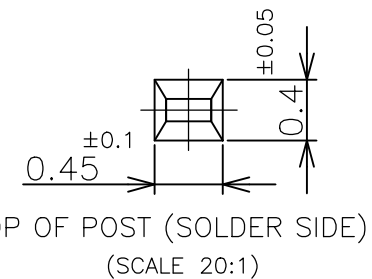


POST CONTACT  
MATERIAL : PHOS BRONZE  
FINISH : GOLD (CONTACT AREA)  
TIN (SOLDER TINE AREA)  
WITH ENTIRE CONTACT  
UNDER PLATED NIKKEL

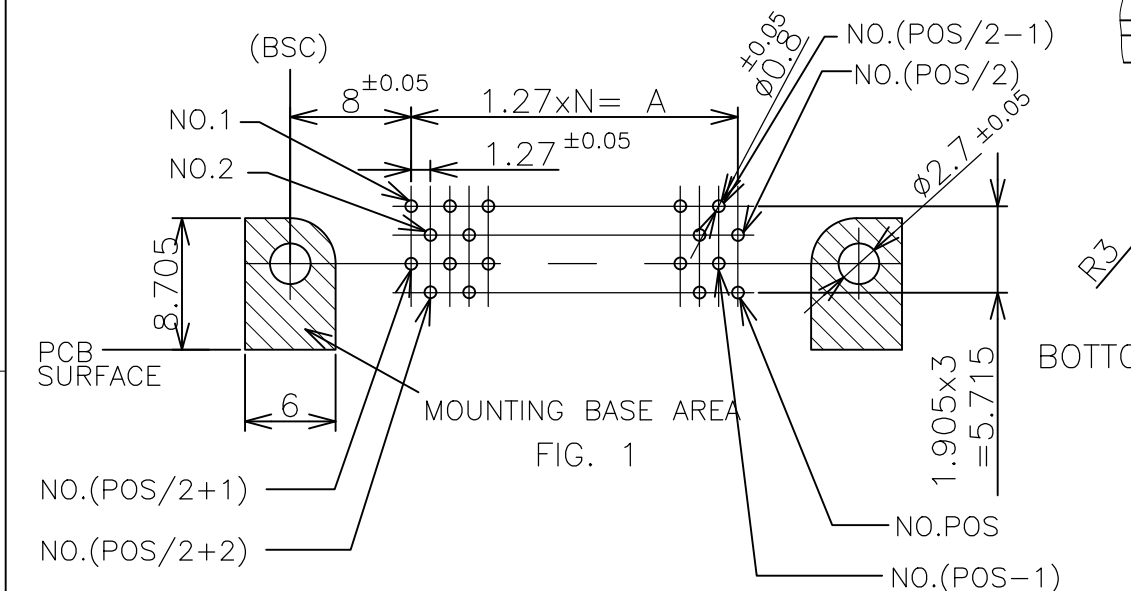
(SCALE 4:1)



LEAD FREE



TOP OF POST (SOLDER SIDE)  
(SCALE 20:1)



BOTTOM VIEW OF MOUNT

OBS	96	47	59.69	64.06	75.7	81.7	71.49	75.7	0.00076 MIN	2-5174225-6
	68	33	41.91	46.28	57.9	63.9	53.71	57.9		2-5174225-5
3	50	24	30.48	34.85	46.5	52.5	42.28	46.5	0.0002 MIN	2-5174225-4
	36	17	21.59	25.96	37.6	43.6	33.39	37.6		2-5174225-3
	96	47	59.69	64.06	75.7	81.7	71.49	75.7	0.0002 MIN	5174225-6
	68	33	41.91	46.28	57.9	63.9	53.71	57.9		5174225-5
3	50	24	30.48	34.85	46.5	52.5	42.28	46.5	0.0002 MIN	5174225-4
	36	17	21.59	25.96	37.6	43.6	33.39	37.6		5174225-3
3	28	13	16.51	20.88	32.5	38.5	28.31	32.5	0.0002 MIN	5174225-2
	20	9	11.43	15.8	27.4	33.4	23.23	27.4		5174225-1
	POS	N	A	B	C	D	E	F	GOLD THK	PART NUMBER

- 1 P.C BOARD HOLE LAY-OUT AS SHOWN FIG. 1
- 2 USE SCREW SIZE ; M2.5 PAN-HEAD SCREW

3 OBSOLETE PARTS: OBSOLETE CIS STREAMLINING PER D.RENAUD/D.SINISI

THIS DRAWING IS A CONTROLLED DOCUMENT.

DWN Roy Hao 17Aug04  
CHK Steven Yao 17Aug04  
APVD I.Enomoto 17Aug04

STE TE Connectivity Ltd.

NAME: POST HEADER (HORIZONTAL M2.5)  
AMPLIMITE .050 SERIES 2  
TYPE B

PRODUCT SPEC: 108-60037-1

APPLICATION SPEC


SIZE: A3 CAGE CODE: 00779 DRAWING NO: C-5174225 RESTRICTED TO: -

MATERIAL: FINISH: WEIGHT: SCALE: 2:1 SHEET: 1 OF 1 REV: D

CUSTOMER DRAWING

## Looking for pricing, stock, or lifecycle information?

Click below to explore more details on WIN SOURCE:

 [View 2-5174225-5 on WIN SOURCE](#)

 [TE Connectivity](#) Information

## Optimize Your Supply Chain with WIN SOURCE Solutions

-  Global Sourcing Solution
-  Obsolete Management
-  Cost Control Management
-  Shortage Management
-  Alternative Solution
-  Excess Inventory Management