

Coaxial

Power Splitter/Combiner

2 Way-0° 50Ω 5 to 500 MHz

ZFSC-2-1+



Generic photo used for illustration purposes only
CASE STYLE: K18

Connectors	Model
BNC	ZFSC-2-1+
SMA	ZFSC-2-1-S+
N-TYPE	ZFSC-2-1-N+
BRACKET (OPTION "B")	

+RoHS Compliant

The +Suffix identifies RoHS Compliance. See our web site for RoHS Compliance methodologies and qualifications

Maximum Ratings

Operating Temperature	-55°C to 100°C
Storage Temperature	-55°C to 100°C
Power Input (as a splitter)	1W max.
Internal Dissipation	0.125W max.

Permanent damage may occur if any of these limits are exceeded.

Coaxial Connections

SUM PORT	3
PORT 1	1
PORT 2	2

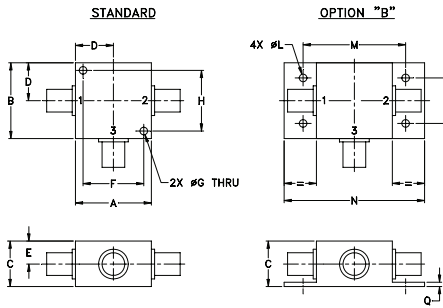
Features

- wideband, 5 to 500 MHz
- low insertion loss, 0.3 dB typ.
- excellent isolation, 28 dB typ.
- excellent amplitude unbalance, 0.1 dB typ.
- good VSWR, 1.2:1 typ.
- rugged shielded case

Applications

- VHF/UHF
- instrumentation
- communication systems

Outline Drawing



Outline Dimensions (inch/mm)

A	B	C	D	E	F	G	H
1.25	1.25	.75	.63	.38	1.00	.125	1.000
31.75	31.75	19.05	16.00	9.65	25.40	3.18	25.40
J	K	L	M	N	P	Q	wt
--	--	.125	1.688	2.18	.75	.07	grams
--	--	3.18	42.88	55.37	19.05	1.78	70.0

For option B with N-type connectors, dimension "C" increases to 0.94 inches.

Electrical Specifications

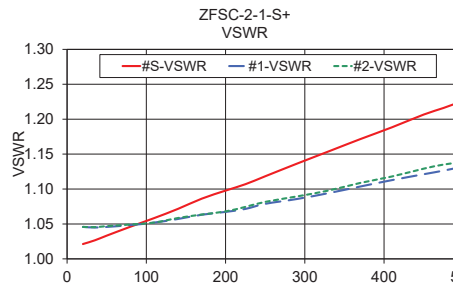
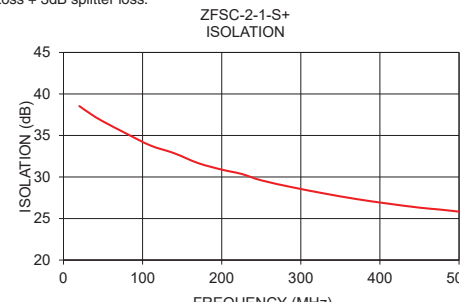
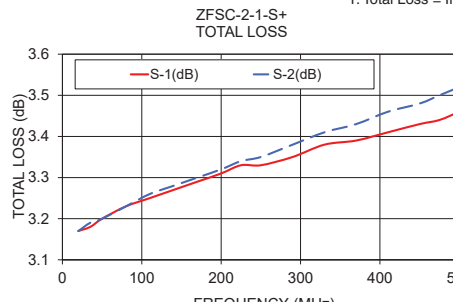
FREQ. RANGE (MHz)	ISOLATION (dB)						INSERTION LOSS (dB) ABOVE 3.0 dB						PHASE UNBALANCE (Degrees)			AMPLITUDE UNBALANCE (dB)		
	L		M		U		L		M		U		L	M	U	L	M	U
	Typ.	Min	Typ.	Min	Typ.	Min	Typ.	Max.	Typ.	Max.	Typ.	Max.	Max.	Max.	Max.	Max.	Max.	Max.
f_L - f_U	30	25	28	20	25	20	0.2	0.5	0.3	0.6	0.6	0.8	2	4	4	0.15	0.15	0.30

L = low range [f_L to $10 f_L$] M = mid range [$10 f_L$ to $f_U/2$] U = upper range [$f_U/2$ to f_U]

Typical Performance Data

Frequency (MHz)	Total Loss ¹ (dB)		Amplitude Unbalance (dB)	Isolation (dB)	Phase Unbalance (deg.)	VSWR S	VSWR 1	VSWR 2
	S-1	S-2						
20	3.17	3.17	0.00	38.54	0.08	1.02	1.05	1.05
35	3.18	3.19	0.00	37.55	0.05	1.03	1.04	1.05
80	3.23	3.23	0.00	35.20	0.01	1.05	1.05	1.05
140	3.27	3.28	0.01	32.86	0.01	1.07	1.06	1.06
170	3.29	3.30	0.01	31.68	0.03	1.09	1.06	1.06
200	3.31	3.32	0.01	30.89	0.05	1.10	1.07	1.07
225	3.33	3.34	0.02	30.37	0.09	1.11	1.07	1.07
250	3.33	3.35	0.02	29.60	0.08	1.12	1.08	1.08
290	3.35	3.38	0.03	28.75	0.13	1.14	1.09	1.09
330	3.38	3.41	0.03	28.01	0.17	1.15	1.09	1.10
370	3.39	3.43	0.04	27.35	0.21	1.17	1.10	1.11
410	3.41	3.46	0.05	26.80	0.25	1.19	1.11	1.12
450	3.43	3.48	0.05	26.31	0.30	1.21	1.12	1.13
475	3.44	3.50	0.06	26.09	0.32	1.22	1.13	1.14
500	3.46	3.52	0.06	25.83	0.34	1.23	1.13	1.14

1. Total Loss = Insertion Loss + 3dB splitter loss.



electrical schematic



Notes

- Performance and quality attributes and conditions not expressly stated in this specification document are intended to be excluded and do not form a part of this specification document.
- Electrical specifications and performance data contained in this specification document are based on Mini-Circuits' applicable established test performance criteria and measurement instructions.
- The parts covered by this specification document are subject to Mini-Circuits' standard limited warranty and terms and conditions (collectively, "Standard Terms"); Purchasers of this part are entitled to the rights and benefits contained therein. For a full statement of the Standard Terms and the exclusive rights and remedies thereunder, please visit Mini-Circuits' website at www.minicircuits.com/MCLStore/terms.jsp



Looking for pricing, stock, or lifecycle information?

Click below to explore more details on WIN SOURCE:

- ⊖ [View ZFSC-2-1-N+ on WIN SOURCE](#)
- ⊖ [Mini-Circuits Information](#)

Optimize Your Supply Chain with WIN SOURCE Solutions

- ✓ Global Sourcing Solution
- ✓ Obsolete Management
- ✓ Cost Control Management
- ✓ Shortage Management
- ✓ Alternative Solution
- ✓ Excess Inventory Management