

## LS 17500

### Primary Li-SOCl<sub>2</sub> cell

High energy density 3.6 V A-size bobbin cell

Saft's LS 17500 cell is ideally suited for long-term applications (typically from 5 to 20+ years), featuring low base currents and periodic pulses.

#### Benefits

- High capacity and high energy (1139 Wh/l and 589 Wh/kg)
- High voltage response, stable during most of the lifetime of the application
- Wide operating temperature range (-60°C / +85°C)
- Low self-discharge, compatible with a long operating life (less than 1% per year of storage, at +20°C, after 1 year)
- Superior resistance to corrosion
- Low magnetic signature

#### Key features

- Bobbin construction
- Well controlled passivation
- Hermetic construction with glass-to-metal seal
- Stainless steel can
- Non-flammable electrolyte
- RoHS and REACH compliance
- Manufactured in France, China, UK

#### Designed to meet all major quality, safety and environment standards

- Safety: UL 1642, IEC 60086-4
- IEC 60079-11 part 10.5, (T4 temperature rating at +60°C)
- Transport: UN 3090 and UN 3091
- Quality: ISO 9001, Saft World Class continuous evaluation program

#### Typical Applications

- Utility Metering
- Internet of Things
- Tracking systems
- Alarms and security
- Connected sensors
- Medical devices



#### Electrical characteristics<sup>1</sup>

Nominal capacity (under 3 mA, +20°C, 2.0 V cut-off) <sup>3</sup>	3.6 Ah
Open circuit voltage (at +20°C)	3.67 V
Nominal voltage (under 0.1 mA, + 20°C)	3.6 V
Nominal energy	12.96 Wh
Pulse capability <sup>4</sup>	Up to 250 mA
Maximum recommended continuous current	100 mA

#### Operating conditions

Operating temperature range <sup>5</sup>	-60°C / +85°C (-76°F / +185°F)
Storage temperatures (max. recommended) <sup>6</sup>	+30°C (+86°F)

#### Physical characteristics<sup>2</sup>

Diameter (max)	17.16 mm (0.67 in)
Height (max)	50.77 mm (1.99 in)
Typical weight	23 g (0.81 oz)
Li metal content	approx. 0.9 g

#### Termination suffix

CN, CNR	Radial tabs
2 PF, 3 PF, 3 PF RP, 4 PF	Radial pins
CNA	Axial leads
FL	Flying leads

#### Other configurations upon request

<sup>1</sup>Typical values relative to cells stored up to one year at +30°C max.

<sup>2</sup>Sleeved cell.

<sup>3</sup>Dependent upon current drain, temperature, cut-off and cell orientation.

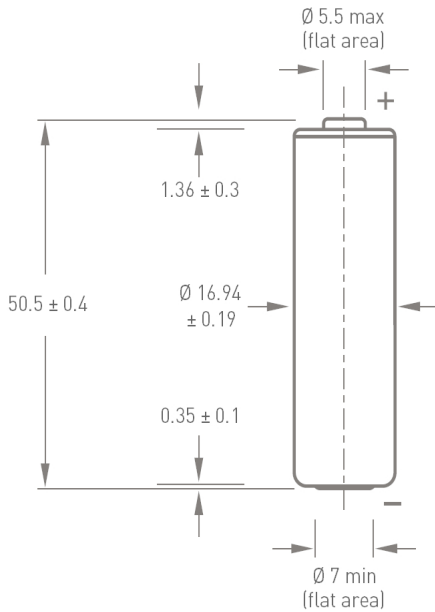
<sup>4</sup>Under 250 mA / 0.1 second pulses, drained every 2 minutes at +20°C from undischarged cells during 24 h, with 10 µA base current, yield voltage readings above 3.0 V after initial stabilisation. The readings may vary according to the pulse characteristics, the temperature, and the cell's previous history. Fitting the cell with a capacitor may be recommended in severe conditions or for high pulse currents. Consult Saft.

<sup>5</sup>Operation above ambient temperature may lead to reduced capacity and lower voltage readings. Consult Saft.

<sup>6</sup>For more severe conditions, consult Saft.

## LS 17500

Primary Li-SOCl<sub>2</sub> cell



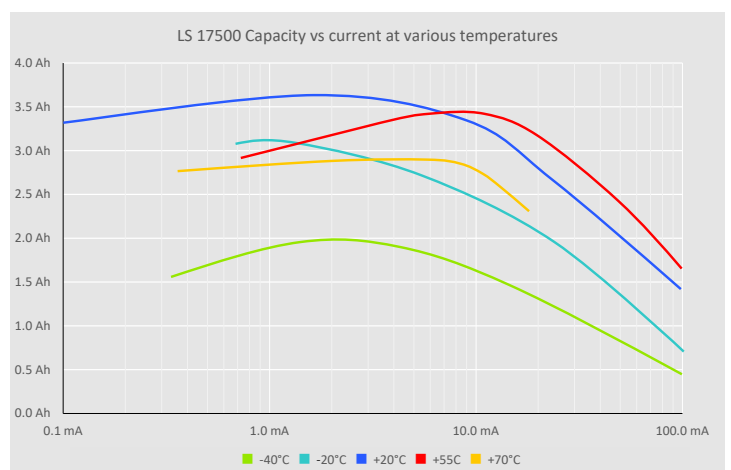
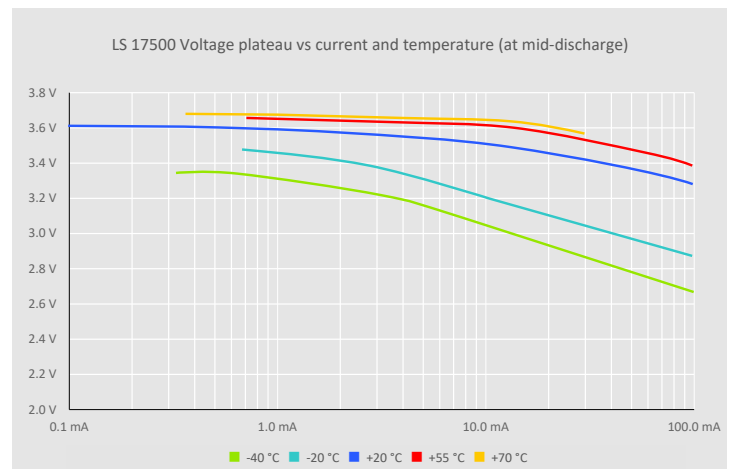
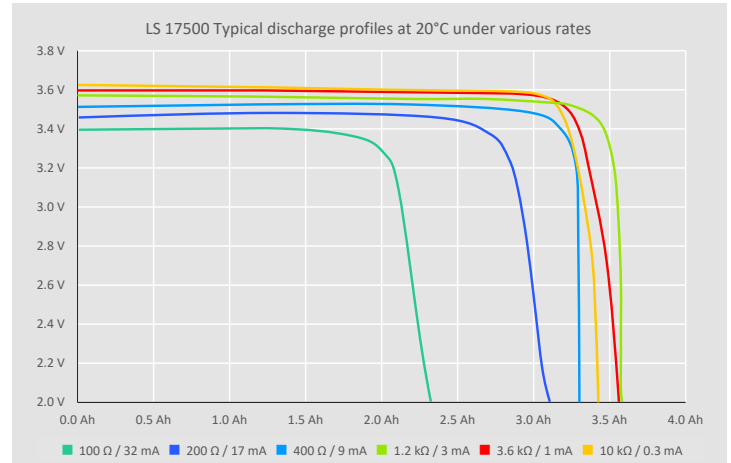
Dimensions in mm

### Storage

- The storage area should be clean, cool (preferably not exceeding +30°C), dry and ventilated.


### Warning

- Fire, explosion and severe burn hazard.
- Do not recharge, short circuit, crush, disassemble, heat above 100°C (212°F), incinerate, or expose contents to water.
- Do not solder directly to the cell (use tabbed cell versions instead).




## Looking for pricing, stock, or lifecycle information?

Click below to explore more details on WIN SOURCE:

 [View LS17500 on WIN SOURCE](#)

 [Saft Information](#)

## Optimize Your Supply Chain with WIN SOURCE Solutions

-  Global Sourcing Solution
-  Obsolete Management
-  Cost Control Management
-  Shortage Management
-  Alternative Solution
-  Excess Inventory Management