



T8 Data Sheet

DST8-v4.0
January 2022
www.efinixinc.com



Contents

| | |
|--|-----------|
| Introduction..... | 4 |
| Features..... | 4 |
| Available Package Options..... | 5 |
| Device Core Functional Description..... | 6 |
| XLR Cell..... | 6 |
| Logic Cell..... | 7 |
| Embedded Memory..... | 7 |
| Multipliers..... | 8 |
| Global Clock Network..... | 8 |
| Clock and Control Distribution Network..... | 9 |
| Global Clock Location (QFP144)..... | 9 |
| Device Interface Functional Description..... | 11 |
| Interface Block Connectivity..... | 11 |
| General-Purpose I/O Logic and Buffer..... | 12 |
| I/O Banks..... | 13 |
| T8 BGA49 and BGA81 Interface Description..... | 14 |
| Simple I/O Buffer..... | 14 |
| Simple PLL..... | 15 |
| Oscillator..... | 16 |
| T8 QFP144 Interface Description..... | 17 |
| Complex I/O Buffer..... | 17 |
| Advanced PLL..... | 19 |
| LVDS..... | 22 |
| Power Up Sequence..... | 26 |
| Power Supply Current Transient..... | 26 |
| Configuration..... | 27 |
| Supported Configuration Modes..... | 28 |
| Mask-Programmable Memory Option..... | 28 |
| DC and Switching Characteristics (BGA49 and BGA81)..... | 29 |
| DC and Switching Characteristics (QFP144)..... | 32 |
| LVDS I/O Electrical and Timing Specifications (QFP144)..... | 36 |
| ESD Performance..... | 37 |
| Configuration Timing..... | 37 |
| Maximum t_{USER} for SPI Active and Passive Modes..... | 40 |
| PLL Timing and AC Characteristics (BGA49 and BGA81)..... | 41 |
| PLL Timing and AC Characteristics (QFP144)..... | 42 |
| Internal Oscillator (BGA49 and BGA81)..... | 42 |
| Pinout Description..... | 43 |
| Efinity Software Support..... | 46 |
| T8 Interface Floorplan..... | 46 |

Ordering Codes..... 47
Revision History.....48

Introduction

The T8 FPGA features the high-density, low-power Efinix® Quantum™ architecture wrapped with an I/O interface in a small footprint package for easy integration. T8 FPGAs support mobile, consumer, and IoT edge markets that need low power, low cost, and a small form factor. With ultra-low power T8 FPGAs, designers can build products that are always on, providing enhanced capabilities for applications such as embedded vision, voice and gesture recognition, intelligent sensor hubs, and power management.

Features

- High-density, low-power Quantum™ architecture
- Built on SMIC 40 nm process
- Less than 150 μ A typical core leakage current at 1.1 V⁽¹⁾
- Ultra-small footprint package options
- FPGA interface blocks
 - GPIO
 - PLL
 - LVDS 600 Mbps per lane with up to 6 TX pairs and 6 RX pairs⁽²⁾
 - Oscillator
- Programmable high-performance I/O
 - Supports 1.8, 2.5, and 3.3 V single-ended I/O standards and interfaces⁽³⁾
- Flexible on-chip clocking
 - 12 low-skew global clock signals can be driven from off-chip external clock signals or PLL synthesized clock signals
 - PLL support
- Flexible device configuration
 - Standard SPI interface (active, passive, and daisy chain)
 - JTAG interface
 - Optional Mask Programmable Memory (MPM) capability
- Fully supported by the Efinity® software, an RTL-to-bitstream compiler

Table 1: T8 FPGA Resources

| LEs ⁽⁴⁾ | Dedicated Global Clocks | Dedicated Global Controls | Embedded Memory (kbits) | Embedded Memory Blocks (5 Kbits) | Embedded Multipliers |
|--------------------|-------------------------|---------------------------|-------------------------|----------------------------------|----------------------|
| 7,384 | Up to 16 | Up to 8 | 122.88 | 24 | 8 |

⁽¹⁾ BGA49 and BGA81 packages only.

⁽²⁾ LVDS pins are only available in QFP144 packages.

⁽³⁾ LVDS pins used as GPIO only support 3.3 V.

⁽⁴⁾ Logic capacity in equivalent LE counts.

Table 2: T8 FPGA Package-Dependent Resources

| Resource | BGA49 | BGA81 | QFP144 |
|--------------------------------|--------------|--------------|--------------------------|
| Available GPIO ⁽⁵⁾ | 33 | 55 | 97 |
| Global clocks from GPIO pins | 4 | 8 | 6 |
| Global controls from GPIO pins | 5 | 8 | 8 |
| PLL (simple) | 1 | 1 | - |
| PLL (advanced) | - | - | 5 |
| Oscillator | 1 | 1 | - |
| MPM | 1 (optional) | 1 (optional) | 1 (optional) |
| LVDS | - | - | 6 TX pairs 6 RX pairs |



Learn more: Refer to the [Trion Packaging User Guide](#) for the package outlines and markings.

Available Package Options

Table 3: Available Packages

| Package | Dimensions (mm x mm) | Pitch (mm) |
|-----------------------------|----------------------|------------|
| 49-ball FBGA ⁽⁶⁾ | 3 x 3 | 0.4 |
| 81-ball FBGA | 5 x 5 | 0.5 |
| 144-pin QFP | 20 x 20 | 0.5 |

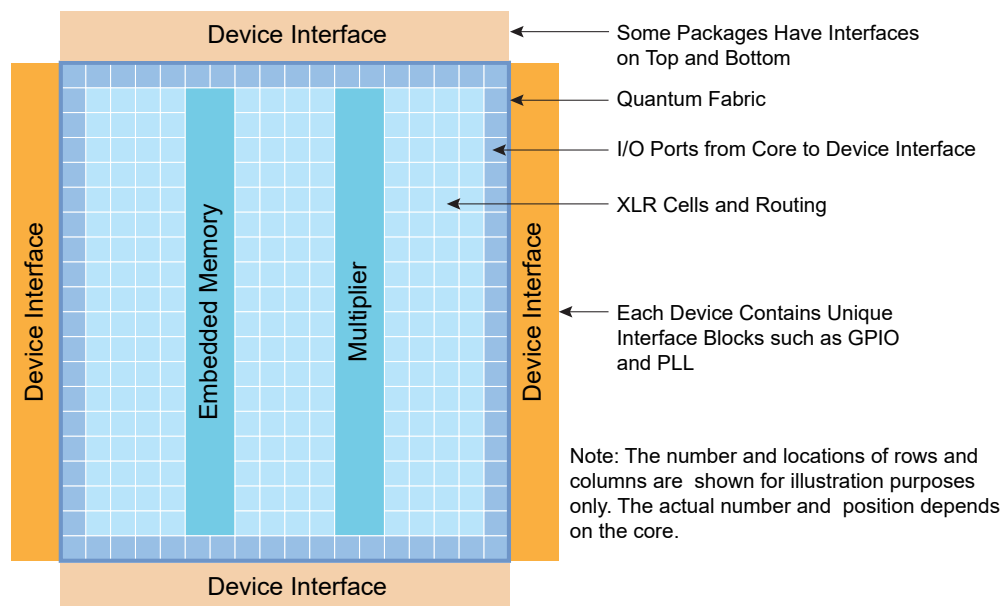
⁽⁵⁾ The LVDS I/O pins are dual-purpose. The full number of GPIO are available when all LVDS I/O pins are in GPIO mode. GPIO and LVDS as GPIO supports different features. See [Table 9: Supported Features for GPIO and LVDS as GPIO](#) on page 13.

⁽⁶⁾ This package does not have dedicated JTAG pins (TDI, TDO, TCK, TMS).

Device Core Functional Description

T8 FPGAs feature an eXchangeable Logic and Routing (XLR) cell that Efinix has optimized for a variety of applications. Trion[®] FPGAs contain three building blocks constructed from XLR cells: logic elements, embedded memory blocks, and multipliers. Each FPGA in the Trion[®] family has a custom number of building blocks to fit specific application needs. As shown in the following figure, the FPGA includes I/O ports on all four sides, as well as columns of XLR cells, memory, and multipliers. A control block within the FPGA handles configuration.

Figure 1: T8 FPGA Block Diagram



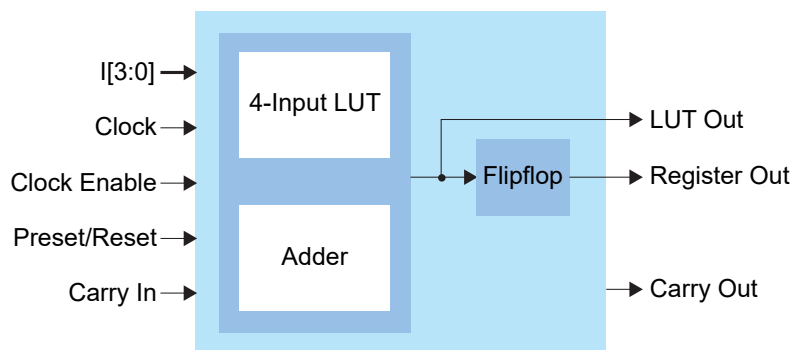
XLR Cell

The eXchangeable Logic and Routing (XLR) cell is the basic building block of the Quantum[™] architecture. The Efinix XLR cell combines logic and routing and supports both functions interchangeably. This unique innovation greatly enhances the transistor flexibility and utilization rate, thereby reducing transistor counts and silicon area significantly.

Logic Cell

The logic cell comprises a 4-input LUT or a full adder plus a register (flipflop). You can program each LUT as any combinational logic function with four inputs. You can configure multiple logic cells to implement arithmetic functions such as adders, subtractors, and counters.

Figure 2: Logic Cell Block Diagram



Embedded Memory

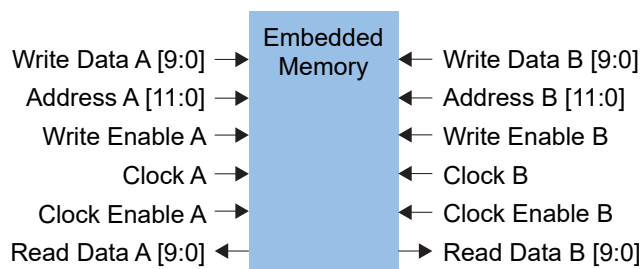
The core has 5-kbit high-speed, synchronous, embedded SRAM memory blocks. Memory blocks can operate as single-port RAM, simple dual-port RAM, true dual-port RAM, FIFOs, or ROM. You can initialize the memory content during configuration. The Efinity[®] software includes a memory cascading feature to connect multiple blocks automatically to form a larger array. This feature enables you to instantiate deeper or wider memory modules.

The memory read and write ports have the following modes for addressing the memory (depth x width):

| | | | |
|----------|----------|----------|----------|
| 256 x 16 | 1024 x 4 | 4096 x 1 | 512 x 10 |
| 512 x 8 | 2048 x 2 | 256 x 20 | 1024 x 5 |

The read and write ports support independently configured data widths.

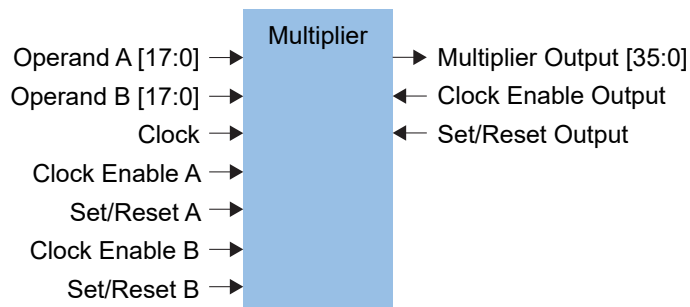
Figure 3: Embedded Memory Block Diagram (True Dual-Port Mode)



Multipliers

The FPGA has high-performance multipliers that support 18 x 18 fixed-point multiplication. Each multiplier takes two signed 18-bit input operands and generates a signed 36-bit output product. The multiplier has optional registers on the input and output ports.

Figure 4: Multiplier Block Diagram

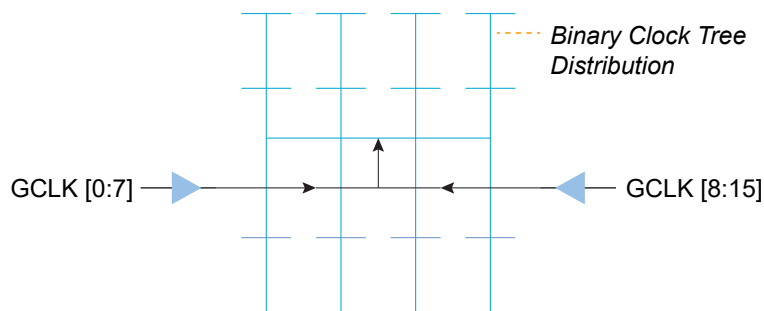


Global Clock Network

The Quantum™ core fabric supports up to 16 global clock (GCLK) signals feeding 16 pre-built global clock networks. Global clock pins (GPIO), PLL outputs, oscillator output, and core-generated clocks can drive the global clock network.

The global clock networks are balanced clock trees that feed all FPGA modules. Each network has dedicated clock-enable logic to save power by disabling the clock tree at the root. The logic dynamically enables/disables the network and guarantees no glitches at the output.

Figure 5: Global Clock Network



Clock and Control Distribution Network

The global clock network is distributed through the device to provide clocking for the core's LEs, memory, multipliers, and I/O blocks. Designers can access the T8 global clock network using the global clock GPIO pins, PLL outputs, oscillator output, and core-generated clocks. Similarly, the T8 has GPIO pins (the number varies by package) that the designer can configure as control inputs to access the high-fanout network connected to the LE's set, reset, and clock enable signals.



Learn more: Refer to the **T8 pinout** for information on the location and names of these pins.

Global Clock Location (QFP144)

The following tables describe the location of the global clock signals in T8 FPGAs QFP144 package.

Table 4: Left Clock Input from GPIO Pins

| Function Name | Resource Name | GCLK[0] | GCLK[1] | GCLK[2] | GCLK[3] | GCLK[4] | GCLK[5] | GCLK[6] | GCLK[7] |
|---------------|---------------|---------|---------|---------|---------|---------|---------|---------|---------|
| CLK0 | GPIOL_24 | ✓ | - | - | - | ✓ | - | - | - |
| CLK1 | GPIOL_25 | - | ✓ | - | - | - | ✓ | - | - |
| CLK2 | GPIOL_26 | - | - | ✓ | - | - | - | ✓ | - |
| CLK3 | GPIOL_27 | - | - | - | ✓ | - | - | - | ✓ |
| CLK4 | GPIOL_28 | ✓ | - | - | - | ✓ | - | - | - |
| CLK5 | GPIOL_29 | - | ✓ | - | - | - | ✓ | - | - |
| CLK6 | GPIOL_30 | - | - | ✓ | - | - | - | ✓ | - |
| CLK7 | GPIOL_31 | - | - | - | ✓ | - | - | - | ✓ |

Table 5: Left Clock from PLL OUTCLK Signal

| PLL Reference | CLKOUT | GCLK[0] | GCLK[1] | GCLK[2] | GCLK[3] | GCLK[4] | GCLK[5] | GCLK[6] | GCLK[7] |
|---------------|---------|---------|---------|---------|---------|---------|---------|---------|---------|
| PLL_TL0 | CLKOUT0 | ✓ | - | - | - | - | - | ✓ | - |
| | CLKOUT1 | - | ✓ | ✓ | - | - | - | - | - |
| | CLKOUT2 | - | ✓ | ✓ | - | - | - | - | - |
| PLL_TL1 | CLKOUT0 | - | - | - | ✓ | - | - | - | ✓ |
| | CLKOUT1 | - | - | - | - | ✓ | ✓ | - | - |
| | CLKOUT2 | - | - | - | - | ✓ | ✓ | - | - |

Table 6: Right Clock Input from GPIO Pins

| Function Name | Resource Name | GCLK[8] | GCLK[9] | GCLK[10] | GCLK[11] | GCLK[12] | GCLK[13] | GCLK[14] | GCLK[15] |
|---------------|---------------|---------|---------|----------|----------|----------|----------|----------|----------|
| CLK0 | GPIOR_127 | ✓ | - | - | - | ✓ | - | - | - |
| CLK1 | GPIOR_126 | - | ✓ | - | - | - | ✓ | - | - |
| CLK2 | GPIOR_125 | - | - | ✓ | - | - | - | ✓ | - |
| CLK3 | GPIOR_124 | - | - | - | ✓ | - | - | - | ✓ |
| CLK4 | GPIOR_123 | ✓ | - | - | - | ✓ | - | - | - |
| CLK5 | GPIOR_122 | - | ✓ | - | - | - | ✓ | - | - |
| CLK6 | GPIOR_121 | - | - | ✓ | - | - | - | ✓ | - |
| CLK7 | GPIOR_120 | - | - | - | ✓ | - | - | - | ✓ |

Table 7: Right Clock from PLL OUTCLK Signal

| PLL Reference | CLKOUT | GCLK[8] | GCLK[9] | GCLK[10] | GCLK[11] | GCLK[12] | GCLK[13] | GCLK[14] | GCLK[15] |
|---------------|---------|---------|---------|----------|----------|----------|----------|----------|----------|
| PLL_TR0 | CLKOUT0 | ✓ | - | - | - | - | - | ✓ | - |
| | CLKOUT1 | - | ✓ | ✓ | - | - | - | - | - |
| | CLKOUT2 | - | ✓ | ✓ | - | - | - | - | - |
| PLL_TR1 | CLKOUT0 | - | - | - | ✓ | - | - | - | ✓ |
| | CLKOUT1 | - | - | - | - | ✓ | ✓ | - | - |
| | CLKOUT2 | - | - | - | - | ✓ | ✓ | - | - |
| PLL_BR0 | CLKOUT0 | ✓ | - | - | - | - | - | - | ✓ |
| | CLKOUT1 | - | ✓ | ✓ | - | - | - | - | - |
| | CLKOUT2 | - | ✓ | ✓ | - | - | - | - | - |

Device Interface Functional Description

The device interface wraps the core and routes signals between the core and the device I/O pads through a signal interface. Because they use the flexible Quantum™ architecture, devices in the Trion® family support a variety of interfaces to meet the needs of different applications.



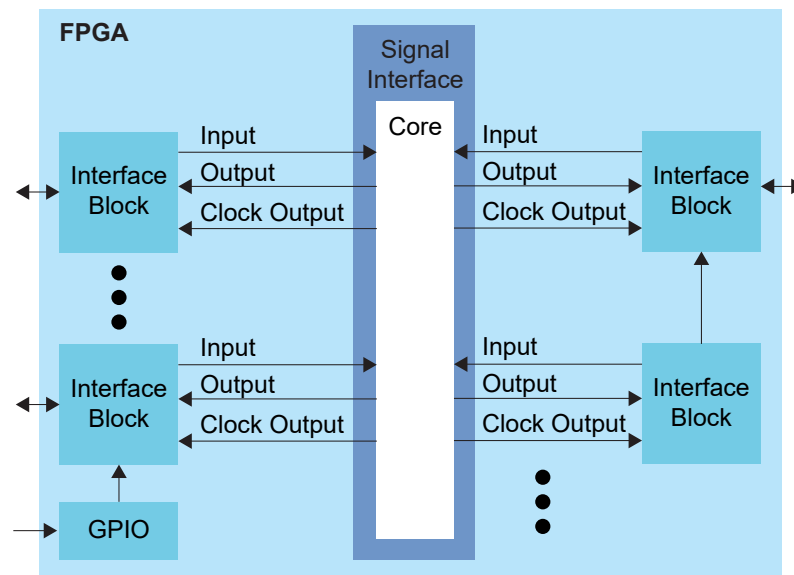
Learn more: The following sections describe the available device interface features in T8 FPGAs. Refer to the [Trion® Interfaces User Guide](#) for details on the Efinity® Interface Designer settings.

Interface Block Connectivity

The FPGA core fabric connects to the interface blocks through a signal interface. The interface blocks then connect to the package pins. The core connects to the interface blocks using three types of signals:

- *Input*—Input data or clock to the FPGA core
- *Output*—Output from the FPGA core
- *Clock output*—Clock signal from the core clock tree

Figure 6: Interface Block and Core Connectivity



GPIO blocks are a special case because they can operate in several modes. For example, in alternate mode the GPIO signal can bypass the signal interface and directly feed another interface block. So a GPIO configured as an alternate input can be used as a PLL reference clock without going through the signal interface to the core.

When designing for Trion® FPGAs, you create an RTL design for the core and also configure the interface blocks. From the perspective of the core, outputs from the core are inputs to the interface block and inputs to the core are outputs from the interface block.

The Efinity netlist always shows signals from the perspective of the core, so some signals do not appear in the netlist:

- GPIO used as reference clocks are not present in the RTL design, they are only visible in the interface block configuration of the Efinity® Interface Designer.

- The FPGA clock tree is connected to the interface blocks directly. Therefore, clock outputs from the core to the interface are not present in the RTL design, they are only part of the interface configuration (this includes GPIO configured as output clocks).

The following sections describe the different types of interface blocks in the T8. Signals and block diagrams are shown from the perspective of the interface, not the core.

General-Purpose I/O Logic and Buffer

The GPIO support the 3.3 V LVTTL and 1.8 V, 2.5 V, and 3.3 V LVCMOS I/O standards. The GPIOs are grouped into banks. Each bank has its own VCCIO that sets the bank voltage for the I/O standard.

Each GPIO consists of I/O logic and an I/O buffer. I/O logic connects the core logic to the I/O buffers. I/O buffers are located at the periphery of the device.

The I/O logic comprises three register types:

- *Input*—Capture interface signals from the I/O before being transferred to the core logic
- *Output*—Register signals from the core logic before being transferred to the I/O buffers
- *Output enable*—Enable and disable the I/O buffers when I/O used as output

Table 8: GPIO Modes

| GPIO Mode | Description |
|---------------|---|
| Input | <p>Only the input path is enabled; optionally registered. If registered, the input path uses the input clock to control the registers (positively or negatively triggered).</p> <p>Select the alternate input path to drive the alternate function of the GPIO. The alternate path cannot be registered.</p> <p>QFP144 packages: In DDIO mode, two registers sample the data on the positive and negative edges of the input clock, creating two data streams.</p> |
| Output | <p>Only the output path is enabled; optionally registered. If registered, the output path uses the output clock to control the registers (positively or negatively triggered).</p> <p>The output register can be inverted.</p> <p>QFP144 packages: In DDIO mode, two registers capture the data on the positive and negative edges of the output clock, multiplexing them into one data stream.</p> |
| Bidirectional | <p>The input, output, and OE paths are enabled; optionally registered. If registered, the input clock controls the input register, the output clock controls the output and OE registers. All registers can be positively or negatively triggered. Additionally, the input and output paths can be registered independently.</p> <p>The output register can be inverted.</p> |
| Clock output | Clock output path is enabled. |

Table 9: Supported Features for GPIO and LVDS as GPIO

LVDS as GPIO are LVDS pins that act as GPIOs instead of the LVDS function.

| Package | GPIO | LVDS as GPIO |
|----------------|---|--------------|
| BGA49 BGA81 | Schmitt Trigger Variable Drive Strength Pull-up Pull-down Slew Rate | - |
| QFP144 | DDIO Schmitt Trigger Variable Drive Strength Pull-up Pull-down Slew Rate | Pull-up |



Important: Efinix® recommends that you limit the number of LVDS as GPIO set as output and bidirectional to 16 per bank to avoid switching noise. The Efinity software issues a warning if you exceed the recommended limit.

During configuration, all GPIO pins excluding LVDS as GPIO are configured in weak pull-up mode.

During user mode, unused GPIO pins are tri-stated and configured in weak pull-up mode. You can change the default mode to weak pull-down in the Interface Designer.



Note: Refer to [Table 35: Single-Ended I/O Buffer Drive Strength Characteristics](#) on page 30 and [Table 47: Single-Ended I/O Buffer Drive Strength Characteristics](#) on page 34 for more information.

I/O Banks

Efinix FPGAs have input/output (I/O) banks for general-purpose usage. Each I/O bank has independent power pins. The number and voltages supported vary by FPGA and package.

The number of banks and the voltages they support vary by package.

Some I/O banks are merged at the package level by sharing VCCIO pins. Merged banks have underscores () between banks in the name (e.g., 1B_1C means 1B and 1C are connected).

Table 10: I/O Banks by Package

| Package | I/O Banks | Voltage (V) | Banks with DDIO Support | Merged Banks |
|--------------|------------------|---------------|-------------------------------|--------------|
| BGA49, BGA81 | 1A - 1C, 2A, 2B | 1.8, 2.5, 3.3 | - | - |
| QFP144 | 1A - 1E, 3A - 3E | 1.8, 2.5, 3.3 | 1B, 1C, 1D, 3B, 3C, 3D, 3E | 1C_1D, 3B_3C |
| | 4A, 4B | 3.3 | - | - |



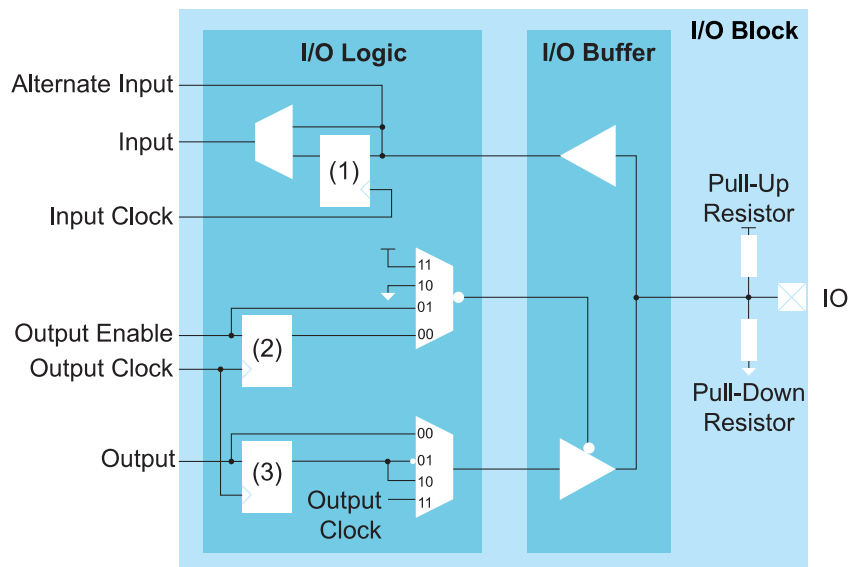
Learn more: Refer to the [T8 pinout](#) for information on the I/O bank assignments.

T8 BGA49 and BGA81 Interface Description

T8 FPGAs in BGA49 and BGA81 packages have simple general-purpose I/O logic and buffers, I/O banks, a simple PLL, and an oscillator.

Simple I/O Buffer

Figure 7: I/O Interface Block



Notes:

1. Input Register
2. Output Enable Register
3. Output Register

Table 11: GPIO Signals

| Signal | Direction | Description |
|--------|-----------|---|
| IN | Output | Input data from the GPIO pad to the core fabric. |
| ALT | Output | Alternative input connection (in the Interface Designer, the input Register Option is none). Alternative connections are GCLK, GCTRL, and PLL_CLKIN. |
| OUT | Input | Output data to GPIO pad from the core fabric. |
| OE | Input | Output enable from core fabric to the I/O block. Can be registered. |
| OUTCLK | Input | Core clock that controls the output and OE register. This clock is not visible in the user netlist. |
| INCLK | Input | Core clock that controls the input register. This clock is not visible in the user netlist. |

Table 12: GPIO Pads

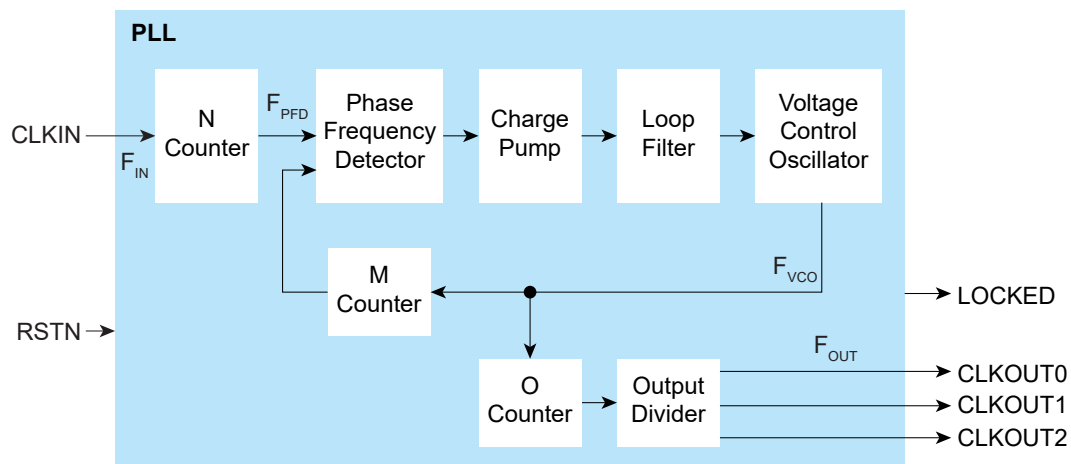
| Signal | Direction | Description |
|--------|---------------|-------------|
| IO | Bidirectional | GPIO pad. |

Simple PLL

T8 FPGAs in BGA49 and BGA81 packages have a simple PLL.

The T8 has 1 PLL to synthesize clock frequencies. The PLL's reference clock input comes from a dedicated GPIO's alternate input pin. The PLL consists of a pre-divider counter (N counter), a feedback multiplier counter (M counter), post-divider counter (O counter), and an output divider per clock output.

Figure 8: T8 PLL Block Diagram



| The counter settings define the PLL output frequency: | where: |
|--|---|
| $F_{PFD} = F_{IN} / N$ | F_{VCO} is the voltage control oscillator frequency |
| $F_{VCO} = F_{PFD} \times M$ | F_{OUT} is the output clock frequency |
| $F_{OUT} = F_{VCO} / (O \times \text{Output divider})$ | F_{IN} is the reference clock frequency |
| | F_{PFD} is the phase frequency detector input frequency |

- Note:** The reference clock must be between 10 and 50 MHz.
The PFD input must be between 10 and 50 MHz.
The VCO frequency must be between 500 and 1,500 MHz.

Unlike other Trion® FPGAs, the T8 simple PLL output locks on the *negative* clock edge (not the positive edge). When you are using two or more clock outputs, they are aligned on the falling edge. If the core register receiving the clock is positive edge triggered, Efinix recommends inverting the clock outputs so they are correctly edge aligned.

Figure 9: Simple PLL Output Aligned with Negative Edge

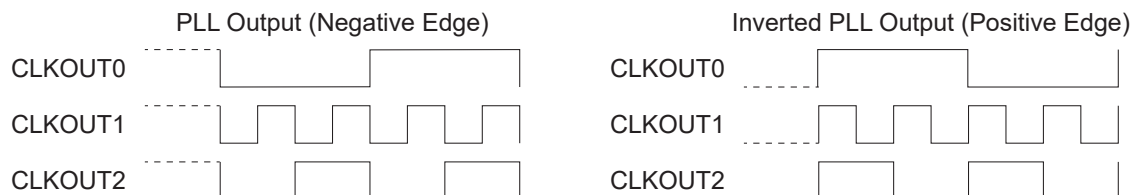


Table 13: PLL Pins

| Port | Direction | Description |
|-------------------------------|-----------|---|
| CLKIN | Input | Reference clock. This port is also a GPIO pin; the GPIO pins' alternate function is configured as a reference clock. |
| RSTN | Input | Active-low PLL reset signal. When asserted, this signal resets the PLL; when de-asserted, it enables the PLL. Connect this signal in your design to power up or reset the PLL. Assert the RSTN pin for a minimum pulse of 10 ns to reset the PLL. |
| CLKOUT0 CLKOUT1 CLKOUT2 | Output | PLL output. The designer can route these signals as input clocks to the core's GCLK network. |
| LOCKED | Output | Goes high when PLL achieves lock; goes low when a loss of lock is detected. Connect this signal in your design to monitor the lock status. This signal is analog asynchronous. |

Table 14: PLL Settings

Configure these settings in the Efinity® Interface Designer.

| Setting | Allowed Values | Notes |
|----------------|-------------------------------|---------------------------|
| N counter | 1 - 15 (integer) | Pre-divider |
| M counter | 1 - 255 (integer) | Multiplier |
| O counter | 1, 2, 4, 8 | Post-divider |
| Output divider | 2, 4, 8, 16, 32, 64, 128, 256 | Output divider per output |

Oscillator

T8 FPGAs in BGA49 and BGA81 packages have an oscillator.

The T8 has 1 low-frequency oscillator tailored for low-power operation. The oscillator runs at nominal frequency of 10 kHz. Designers can use the oscillator to perform always-on functions with the lowest power possible. Its output clock is available to the GCLK network.

T8 QFP144 Interface Description

T8 FPGAs in QFP144 packages have an advanced general-purpose I/O logic and buffers, I/O banks, an advanced PLL, and an LVDS interface.

Complex I/O Buffer

Table 15: GPIO Signals (Interface to FPGA Fabric)

| Signal | Direction | Description |
|----------|-----------|--|
| IN[1:0] | Output | Input data from the GPIO pad to the core fabric. IN0 is the normal input to the core. In DDIO mode, IN0 is the data captured on the positive clock edge (HI pin name in the Interface Designer) and IN1 is the data captured on the negative clock edge (LO pin name in the Interface Designer). |
| ALT | Output | Alternative input connection (in the Interface Designer, Register Option is none). Alternative connections are GCLK, GCTRL, PLL_CLKIN and PLL_EXTFB. |
| OUT[1:0] | Input | Output data to GPIO pad from the core fabric. OUT0 is the normal output from the core. In DDIO mode, OUT0 is the data captured on the positive clock edge (HI pin name in the Interface Designer) and OUT1 is the data captured on the negative clock edge (LO pin name in the Interface Designer). |
| OE | Input | Output enable from core fabric to the I/O block. Can be registered. |
| OUTCLK | Input | Core clock that controls the output and OE registers. This clock is not visible in the user netlist. |
| INCLK | Input | Core clock that controls the input registers. This clock is not visible in the user netlist. |

Table 16: GPIO Pads

| Signal | Direction | Description |
|--------|---------------|-------------|
| IO | Bidirectional | GPIO pad. |

Double-Data I/O

T8 FPGAs support double data I/O (DDIO) on input and output registers. In this mode, the DDIO register captures data on both positive and negative clock edges. The core receives 2 bit wide data from the interface.

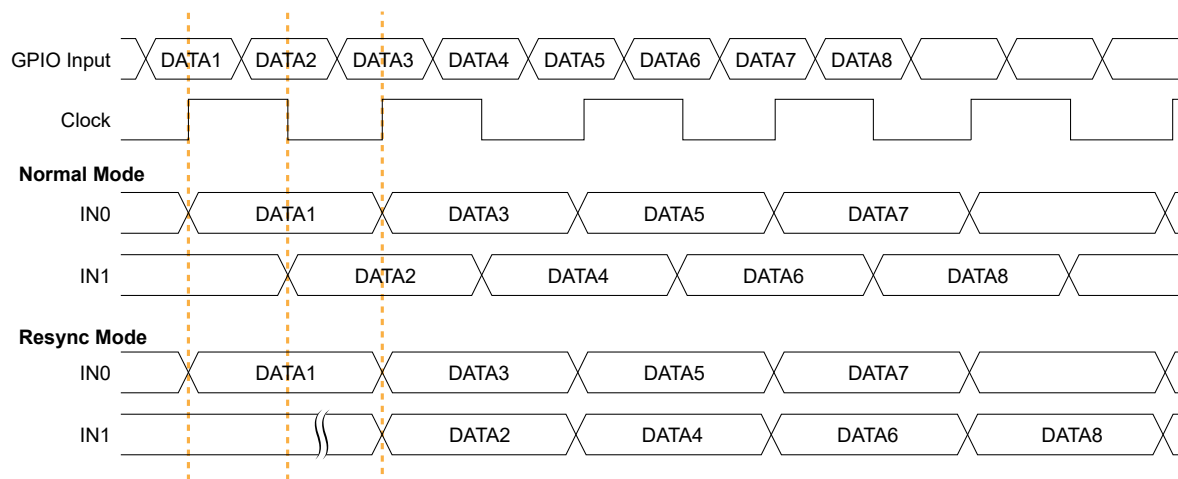
In normal mode, the interface receives or sends data directly to or from the core on the positive and negative clock edges. In resync mode, the interface resynchronizes the data to pass both signals on the positive clock edge only.

Not all GPIO support DDIO; additionally, LVDS as GPIO (that is, single ended I/O) do not support DDIO functionality.



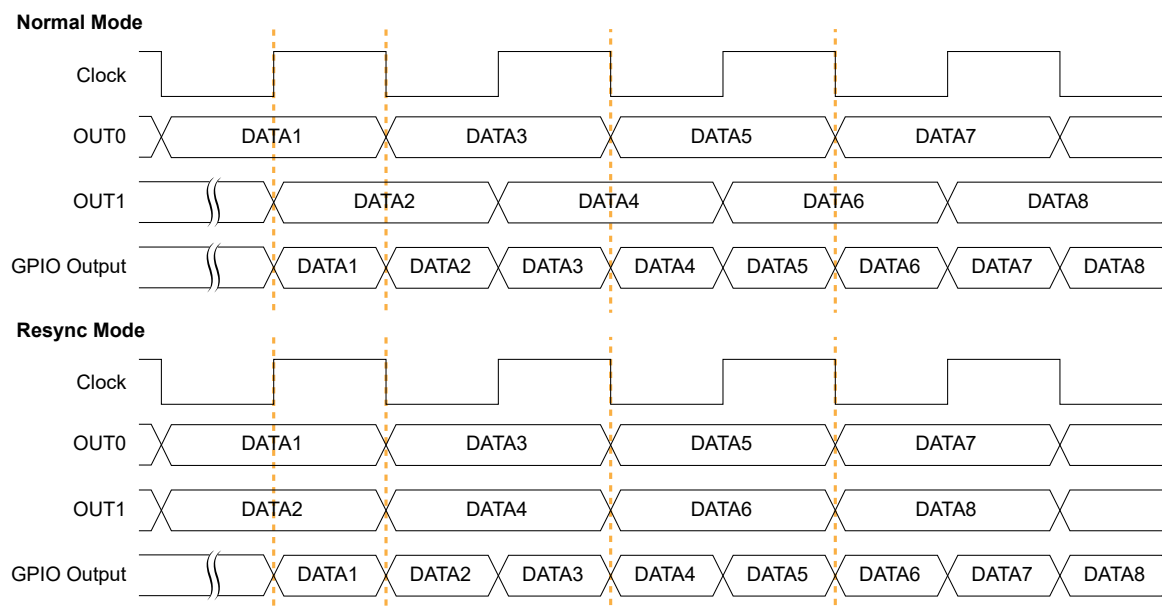
Note: The Resource Assigner in the Efinity® Interface Designer shows which GPIO support DDIO.

Figure 10: DDIO Input Timing Waveform



In resync mode, the IN1 data captured on the falling clock edge is delayed one half clock cycle.
In the Interface Designer, IN0 is the HI pin name and IN1 is the LO pin name.

Figure 11: DDIO Output Timing Waveform



In the Interface Designer, OUT0 is the HI pin name and OUT1 is the LO pin name.

Advanced PLL

T8 FPGAs in QFP144 packages have an advanced I/O logic and buffer.

You can use the PLL to compensate for clock skew/delay via external or internal feedback to meet timing requirements in advanced application. The PLL reference clock has up to four sources. You can dynamically select the PLL reference clock with the CLKSEL port. (Hold the PLL in reset when dynamically selecting the reference clock source.)

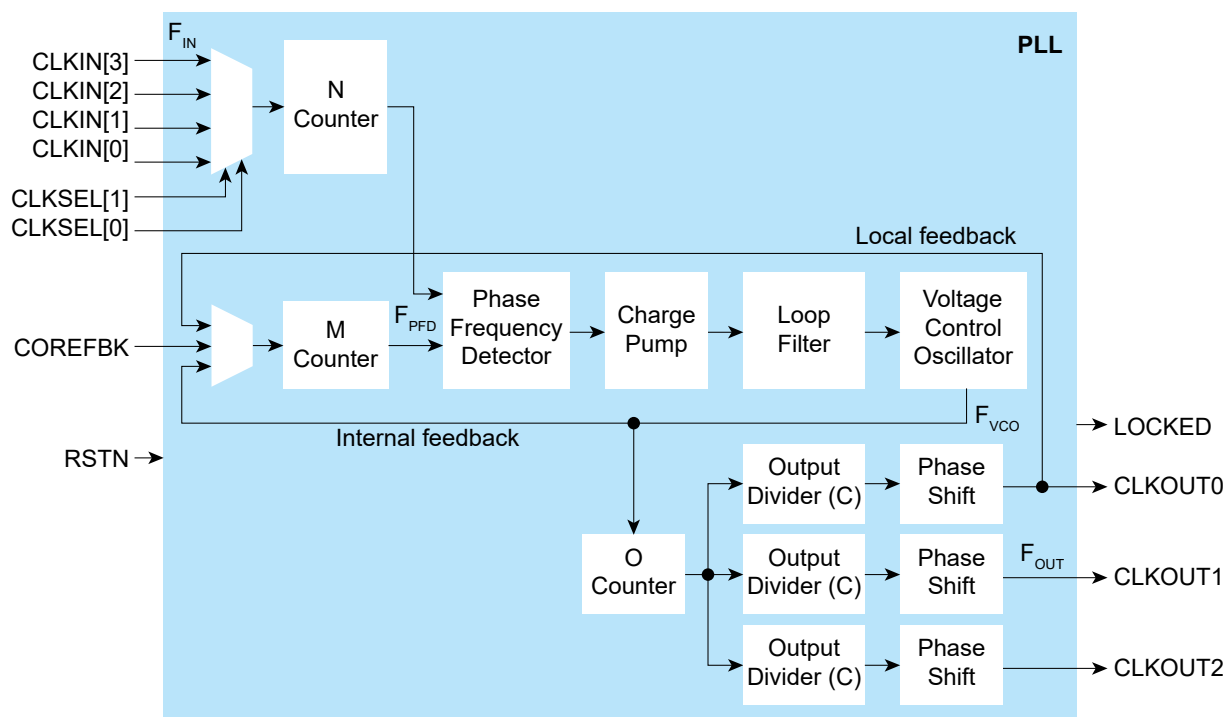
One of the PLLs can use an LVDS RX buffer to input its reference clock.

The PLL consists of a pre-divider counter (N counter), a feedback multiplier counter (M counter), a post-divider counter (O counter), and output divider.



Note: Refer to **T8 Interface Floorplan** on page 46 for the location of the PLLs on the die. Refer to **Table 68: General Pinouts** on page 43 for the PLL reference clock resource assignment.

Figure 12: PLL Block Diagram



The counter settings define the PLL output frequency:

| Internal Feedback Mode | Local and Core Feedback Mode | Where: |
|---|---|---|
| $F_{PFD} = F_{IN} / N$ $F_{VCO} = F_{PFD} \times M$ $F_{OUT} = (F_{IN} \times M) / (N \times O \times C)$ | $F_{PFD} = F_{IN} / N$ $F_{VCO} = (F_{PFD} \times M \times O \times C_{FBK})^{(7)}$ $F_{OUT} = (F_{IN} \times M \times C_{FBK}) / (N \times C)$ | F_{VCO} is the voltage control oscillator frequency F_{OUT} is the output clock frequency F_{IN} is the reference clock frequency F_{PFD} is the phase frequency detector input frequency C is the output divider |



Note: F_{IN} must be within the values stated in **PLL Timing and AC Characteristics (QFP144)** on page 42.

⁽⁷⁾ $(M \times O \times C_{FBK})$ must be ≤ 255 .

Figure 13: PLL Interface Block Diagram

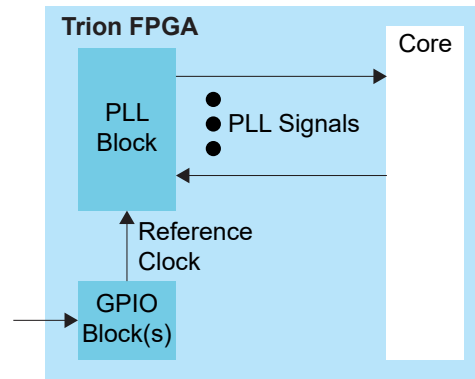


Table 17: PLL Signals (Interface to FPGA Fabric)

| Signal | Direction | Description |
|-------------------------------|-----------|---|
| CLKIN[3:0] | Input | Reference clocks driven by I/O pads or core clock tree. |
| CLKSEL[1:0] | Input | You can dynamically select the reference clock from one of the clock in pins. |
| RSTN | Input | Active-low PLL reset signal. When asserted, this signal resets the PLL; when de-asserted, it enables the PLL. Connect this signal in your design to power up or reset the PLL. Assert the RSTN pin for a minimum pulse of 10 ns to reset the PLL. Assert RSTN when dynamically changing the selected PLL reference clock. |
| COREFBK | Input | Connect to a clock out interface pin when the the PLL feedback mode is set to core. |
| CLKOUT0 CLKOUT1 CLKOUT2 | Output | PLL output. The designer can route these signals as input clocks to the core's GCLK network. |
| LOCKED | Output | Goes high when PLL achieves lock; goes low when a loss of lock is detected. Connect this signal in your design to monitor the lock status. |

Table 18: PLL Interface Designer Settings - Properties Tab

| Parameter | Choices | Notes |
|-----------------------------|--------------|---|
| Instance Name | User defined | |
| PLL Resource | | The resource listing depends on the FPGA you choose. |
| Clock Source | External | PLL reference clock comes from an external pin. |
| | Dynamic | PLL reference clock comes from an external pin or the core, and is controlled by the clock select bus. |
| | Core | PLL reference clock comes from the core. |
| Automated Clock Calculation | | Pressing this button launches the PLL Clock Caclulation window. The calculator helps you define PLL settings in an easy-to-use graphical interface. |

Table 19: PLL Interface Designer Settings - Manual Configuration Tab

| Parameter | Choices | Notes |
|---------------------------------|-----------------------------|---|
| Reset Pin Name | User defined | |
| Locked Pin Name | User defined | |
| Feedback Mode | Internal | PLL feedback is internal to the PLL resulting in no known phase relationship between clock in and clock out. |
| | Local | PLL feedback is local to the PLL. Aligns the clock out phase with clock in. |
| | Core | PLL feedback is from the core. The feedback clock is defined by the COREFBK connection, and must be one of the three PLL output clocks. Aligns the clock out phase with clock in and removes the core clock delay. |
| Reference clock Frequency (MHz) | User defined | |
| Multiplier (M) | 1 - 255 (integer) | M counter. |
| Pre Divider (N) | 1 - 15 (integer) | N counter. |
| Post Divider (O) | 1, 2, 4, 8 | O counter. |
| Clock 0, Clock 1, Clock 2 | On, off | Use these checkboxes to enable or disable clock 0, 1, and 2. |
| Pin Name | User defined | Specify the pin name for clock 0, 1, or 2. |
| Divider (C) | 1 to 256 | Output divider. |
| Phase Shift (Degree) | 0, 45, 90, 135, 180, or 270 | Phase shift CLKOUT by 0, 45, 90, 135, 180, or 270 degrees. 180, and 270 require the C divider to be 2. 45 and 135 require the C divider to be 4. 90 requires the C divider to be 2 or 4. To phase shift 225 degrees, select 45 and invert the clock at the destination. To phase shift 315 degrees, select 135 and invert the clock at the destination. |
| Use as Feedback | On, off | |

Table 20: PLL Reference Clock Resource Assignments (QFP144)

| PLL | REFCLK1 | REFCLK2 |
|---------|---|-----------------|
| PLL_BR0 | Differential: GPIOB_CLKP0, GPIOB_CLKN0 Single Ended: GPIOB_CLKP0 | GPIOR_157_PLLIN |
| PLL_TR0 | GPIOR_76_PLLIN0 | GPIOR_77_PLLIN1 |
| PLL_TR1 | GPIOR_76_PLLIN0 | GPIOR_77_PLLIN1 |
| PLL_TL0 | GPIOL_74_PLLIN0 | GPIOL_75_PLLIN1 |
| PLL_TL1 | GPIOL_74_PLLIN0 | GPIOL_75_PLLIN1 |

LVDS

T8 FPGAs in QFP144 packages have an LVDS interface.

The LVDS hard IP transmitters and receivers operate independently.

- LVDS TX consists of LVDS transmitter and serializer logic.
- LVDS RX consists of LVDS receiver, on-die termination, and de-serializer logic.

The T8 has one PLL for use with the LVDS receiver.



Note: You can use the LVDS TX and LVDS RX channels as 3.3 V single-ended GPIO pins, which support a weak pull-up but do not support a Schmitt trigger or variable drive strength. When using LVDS as GPIO, make sure to leave at least 2 pairs of unassigned LVDS pins between any GPIO and LVDS pins in the same bank. This separation reduces noise. The Efinity software issues an error if you do not leave this separation.

The LVDS hard IP has these features:

- Dedicated LVDS TX and RX channels (the number of channels is package dependent), and one dedicated LVDS RX clock
- Up to 600 Mbps for LVDS data transmit or receive
- Supports serialization and deserialization factors: 8:1, 7:1, 6:1, 5:1, 4:1, 3:1, and 2:1
- Ability to disable serialization and deserialization
- Source synchronous clock output edge-aligned with data for LVDS transmitter and receiver
- 100 Ω on-die termination resistor for the LVDS receiver

LVDS TX

Figure 14: LVDS TX Interface Block Diagram

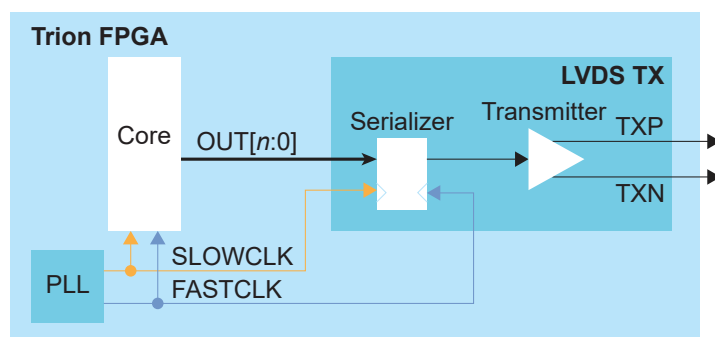


Table 21: LVDS TX Signals (Interface to FPGA Fabric)

| Signal | Direction | Notes |
|------------|-----------|---|
| OUT[n-1:0] | Input | Parallel output data where n is the serialization factor. A width of 1 bypasses the serializer. |
| FASTCLK | Input | Fast clock to serialize the data to the LVDS pads. |
| SLOWCLK | Input | Slow clock to latch the incoming data from the core. |

Table 22: LVDS TX Pads

| Pad | Direction | Description |
|-----|-----------|---------------------|
| TXP | Output | Differential P pad. |
| TXN | Output | Differential N pad. |

The following waveform shows the relationship between the fast clock, slow clock, TX data going to the pad, and byte-aligned data from the core.

Figure 15: LVDS Timing Example Serialization Width of 8

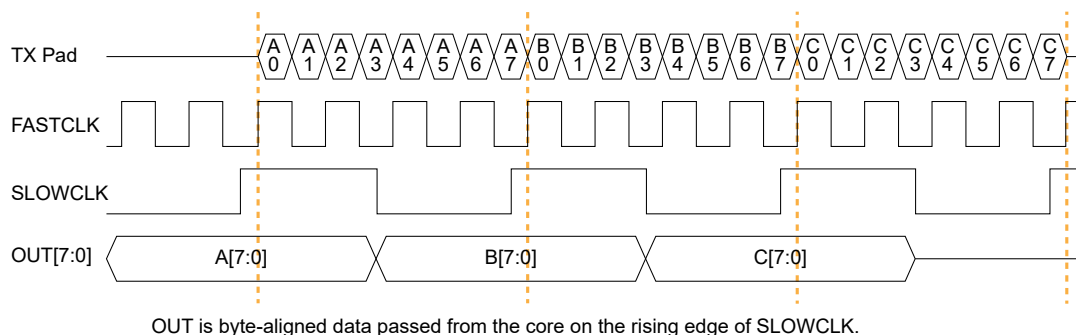


Figure 16: LVDS Timing Data and Clock Relationship Width of 8 (Parallel Clock Division=1)

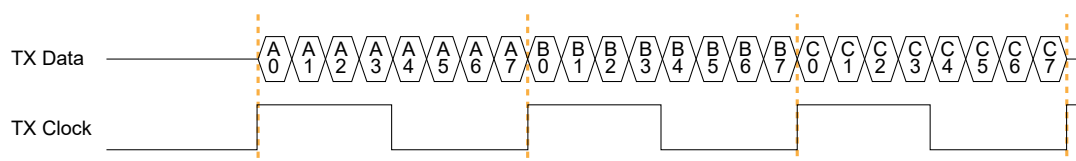


Figure 17: LVDS Timing Data and Clock Relationship Width of 7 (Parallel Clock Division=1)

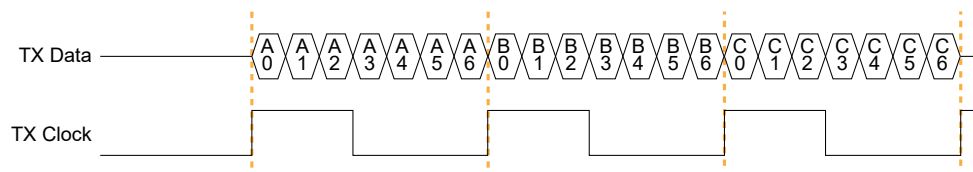
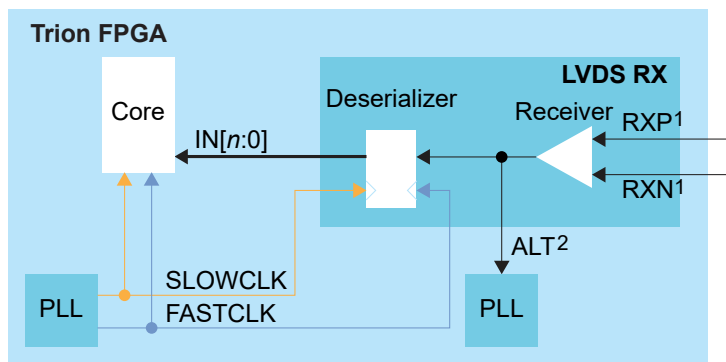


Table 23: LVDS TX Settings in Efinity® Interface Designer

| Parameters | Choices | Notes |
|-------------------------|--|--|
| Mode | serial data output or reference clock output | serial data output —Simple output buffer or serialized output. reference clock output —Use the transmitter as a clock output. When choosing this mode, the Serialization Width you choose should match the serialization for the rest of the LVDS bus. |
| Parallel Clock Division | 1, 2 | 1 —The output clock from the LVDS TX lane is parallel clock frequency. 2 —The output clock from the TX lane is half of the parallel clock frequency. |
| Enable Serialization | On or off | When off, the serializer is bypassed and the LVDS buffer is used as a normal output. |
| Serialization Width | 2, 3, 4, 5, 6, 7, or 8 | Supports 8:1, 7:1, 6:1, 5:1, 4:1, 3:1, and 2:1. |
| Reduce VOD Swing | On or off | When true, enables reduced output swing (similar to slow slew rate). |
| Output Load | 5, 7 (default), or 10 | Output load in pF. Use an output load of 7 pF or higher to achieve the maximum throughput of 600 Mbps. |

LVDS RX

Figure 18: LVDS RX Interface Block Diagram



1. There is a ~30k Ω internal weak pull-up to VCCIO (3.3V).
2. Only available for an LVDS RX resource in bypass mode (deserialization width is 1).

Table 24: LVDS RX Signals (Interface to FPGA Fabric)

| Signal | Direction | Notes |
|-----------|-----------|--|
| IN[n-1:0] | Output | Parallel input data where n is the de-serialization factor. A width of 1 bypasses the deserializer. |
| ALT | Output | Alternative input, only available for an LVDS RX resource in bypass mode (deserialization width is 1; alternate connection type). Alternative connections are PLL_CLKIN and PLL_EXTFB. |
| FASTCLK | Input | Fast clock to de-serialize the data from the LVDS pads. |
| SLOWCLK | Input | Slow clock to latch the incoming data to the core. |

Table 25: LVDS RX Pads

| Pad | Direction | Description |
|-----|-----------|---------------------|
| RXP | Input | Differential P pad. |
| RXN | Input | Differential N pad. |

The following waveform shows the relationship between the fast clock, slow clock, RX data coming in from the pad, and byte-aligned data to the core.

Figure 19: LVDS RX Timing Example Serialization Width of 8

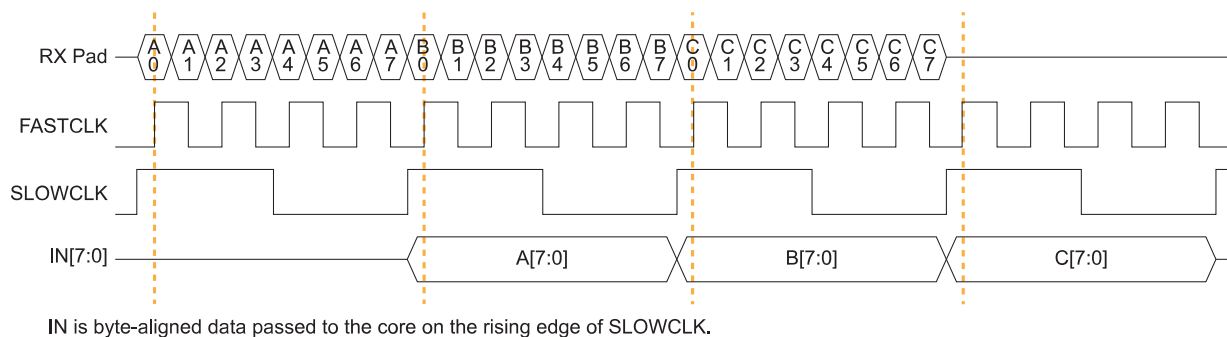


Table 26: LVDS RX Settings in Efinity® Interface Designer

| Parameter | Choices | Notes |
|---------------------------|------------------------------|---|
| Connection Type | normal, pll_clkln, pll_extfb | normal —Regular RX function. pll_clkln —Use the PLL CLKIN alternate function of the LVDS RX resource. pll_extfb —Use the PLL external feedback alternate function of the LVDS RX resource. |
| Enable Deserialization | On or off | When off, the de-serializer is bypassed and the LVDS buffer is used as a normal input. |
| Deserialization Width | 2, 3, 4, 5, 6, 7, or 8 | Supports 8:1, 7:1, 6:1, 5:1, 4:1, 3:1, and 2:1. |
| Enable On-Die Termination | On or off | When on, enables an on-die 100-ohm resistor. |

Power Up Sequence

Efnix® recommends the following power up sequence when powering Trion® FPGAs:

1. Power up VCC and VCCA_XX first.
2. When VCC and VCCA_XX are stable, power up all VCCIO pins. There is no specific timing delay between the VCCIO pins.
3. After all power supplies are stable, hold CRESET_N low for a duration of $t_{\text{CRESET_N}}$ before asserting CRESET_N from low to high to trigger active SPI programming (the FPGA loads the configuration data from an external flash device).

When you are not using the GPIO or PLL resources, connect the pins as shown in the following table.

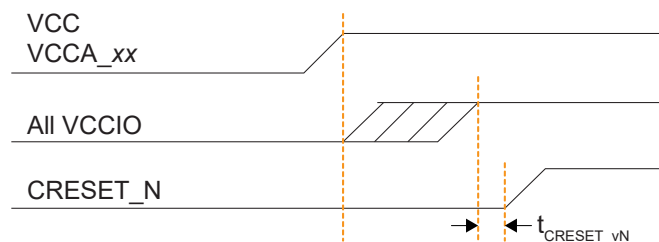
Table 27: Connection Requirements for Unused Resources

| Unused Resource | Pin | Note |
|-----------------|----------|---|
| GPIO Bank | VCCIOxx | Connect to either 1.8 V, 2.5 V, or 3.3 V. |
| PLL | VCCA_PLL | Connect to VCC. |



Note: Refer to **Configuration Timing** on page 37 for timing information.

Figure 20: Trion® FPGAs Power Up Sequence



Power Supply Current Transient

You may observe an inrush current on the dedicated power rail during power-up. You must ensure that the power supplies selected in your board meets the current requirement during power-up and the estimated current during user mode. Use the Power Estimator to calculate the estimated current during user mode.

Table 28: Maximum Power Supply Current Transient

| Power Supply | Device Package | Maximum Power Supply Current Transient ⁽⁸⁾⁽⁹⁾ | Unit |
|--------------|----------------|--|------|
| VCC | BGA49, BGA81 | 18 | mA |
| | QFP144 | 35 | mA |

⁽⁸⁾ Inrush current for other power rails are not significant in Trion® FPGAs.

⁽⁹⁾ Measured at room temperature.

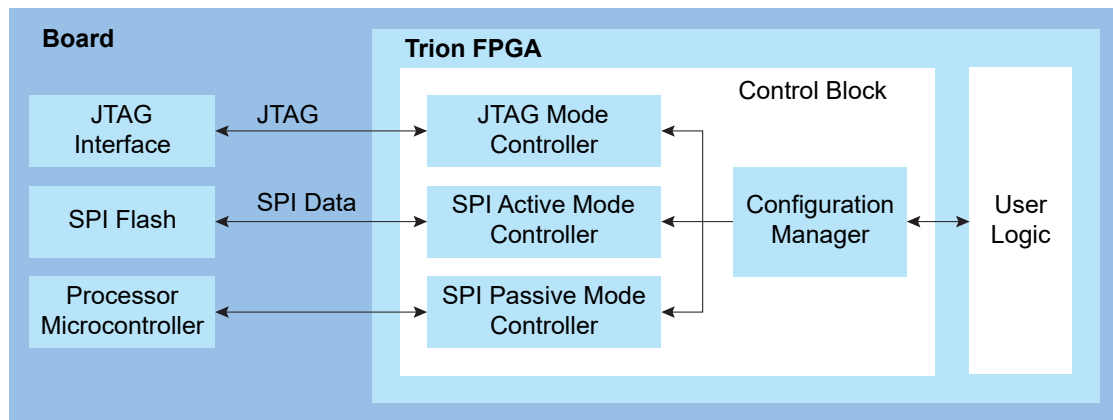
Configuration

The T8 FPGA contains volatile Configuration RAM (CRAM). The user must configure the CRAM for the desired logic function upon power-up and before the FPGA enters normal operation. The FPGA's control block manages the configuration process and uses a bitstream to program the CRAM. The Efinity[®] software generates the bitstream, which is design dependent. You can configure the T8 FPGA(s) in active, passive, or JTAG mode.



Learn more: Refer to [AN 006: Configuring Trion FPGAs](#) for details on the dedicated configuration pins and how to configure FPGA(s).

Figure 21: High-Level Configuration Options



In active mode, the FPGA controls the configuration process. An oscillator circuit within the FPGA provides the configuration clock. The bitstream is typically stored in an external serial flash device, which provides the bitstream when the FPGA requests it.

The control block sends out the instruction and address to read the configuration data. First, it issues a release from power-down instruction to wake up the external SPI flash. Then, it waits for at least 30 μ s before issuing a fast read command to read the content of SPI flash from address 24h'000000.

In passive mode, the FPGA is the slave and relies on an external master to provide the control, bitstream, and clock for configuration. Typically the master is a microcontroller or another FPGA in active mode.

In JTAG mode, you configure the FPGA via the JTAG interface.

Supported Configuration Modes

Table 29: T8 Configuration Modes by Package

| Configuration Mode | Width | BGA49 | BGA81 | QFP144 |
|--------------------|-------|-------|-------|--------|
| Active | X1 | ✓ | ✓ | ✓ |
| | X2 | ✓ | ✓ | ✓ |
| | X4 | ✓ | ✓ | ✓ |
| Passive | X1 | ✓ | ✓ | ✓ |
| | X2 | ✓ | ✓ | ✓ |
| | X4 | ✓ | ✓ | ✓ |
| | X8 | ✓ | ✓ | ✓ |
| JTAG | X1 | | ✓ | ✓ |

Mask-Programmable Memory Option

The T8 FPGA is equipped with one-time programmable MPM. With this feature, you use on-chip MPM instead of an external serial flash device to configure the FPGA. This option is for systems that require an ultra-small factor and the lowest cost structure such that an external serial flash device is undesirable and/or not required at volume production. MPM is a one-time factory programmable option that requires a Non-Recurring Engineering (NRE) payment. To enable MPM, submit your design to our factory; our Applications Engineers (AEs) convert your design into a single configuration mask to be specially fabricated.

DC and Switching Characteristics (BGA49 and BGA81)

Table 30: Absolute Maximum Ratings ⁽¹⁰⁾

Conditions beyond those listed may cause permanent damage to the device. Device operation at the absolute maximum ratings for extended periods of time has adverse effects on the device.

| Symbol | Description | Min | Max | Units |
|------------------|--|------|------|-------|
| VCC | Core power supply | -0.5 | 1.42 | V |
| VCCIO | I/O bank power supply | -0.5 | 4.6 | V |
| VCCA_PLL | PLL analog power supply | -0.5 | 1.42 | V |
| V _{IN} | I/O input voltage | -0.5 | 4.6 | V |
| I _{IN} | Maximum current through any pin in a powered or unpowered bank when forward biasing the clamp diode. ⁽¹¹⁾ | - | 10 | mA |
| T _J | Operating junction temperature | -40 | 125 | °C |
| T _{STG} | Storage temperature, ambient | -55 | 150 | °C |

Table 31: Recommended Operating Conditions ⁽¹⁰⁾

| Symbol | Description | Min | Typ | Max | Units |
|-------------------|--|------|-----|-------------|-------|
| VCC | Core power supply | 1.05 | 1.1 | 1.15 | V |
| VCCIO | 1.8 V I/O bank power supply | 1.71 | 1.8 | 1.89 | V |
| | 2.5 V I/O bank power supply | 2.38 | 2.5 | 2.63 | V |
| | 3.3 V I/O bank power supply | 3.14 | 3.3 | 3.47 | V |
| VCCA_PLL | PLL analog power supply | 1.05 | 1.1 | 1.15 | V |
| V _{IN} | I/O input voltage ⁽¹²⁾ | -0.3 | - | VCCIO + 0.3 | V |
| T _{JCOM} | Operating junction temperature, commercial | 0 | - | 85 | °C |
| T _{JIND} | Operating junction temperature, industrial | -40 | - | 100 | °C |

Table 32: Power Supply Ramp Rates

| Symbol | Description | Min | Max | Units |
|-------------------|--|------------|-----|-------|
| t _{RAMP} | Power supply ramp rate for all supplies. | 0.01/VCCIO | 10 | V/ms |

⁽¹⁰⁾ Supply voltage specification applied to the voltage taken at the device pins with respect to ground, not at the power supply.

⁽¹¹⁾ Should not exceed a total of 120 mA per bank.

⁽¹²⁾ Values applicable to both input and tri-stated output configuration.

Table 33: Single-Ended I/O DC Electrical Characteristics

| I/O Standard | V _{IL} (V) | | V _{IH} (V) | | V _{OL} (V) | V _{OH} (V) |
|--------------|---------------------|--------------|---------------------|-------------|---------------------|---------------------|
| | Min | Max | Min | Max | Max | Min |
| 3.3 V LVCMOS | -0.3 | 0.8 | 2 | VCCIO + 0.3 | 0.2 | VCCIO - 0.2 |
| 3.3 V LVTTTL | -0.3 | 0.8 | 2 | VCCIO + 0.3 | 0.4 | 2.4 |
| 2.5 V LVCMOS | -0.3 | 0.7 | 1.7 | VCCIO + 0.3 | 0.5 | 1.8 |
| 1.8 V LVCMOS | -0.3 | 0.35 * VCCIO | 0.65 * VCCIO | VCCIO + 0.3 | 0.45 | VCCIO - 0.45 |

Table 34: Single-Ended I/O and Dedicated Configuration Pins Schmitt Trigger Buffer Characteristic

| Voltage | VT+ (V) Schmitt Trigger Low-to-High Threshold | VT- (V) Schmitt Trigger High-to-Low Threshold | Input Leakage Current (μA) | Tristate Output Leakage Current (μA) |
|---------|---|---|----------------------------|--------------------------------------|
| 3.3 | 1.73 | 1.32 | ±10 | ±10 |
| 2.5 | 1.37 | 1.01 | ±10 | ±10 |
| 1.8 | 1.05 | 0.71 | ±10 | ±10 |

Table 35: Single-Ended I/O Buffer Drive Strength Characteristics

Junction temperature at T_J = 25 °C, power supply at nominal voltage, device in nominal process (TT).

CDONE and CRESET_N have a drive strength of 1.

| I/O Standard | 3.3 V | | 2.5 V | | 1.8 V | |
|--------------|----------------------|----------------------|----------------------|----------------------|----------------------|----------------------|
| | I _{OH} (mA) | I _{OL} (mA) | I _{OH} (mA) | I _{OL} (mA) | I _{OH} (mA) | I _{OL} (mA) |
| 1 | 14.4 | 8.0 | 9.1 | 8.0 | 4.4 | 5.1 |
| 2 | 19.1 | 10.5 | 12.2 | 10.5 | 5.8 | 6.8 |
| 3 | 23.9 | 13.3 | 15.2 | 13.4 | 7.3 | 8.6 |
| 4 | 28.7 | 15.8 | 18.2 | 15.9 | 8.6 | 10.3 |

Table 36: Single-Ended I/O Internal Weak Pull-Up and Pull-Down Resistance

CDONE and CRESET_N also have an internal weak pull-up with these values.

| I/O Standard | Internal Pull-Up | | | Internal Pull-Down | | | Units |
|---------------------|------------------|-----|-----|--------------------|-----|-----|-------|
| | Min | Typ | Max | Min | Typ | Max | |
| 3.3 V LVTTTL/LVCMOS | 27 | 40 | 65 | 30 | 47 | 83 | kΩ |
| 2.5 V LVCMOS | 35 | 55 | 95 | 37 | 62 | 118 | kΩ |
| 1.8 V LVCMOS | 53 | 90 | 167 | 54 | 99 | 202 | kΩ |

Table 37: Single-Ended I/O Rise and Fall Time

Data are based on the following IBIS simulation setup:

- Weakest drive strength model
- Typical simulation corner setting
- RLC circuit with 6.6 pF capacitance, 16.6 nH inductance, 0.095 ohm resistance, and 25 °C temperature



Note: For a more accurate data, you need to perform the simulation with your own circuit.

| I/O Standard | Rise Time (T_R) | | Fall Time (T_F) | | Units |
|---------------------|------------------------|-------------------------|------------------------|-------------------------|-------|
| | Slow Slew Rate Enabled | Slow Slew Rate Disabled | Slow Slew Rate Enabled | Slow Slew Rate Disabled | |
| 3.3 V LVTTTL/LVCMOS | 1.13 | 1.02 | 1.24 | 1.17 | ns |
| 2.5 V LVCMOS | 1.4 | 1.3 | 1.44 | 1.31 | ns |
| 1.8 V LVCMOS | 2.14 | 2.01 | 2.05 | 1.85 | ns |

Table 38: Maximum Toggle Rate

| I/O Standard | Test Condition Load (pF) | Max Toggle Rate (Mbps) |
|---------------------|--------------------------|------------------------|
| 3.3 V LVTTTL/LVCMOS | 10 | 400 |
| 2.5 V LVCMOS | 10 | 400 |
| 1.8 V LVCMOS | 10 | 400 |

Table 39: Block RAM Characteristics

| Symbol | Description | C2, I2 Speed Grade | Units |
|-----------|------------------------------|--------------------|-------|
| f_{MAX} | Block RAM maximum frequency. | 275 | MHz |

Table 40: Multiplier Block Characteristics

| Symbol | Description | C2, I2 Speed Grade | Units |
|-----------|-------------------------------------|--------------------|-------|
| f_{MAX} | Multiplier block maximum frequency. | 275 | MHz |

DC and Switching Characteristics (QFP144)

T8 FPGAs in QFP144 packages have the following DC and switching characteristics.

Table 41: Absolute Maximum Ratings

Conditions beyond those listed may cause permanent damage to the device. Device operation at the absolute maximum ratings for extended periods of time has adverse effects on the device.

| Symbol | Description | Min | Max | Units |
|------------------|--|------|------|-------|
| VCC | Core power supply | -0.5 | 1.42 | V |
| VCCIO | I/O bank power supply | -0.5 | 4.6 | V |
| VCCA_PLL | PLL analog power supply | -0.5 | 1.42 | V |
| V _{IN} | I/O input voltage | -0.5 | 4.6 | V |
| I _{IN} | Maximum current through any pin in a powered or unpowered bank when forward biasing the clamp diode. ⁽¹⁴⁾ | - | 10 | mA |
| T _J | Operating junction temperature | -40 | 125 | °C |
| T _{STG} | Storage temperature, ambient | -55 | 150 | °C |

Table 42: Recommended Operating Conditions (C3, C4, and I4 Speed Grades)⁽¹³⁾

| Symbol | Description | Min | Typ | Max | Units |
|-------------------|--|------|-----|-------------|-------|
| VCC | Core power supply | 1.15 | 1.2 | 1.25 | V |
| VCCIO | 1.8 V I/O bank power supply | 1.71 | 1.8 | 1.89 | V |
| | 2.5 V I/O bank power supply | 2.38 | 2.5 | 2.63 | V |
| | 3.3 V I/O bank power supply | 3.14 | 3.3 | 3.47 | V |
| VCCA_PLL | PLL analog power supply | 1.15 | 1.2 | 1.25 | V |
| V _{IN} | I/O input voltage ⁽¹⁵⁾ | -0.3 | - | VCCIO + 0.3 | V |
| T _{JCOM} | Operating junction temperature, commercial | 0 | - | 85 | °C |
| T _{JIND} | Operating junction temperature, industrial | -40 | - | 100 | °C |

⁽¹³⁾ Supply voltage specification applied to the voltage taken at the device pins with respect to ground, not at the power supply.

⁽¹⁴⁾ Should not exceed a total of 120 mA per bank.

⁽¹⁵⁾ Values applicable to both input and tri-stated output configuration.

Table 43: Recommended Operating Conditions (C4L and I4L Speed Grades)⁽¹³⁾

| Symbol | Description | Min | Typ | Max | Units |
|-------------------|--|------|-----|-------------|-------|
| VCC | Core power supply | 1.05 | 1.1 | 1.15 | V |
| VCCIO | 1.8 V I/O bank power supply | 1.71 | 1.8 | 1.89 | V |
| | 2.5 V I/O bank power supply | 2.38 | 2.5 | 2.63 | V |
| | 3.3 V I/O bank power supply | 3.14 | 3.3 | 3.47 | V |
| VCCA_PLL | PLL analog power supply | 1.05 | 1.1 | 1.15 | V |
| V _{IN} | I/O input voltage ⁽¹⁶⁾ | -0.3 | - | VCCIO + 0.3 | V |
| T _{JCOM} | Operating junction temperature, commercial | 0 | - | 85 | °C |
| T _{JIND} | Operating junction temperature, industrial | -40 | - | 100 | °C |

Table 44: Power Supply Ramp Rates

| Symbol | Description | Min | Max | Units |
|-------------------|--|------------|-----|-------|
| t _{RAMP} | Power supply ramp rate for all supplies. | 0.01/VCCIO | 10 | V/ms |

Table 45: Single-Ended I/O DC Electrical Characteristics

| I/O Standard | V _{IL} (V) | | V _{IH} (V) | | V _{OL} (V) | V _{OH} (V) |
|--------------|---------------------|--------------|---------------------|-------------|---------------------|---------------------|
| | Min | Max | Min | Max | Max | Min |
| 3.3 V LVCMOS | -0.3 | 0.8 | 2 | VCCIO + 0.3 | 0.2 | VCCIO - 0.2 |
| 3.3 V LVTTTL | -0.3 | 0.8 | 2 | VCCIO + 0.3 | 0.4 | 2.4 |
| 2.5 V LVCMOS | -0.3 | 0.7 | 1.7 | VCCIO + 0.3 | 0.5 | 1.8 |
| 1.8 V LVCMOS | -0.3 | 0.35 * VCCIO | 0.65 * VCCIO | VCCIO + 0.3 | 0.45 | VCCIO - 0.45 |

Table 46: Single-Ended I/O and Dedicated Configuration Pins Schmitt Trigger Buffer Characteristic

| Voltage (V) | V _{T+} (V) Schmitt Trigger Low-to-High Threshold | V _{T-} (V) Schmitt Trigger High-to-Low Threshold | Input Leakage Current (μA) | Tri-State Output Leakage Current (μA) |
|-------------|---|---|----------------------------|---------------------------------------|
| 3.3 | 1.73 | 1.32 | ±10 | ±10 |
| 2.5 | 1.37 | 1.01 | ±10 | ±10 |
| 1.8 | 1.05 | 0.71 | ±10 | ±10 |

⁽¹⁶⁾ Values applicable to both input and tri-stated output configuration.

Table 47: Single-Ended I/O Buffer Drive Strength Characteristics

Junction temperature at $T_J = 25\text{ }^\circ\text{C}$, power supply at nominal voltage.

CDONE and CRESET_N have a drive strength of 1.

| I/O Standard | 3.3 V | | 2.5 V | | 1.8 V | |
|----------------|----------------------|----------------------|----------------------|----------------------|----------------------|----------------------|
| Drive Strength | I _{OH} (mA) | I _{OL} (mA) | I _{OH} (mA) | I _{OL} (mA) | I _{OH} (mA) | I _{OL} (mA) |
| 1 | 14.4 | 8.0 | 9.1 | 8.0 | 4.4 | 5.1 |
| 2 | 19.1 | 10.5 | 12.2 | 10.5 | 5.8 | 6.8 |
| 3 | 23.9 | 13.3 | 15.2 | 13.4 | 7.3 | 8.6 |
| 4 | 28.7 | 15.8 | 18.2 | 15.9 | 8.6 | 10.3 |

Table 48: Single-Ended I/O Internal Weak Pull-Up and Pull-Down Resistance

CDONE and CRESET_N also have an internal weak pull-up with these values.

| I/O Standard | Internal Pull-Up | | | Internal Pull-Down | | | Units |
|---------------------|------------------|-----|-----|--------------------|-----|-----|------------|
| | Min | Typ | Max | Min | Typ | Max | |
| 3.3 V LVTTTL/LVCMOS | 27 | 40 | 65 | 30 | 47 | 83 | k Ω |
| 2.5 V LVCMOS | 35 | 55 | 95 | 37 | 62 | 118 | k Ω |
| 1.8 V LVCMOS | 53 | 90 | 167 | 54 | 99 | 202 | k Ω |

Table 49: LVDS Pins Configured as Single-Ended I/O DC Electrical Characteristics

| I/O Standard | V _{IL} (V) | | V _{IH} (V) | | V _{OL} (V) | V _{OH} (V) |
|--------------|---------------------|-----|---------------------|-------------|---------------------|---------------------|
| | Min | Max | Min | Max | Max | Min |
| 3.3 V LVCMOS | -0.3 | 0.8 | 2 | VCCIO + 0.3 | 0.2 | VCCIO - 0.2 |
| 3.3 V LVTTTL | -0.3 | 0.8 | 2 | VCCIO + 0.3 | 0.4 | 2.4 |

Table 50: LVDS Pins Configured as Single-Ended I/O DC Electrical Characteristics

| Voltage (V) | Input Leakage Current (μA) | Tri-State Output Leakage Current (μA) |
|-------------|---|--|
| 3.3 | ± 10 | ± 10 |

Table 51: LVDS Pins Configured as Single-Ended I/O Internal Weak Pull-Up Resistance

| I/O Standard | Internal Pull-Up | | | Units |
|---------------------|------------------|-----|-----|------------|
| | Min | Typ | Max | |
| 3.3 V LVTTTL/LVCMOS | 27 | 40 | 65 | k Ω |

Table 52: Maximum Toggle Rate

| I/O Standard | Test Condition Load (pF) | Max Toggle Rate (Mbps) |
|---------------------|--------------------------|------------------------|
| 3.3 V LVTTTL/LVCMOS | 10 | 400 |
| 2.5 V LVCMOS | 10 | 400 |
| 1.8 V LVCMOS | 10 | 400 |
| LVDS | 10 | 800 |

Table 53: Single-Ended I/O and LVDS Pins Configured as Single-Ended I/O Rise and Fall Time

Data are based on the following IBIS simulation setup:

- Weakest drive strength model
- Typical simulation corner setting
- RLC circuit with 6.6 pF capacitance, 16.6 nH inductance, 0.095 ohm resistance, and 25 °C temperature



Note: For a more accurate data, you need to perform the simulation with your own circuit.

| I/O Standard | Rise Time (T_R) | | Fall Time (T_F) | | Units |
|---|------------------------|-------------------------|------------------------|-------------------------|-------|
| | Slow Slew Rate Enabled | Slow Slew Rate Disabled | Slow Slew Rate Enabled | Slow Slew Rate Disabled | |
| 3.3 V LVTTTL/LVCMOS | 1.13 | 1.02 | 1.24 | 1.17 | ns |
| 2.5 V LVCMOS | 1.4 | 1.3 | 1.44 | 1.31 | ns |
| 1.8 V LVCMOS | 2.14 | 2.01 | 2.05 | 1.85 | ns |
| LVDS pins configured as 3.3 V LVTTTL/LVCMOS | 0.45 | | 0.44 | | ns |

Table 54: Block RAM Characteristics

| Symbol | Description | Speed Grade | | Units |
|-----------|------------------------------|--------------|--------|-------|
| | | C3, C4L, I4L | C4, I4 | |
| f_{MAX} | Block RAM maximum frequency. | 310 | 400 | MHz |

Table 55: Multiplier Block Characteristics

| Symbol | Description | Speed Grade | | Units |
|-----------|-------------------------------------|--------------|--------|-------|
| | | C3, C4L, I4L | C4, I4 | |
| f_{MAX} | Multiplier block maximum frequency. | 310 | 400 | MHz |

LVDS I/O Electrical and Timing Specifications (QFP144)

The LVDS pins comply with the EIA/TIA-644 electrical specifications.

Table 56: LVDS I/O Electrical Specifications

| Parameter | Description | Test Conditions/ Options | Min | Typ | Max | Unit |
|--------------------|------------------------------|----------------------------------|-------|-------|-------|------|
| V _{CCIO} | LVDS I/O Supply Voltage | - | 2.97 | 3.3 | 3.63 | V |
| LVDS TX | | | | | | |
| V _{OD} | Output Differential Voltage | Reduce VOD Swing option disabled | 250 | 350 | 450 | mV |
| | | Reduce VOD Swing option enabled | 150 | 200 | 250 | mV |
| Δ V _{OD} | Change in V _{OD} | - | - | - | 50 | mV |
| V _{OCM} | Output Common Mode Voltage | RT = 100 Ω | 1,125 | 1,250 | 1,375 | mV |
| Δ V _{OCM} | Change in V _{OCM} | - | - | - | 50 | mV |
| V _{OH} | Output High Voltage | RT = 100 Ω | - | - | 1475 | mV |
| V _{OL} | Output Low Voltage | RT = 100 Ω | 925 | - | - | mV |
| I _{SAB} | Output Short Circuit Current | - | - | - | 24 | mA |
| LVDS RX | | | | | | |
| V _{ID} | Input Differential Voltage | - | 100 | - | 600 | mV |
| V _{ICM} | Input Common Mode Voltage | - | 100 | - | 2,000 | mV |
| V _{TH} | Differential Input Threshold | - | -100 | - | 100 | mV |
| I _{IL} | Input Leakage Current | - | - | - | 20 | μA |

Figure 22: LVDS RX I/O Electrical Specification Waveform

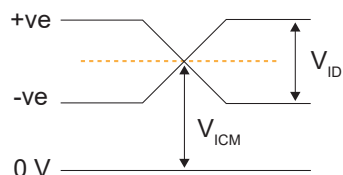


Table 57: LVDS Timing Specifications

| Parameter | Description | Min | Typ | Max | Unit |
|------------------------|---|-----|-----|-----|------|
| t _{LVDS_DT} | LVDS TX reference clock output duty cycle | 45 | 50 | 55 | % |
| t _{LVDS_skew} | LVDS TX lane-to-lane skew | - | 200 | - | ps |

ESD Performance

Refer to the [Trion Reliability Report](#) for ESD performance data.

Configuration Timing

The T8 FPGA has the following configuration timing specifications. Refer to [AN 006: Configuring Trion FPGAs](#) for detailed configuration information.

Timing Waveforms

Figure 23: SPI Active Mode (x1) Timing Sequence

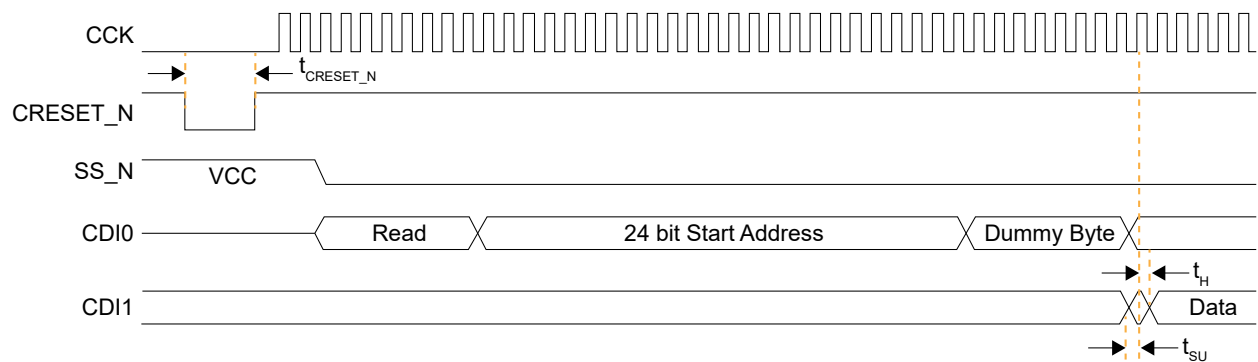


Figure 24: SPI Passive Mode (x1) Timing Sequence

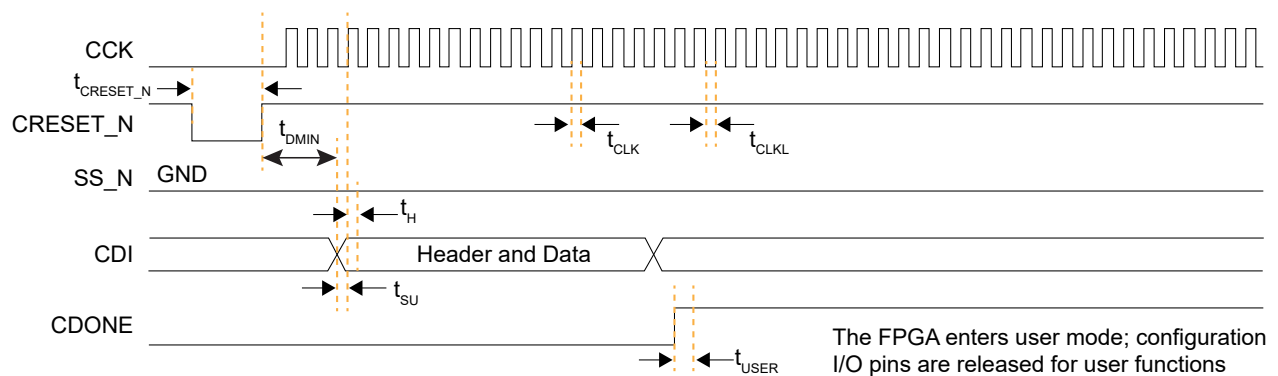


Figure 25: Boundary-Scan Timing Waveform

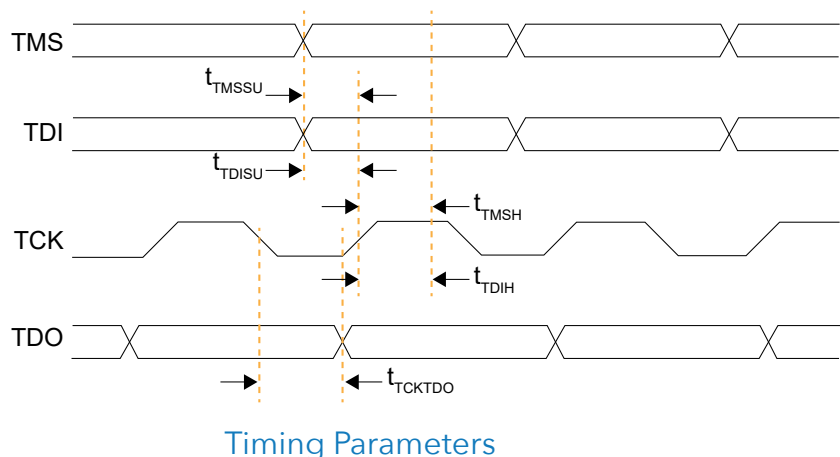


Table 58: All Modes

| Symbol | Parameter | Min | Typ | Max | Units |
|------------------------|--|-----|-----|------|---------|
| $t_{\text{CRESET_N}}$ | Minimum creset_n low pulse width required to trigger re-configuration. | 320 | - | - | ns |
| t_{USER} | Minimum configuration duration after CDONE goes high before entering user mode. ⁽¹⁷⁾⁽¹⁸⁾ Test condition at 10 k Ω pull-up resistance and 10 pF output loading on CDONE pin. | 12 | - | (19) | μ s |

Table 59: Active Mode

| Symbol | Parameter | Frequency | Min | Typ | Max | Units |
|---------------------|---|-----------|-----|-----|-----|-------|
| $f_{\text{MAX_M}}$ | Active mode configuration clock frequency ⁽²⁰⁾ . | DIV4 | 14 | 20 | 26 | MHz |
| | | DIV8 | 7 | 10 | 13 | MHz |
| t_{SU} | Setup time. Test condition at 3.3 V I/O standard and 0 pF output loading. | - | 7.5 | - | - | ns |
| t_{H} | Hold time. Test condition at 3.3 V I/O standard and 0 pF output loading. | - | 1 | - | - | ns |

⁽¹⁷⁾ The FPGA may go into user mode before t_{USER} has elapsed. However, Efinix recommends that you keep the system interface to the FPGA in reset until t_{USER} has elapsed.

⁽¹⁸⁾ For JTAG programming, the min t_{USER} configuration time is required after CDONE goes high and FPGA receives the ENTERUSER instruction from JTAG host (TAP controller in UPDATE_IR state).

⁽¹⁹⁾ See **Maximum t_{USER} for SPI Active and Passive Modes** on page 40

⁽²⁰⁾ For parallel daisy chain x2 and x4, the active configuration clock frequency, $f_{\text{MAX_M}}$, is required to set to DIV4.

Table 60: Passive Mode

| Symbol | Parameter | Min | Typ | Max | Units |
|--------------------|---|-------------------------------|-----|-----|-------|
| f _{MAX_S} | Passive mode X1 configuration clock frequency. | - | - | 25 | MHz |
| | Passive mode X2, X4 or X8 configuration clock frequency. | - | - | 50 | MHz |
| t _{CLKH} | Configuration clock pulse width high. | 0.48*1/ f _{MAX_S} | - | - | ns |
| t _{CLKL} | Configuration clock pulse width low. | 0.48*1/ f _{MAX_S} | - | - | ns |
| t _{SU} | Setup time. (BGA49 and BGA81) | 4 | - | - | ns |
| t _{SU} | Setup time. (QFP144 packages) | 6 | - | - | ns |
| t _H | Hold time. | 1 | - | - | ns |
| t _{DMIN} | Minimum time between deassertion of CRESET_N to first valid configuration data. | 1.2 | - | - | μs |

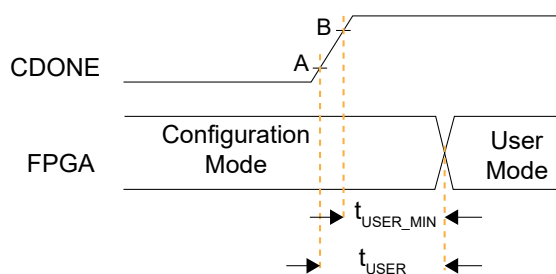
Table 61: JTAG Mode

| Symbol | Parameter | Min | Typ | Max | Units |
|---------------------|---------------------------------|-----|-----|----------------------|-------|
| f _{TCK} | TCK frequency. | - | - | 25 | MHz |
| t _{DISU} | TDI setup time. | 3.5 | - | - | ns |
| t _{DIH} | TDI hold time. | 1 | - | - | ns |
| t _{MSSU} | TMS setup time. | 3 | - | - | ns |
| t _{MSH} | TMS hold time. | 1 | - | - | ns |
| t _{TCKTDO} | TCK falling edge to TDO output. | - | - | 10.5 ⁽²¹⁾ | ns |

⁽²¹⁾ 0 pf output loading.

Maximum t_{USER} for SPI Active and Passive Modes

The following waveform illustrates the minimum and maximum values for t_{USER} .



- *Point A*—User-defined trigger point to start counter on t_{USER}
- *Point B*— V_{IH} (with Schmitt Trigger) of Trion I/Os

The maximum t_{USER} value can be derived based on the following formula:

Table 62: t_{USER} Maximum

| Configuration Setup | t_{USER} Maximum |
|--|---|
| Single Trion FPGA | $t_{USER} = t_{(from\ A\ to\ B)} + t_{USER_MIN}$ |
| Slave FPGA in a dual-Trion FPGA SPI chain | |
| Master FPGA in a dual-Trion FPGA SPI chain | $t_{USER} = (1344 / SPI_WIDTH) * CCK\ period + t_{USER_MIN} + t_{(from\ A\ to\ B)}$ |

PLL Timing and AC Characteristics (BGA49 and BGA81)

The following tables describe the PLL timing and AC characteristics for the simple PLL in BGA49 and BGA81 packages.

Table 63: PLL Timing

| Symbol | Parameter | Min | Typ | Max | Units |
|------------------|---|------|-----|------|-------|
| F_{PFD} | Phase frequency detector input frequency. | 10 | - | 50 | MHz |
| F_{OUT} | Output clock frequency. | 0.25 | - | 400 | MHz |
| F_{VCO} | PLL VCO frequency. | 500 | - | 1500 | MHz |

Table 64: PLL AC Characteristics

| Symbol | Parameter | Min | Typ | Max | Units |
|--|--------------------------------------|-----|-----|-----|-------|
| t_{DT} | Output clock duty cycle. | 40 | 50 | 60 | % |
| $t_{\text{OPJIT}} (\text{PK} - \text{PK})$ | Output clock period jitter (PK-PK). | - | 100 | - | ps |
| t_{INDT} | Input clock duty cycle. | 45 | - | 55 | % |
| $t_{\text{LJIT}} (\text{PK} - \text{PK})$ | Input clock long-term jitter (PK-PK) | - | - | 800 | ps |
| t_{LOCK} | PLL pull in plus lock-in time. | - | - | 0.5 | ms |

PLL Timing and AC Characteristics (QFP144)

The following tables describe the PLL timing and AC characteristics for the advanced PLL in QFP144 packages.

Table 65: PLL Timing

| Symbol | Parameter | Min | Typ | Max | Units |
|-----------------|---|------|-----|-------|-------|
| $F_{IN}^{(22)}$ | Input clock frequency from core. | 10 | - | 330 | MHz |
| | Input clock frequency from GPIO. | 10 | - | 200 | MHz |
| | Input clock frequency from LVDS. | 10 | - | 400 | MHz |
| F_{OUT} | Output clock frequency. | 0.24 | - | 500 | MHz |
| F_{VCO} | PLL VCO frequency. | 500 | - | 1,600 | MHz |
| F_{PFD} | Phase frequency detector input frequency. | 10 | - | 50 | MHz |

Table 66: PLL AC Characteristics⁽²³⁾

| Symbol | Parameter | Min | Typ | Max | Units |
|------------------------------|--------------------------------------|-----|-----|-----|-------|
| t_{DT} | Output clock duty cycle. | 40 | 50 | 60 | % |
| $t_{OPJIT} (PK - PK)^{(24)}$ | Output clock period jitter (PK-PK). | - | - | 200 | ps |
| t_{INDT} | Input clock duty cycle. | 45 | - | 55 | % |
| $t_{LJIT} (PK - PK)$ | Input clock long-term jitter (PK-PK) | - | - | 800 | ps |
| t_{LOCK} | PLL lock-in time. | - | - | 0.5 | ms |

Internal Oscillator (BGA49 and BGA81)

The internal oscillator has the following specifications.

Table 67: Internal Oscillator Specifications

| Symbol | Parameter | Min | Typ | Max | Units |
|--------------|-----------------------------|-----|-----|-----|-------|
| F_{CLKOSC} | Oscillator clock frequency. | - | 10 | - | kHz |
| D_{CHOSC} | Duty cycle. | 45 | 50 | 55 | % |

⁽²²⁾ When using the Dynamic clock source mode, the maximum input clock frequency is limited by the slowest clock frequency of the assigned clock source. For example, the maximum input clock frequency of a Dynamic clock source mode from core and GPIO is 200 MHz.

⁽²³⁾ Test conditions at 3.3 V and room temperature.

⁽²⁴⁾ The output jitter specification applies to the PLL jitter when an input jitter of 20 ps is applied.

Pinout Description

The following tables describe the pinouts for power, ground, configuration, and interfaces.

Table 68: General Pinouts

| Function | Group | Direction | Description |
|--|------------------------|-----------|--|
| VCC | Power | - | Core power supply. |
| VCCIO | Power | - | I/O pin power supply. |
| VCCA_PLL | Power | - | PLL analog power supply. |
| VCCA_xx | Power | - | PLL analog power supply. xx indicates location: TL: Top left, TR: Top right, BR: bottom right |
| VCCIOxx | Power | - | I/O pin power supply. xx indicates the bank location: 1A: Bank 1A, 3E: Bank 3E 4A: Bank 4A (only for 3.3 V) , 4B: Bank 4B (only for 3.3 V) |
| VCCIOxx_yy_zz | Power | - | Power for I/O banks that are shorted together. xx, yy, and zz are the bank locations. For example: VCCIO1B_1C shorts banks 1B and 1C VCCIO3C_TR_BR shorts banks 3C, TR, and BR |
| GND | Ground | - | Ground. |
| GND_A_PLL | Ground | - | PLL ground pin. |
| CLK _n | Alternate | Input | Global clock network input. n is the number. The number of inputs is package dependent. |
| CTRL _n | Alternate | Input | Global network input used for high fanout and global reset. n is the number. The number of inputs is package dependent. |
| PLLIN | Alternate | Input | PLL reference clock resource. There are 5 PLL reference clock resource assignments (depending on the package). Assign the reference clock resource based on the PLL you are using. |
| MREFCLK | Alternate | Input | MIPI PLL reference clock source. |
| GPIO _{x_n} | GPIO | I/O | General-purpose I/O for user function. User I/O pins are single-ended. x: Indicates the bank (L or R) n: Indicates the GPIO number. |
| GPIO _{x_n_yyy} GPIO _{x_n_yyy_zzz} GPIO _{x_zzzn} | GPIO Multi-Function | I/O | Multi-function, general-purpose I/O. These pins are single ended. If these pins are not used for their alternate function, you can use them as user I/O pins. x: Indicates the bank; left (L), right (R), or bottom (B). n: Indicates the GPIO number. yyy, yyy_zzz: Indicates the alternate function. zzzn: Indicates LVDS TX or RX and number. |
| TXN _n , TXP _n | LVDS | I/O | LVDS transmitter (TX). n: Indicates the number. |
| RXN _n , RXP _n | LVDS | I/O | LVDS receiver (RX). n: Indicates the number. |
| CLKN _n , CLKP _n | LVDS | I/O | Dedicated LVDS receiver clock input. n: Indicates the number. |
| RXN _n _EXTFB _n RXP _n _EXTFB _n | LVDS | I/O | LVDS PLL external feedback. n: Indicates the number. |

| Function | Group | Direction | Description |
|----------|-------|-----------|---|
| REF_RES | - | - | REF_RES is a reference resistor to generate constant current for LVDS TX. Connect a 12 k Ω resistor with a tolerance of $\pm 1\%$ to the REF_RES pin with respect to ground. If none of the pins in a bank are used for LVDS, leave this pin floating. |

Table 69: Dedicated Configuration Pins

These pins cannot be used as general-purpose I/O after configuration.

| Pins | Direction | Description | Use External Weak Pull-Up |
|----------|---------------|--|---------------------------|
| CDONE | Bidirectional | Configuration done status pin. CDONE is an open drain output; connect it to an external pull-up resistor to VCCIO. When CDONE = 1, configuration is complete. If you hold CDONE low, the device will not enter user mode. | ✓ |
| CRESET_N | Input | Initiates FPGA re-configuration (active low). Pulse CRESET_N low for a duration of $t_{\text{creset_N}}$ before asserting CRESET_N from low to high to initiate FPGA re-configuration. This pin does not perform a system reset. | ✓ |
| TCK | Input | JTAG test clock input (TCK). The rising edge loads signals applied at the TAP input pins (TMS and TDI). The falling edge clocks out signals through the TAP TDO pin. | ✓ |
| TMS | Input | JTAG test mode select input (TMS). The I/O sequence on this input controls the test logic operation. The signal value typically changes on the falling edge of TCK. TMS is typically a weak pull-up; when it is not driven by an external source, the test logic perceives a logic 1. | ✓ |
| TDI | Input | JTAG test data input (TDI). Data applied at this serial input is fed into the instruction register or into a test data register depending on the sequence previously applied at TMS. Typically, the signal applied at TDI changes state following the falling edge of TCK while the registers shift in the value received on the rising edge. Like TMS, TDI is typically a weak pull-up; when it is not driven from an external source, the test logic perceives a logic 1. | ✓ |
| TDO | Output | JTAG test data output (TDO). This serial output from the test logic is fed from the instruction register or from a test data register depending on the sequence previously applied at TMS. During shifting, data applied at TDI appears at TDO after a number of cycles of TCK determined by the length of the register included in the serial path. The signal driven through TDO changes state following the falling edge of TCK. When data is not being shifted through the device, TDO is set to an inactive drive state (e.g., high-impedance). | ✓ |



Note: All dedicated configuration pins have Schmitt Trigger buffer. See [Table 34: Single-Ended I/O and Dedicated Configuration Pins Schmitt Trigger Buffer Characteristic](#) on page 30 for the Schmitt Trigger buffer specifications.

Table 70: Dual-Purpose Configuration Pins

In user mode (after configuration), you can use these dual-purpose pins as general I/O.

| Pins | Direction | Description | Use External Weak Pull-Up |
|--------------|-----------|--|---------------------------|
| CBUS[2:0] | Input | Configuration bus width select. Connect to weak pull-up resistors if using default mode (x1). | ✓ |
| CBSEL[1:0] | Input | Optional multi-image selection input (if external multi-image configuration mode is enabled). | N/A |
| CCK | I/O | Passive SPI input configuration clock or active SPI output configuration clock (active low). Includes an internal weak pull-up. | N/A |
| CDIn | I/O | n is a number from 0 to 31 depending on the SPI configuration. 0: Passive serial data input or active serial output. 1: Passive serial data output or active serial input. n : Parallel I/O. In multi-bit daisy chain connection, the CDIn (31:0) connects to the data bus in parallel. | N/A |
| CSI | Input | Chip select. 0: The FPGA is not selected or enabled and will not be configured. 1: Selects the FPGA for configuration (SPI and JTAG configuration). | ✓ |
| CSO | Output | Chip select output. Selects the next device for cascading configuration. | N/A |
| NSTATUS | Output | T8 BGA49 and T8 BGA81: Status (active low). Indicates a configuration error. When the FPGA drives this pin low, it indicates an ID mismatch. T8 QFP144: Status (active low). Indicates a configuration error. When the FPGA drives this pin low, it indicates an ID mismatch, the bitstream CRC check has failed, or remote update has failed. | N/A |
| SS_N | Input | SPI slave select (active low). Includes an internal weak pull-up resistor to VCCIO during configuration. During configuration, the logic level samples on this pin determine the configuration mode. This pin is an input when sampled at the start of configuration (SS is low); an output in active SPI flash configuration mode. The FPGA senses the value of SS_N when it comes out of reset (pulse CRESET_N low to high). 0: Passive mode 1: Active mode | ✓ |
| TEST_N | Input | Active-low test mode enable signal. Set to 1 to disable test mode. During configuration, rely on the external weak pull-up or drive this pin high. | ✓ |
| RESERVED_OUT | Output | Reserved pin during user configuration. This pin drives high during user configuration. BGA49 and BGA81 packages only. | N/A |

Efinity Software Support

The Efinity[®] software provides a complete tool flow from RTL design to bitstream generation, including synthesis, place-and-route, and timing analysis. The software has a graphical user interface (GUI) that provides a visual way to set up projects, run the tool flow, and view results. The software also has a command-line flow and Tcl command console. The Efinity[®] software supports simulation flows using the ModelSim, NCSim, or free iVerilog simulators. An integrated hardware Debugger with Logic Analyzer and Virtual I/O debug cores helps you probe signals in your design. The software-generated bitstream file configures the T8 FPGA. The software supports the Verilog HDL and VHDL languages.

T8 Interface Floorplan



Note: The numbers in the floorplan figures indicate the GPIO and LVDS number ranges. Some packages may not have all GPIO or LVDS pins in the range bonded out. Refer to the **T8 pinout** for information on which pins are available in each package.

Figure 26: Floorplan Diagram for BGA49 and BGA81 Packages

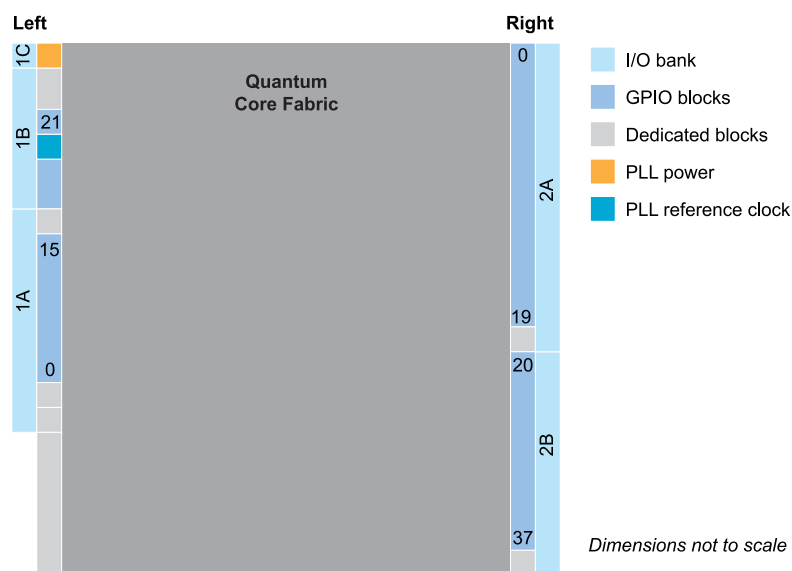
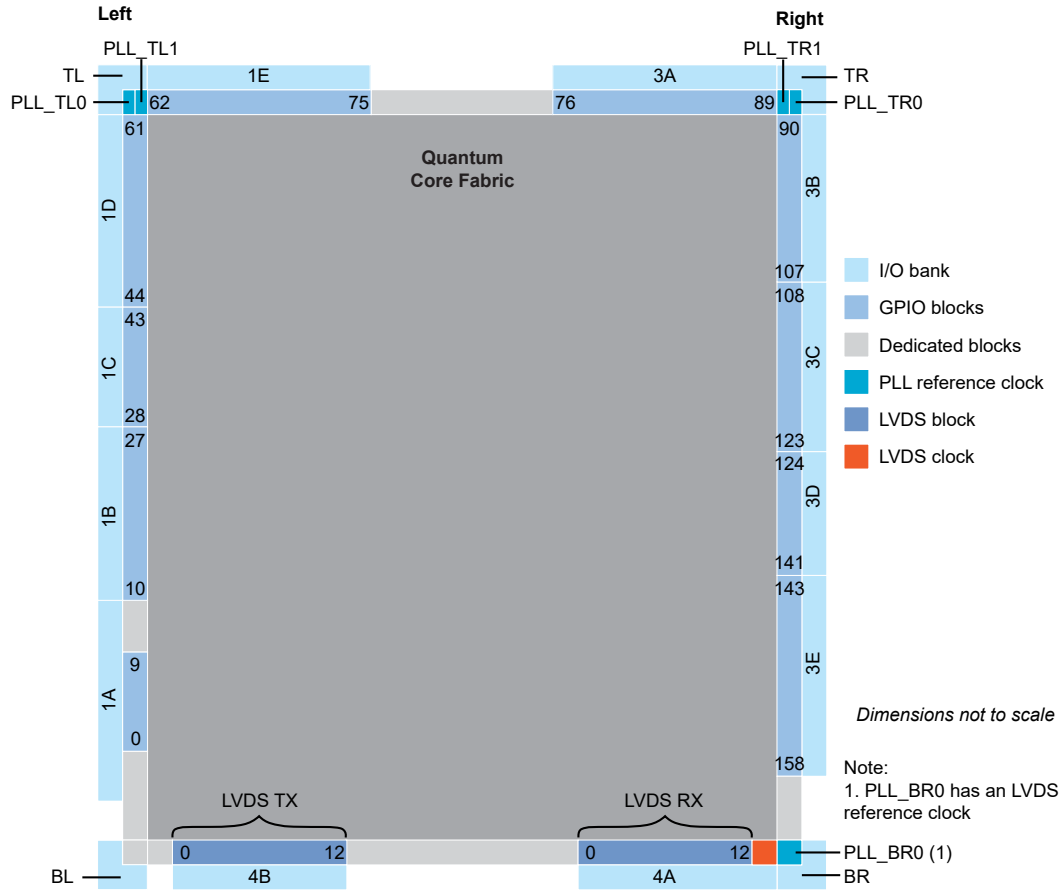


Figure 27: Floorplan Diagram for QFP144 Packages



Ordering Codes

Refer to the [Trion Selector Guide](#) for the full listing of T8 ordering codes.

Revision History

Table 71: Revision History

| Date | Version | Description |
|----------------|---------|--|
| January 2022 | 4.0 | Corrected power supply ramp rate. (DOC-699) |
| January 2022 | 3.9 | Removed LVDS Pins Configured as Single-Ended I/O Buffer Drive Strength Characteristics for QFP144 packages. (DOC-679) Added Output Differential Voltage with Reduce VOD Swing option enabled specs. (DOC-648) Added maximum I/O pin input current, I_{IN} , and maximum per bank specs. (DOC-652) Added PLL input clock duty cycle, t_{INDT} , specs. (DOC-661) Updated CDONE pin direction as bidirectional. (DOC-672) |
| November 2021 | 3.8 | Added storage temperature, T_{STG} spec. (DOC-560) Updated maximum JTAG mode TCK frequency, f_{TCK} . (DOC-574) Updated CSI pin description. (DOC-546) Updated LVDS Pins Configured as Single-Ended I/O Buffer Drive Strength specifications. (DOC-578) Update LVDS standard compliance which is TIA/EIA-644. (DOC-592) Updated t_{CLKH} and t_{CLKL} , and corrected SPI Passive Mode (x1) Timing Sequence waveform. (DOC-590) Updated REF_RES_xx description. (DOC-602, DOC-605) Updated Maximum Toggle Rate table. (DOC-630) Updated minimum Power Supply Ramp Rates. (DOC-631) |
| September 2021 | 3.7 | Added Single-Ended I/O and LVDS Pins Configured as Single-Ended I/O Rise and Fall Time specs. (DOC-522) Added note to Active mode configuration clock frequency stating that for parallel daisy chain x2 and x4 configuration, f_{MAX_M} , must be set to DIV4. (DOC-528) Added Global Clock Location topic. (DOC-532) Added Maximum t_{USER} for SPI Active and Passive Modes topic. (DOC-535) |
| August 2021 | 3.6 | Removed Static Supply Current parameter. (DOC-456) Added internal weak pull-up and pull-down resistor specs. (DOC-485) Updated table title for Single-Ended I/O Schmitt Trigger Buffer Characteristic. (DOC-507) Added note in Pinout Description stating all dedicated configuration pins have Schmitt Trigger buffer. (DOC-507) |
| June 2021 | 3.5 | Updated CRESET_N pin description. (DOC-450) |
| April 2021 | 3.4 | Updated PLL specs; t_{LJIT} (PK - PK) and t_{DT} . (DOC-403) Added note about limiting number of LVDS as GPIO output and bidirectional per I/O bank to avoid switching noise. (DOC-411) |
| March 2021 | 3.3 | Added LVDS TX reference clock output duty cycle and lane-to-lane skew specs. (DOC-416) |
| March 2021 | 3.2 | The simple PLL output is negative edge aligned. (DOC-400) |

| Date | Version | Description |
|----------------|---------|--|
| February 2021 | 3.1 | <p>Added I/O input voltage, V_{IN} specification. (DOC-389)</p> <p>Added LVDS TX data and timing relationship waveform. (DOC-359)</p> <p>Added LVDS RX I/O electrical specification waveform. (DOC-346)</p> |
| December 2020 | 3.0 | <p>Updated NSTATUS pin description. (DOC-335)</p> <p>Added data for C4L and I4L DC speed grades. (DOC-268)</p> <p>Updated Advanced PLL reference clock input note by asking reader to refer to PLL Timing and AC Characteristics (QFP144). (DOC-336)</p> <p>Added other PLL input clock frequency sources in PLL Timing and AC Characteristics (QFP144). (DOC-336)</p> <p>Removed OE and RST from LVDS block as they are not supported in software. (DOC-328)</p> <p>Added a table to Power Up Sequence topic describing pin connection when PLL or GPIO is not used. (DOC-325)</p> <p>Updated f_{MAX_S} for passive configuration modes. (DOC-350)</p> |
| September 2020 | 2.9 | <p>Updated pinout links.</p> |
| August 2020 | 2.8 | <p>Removed typical standby (low power [LP] option) from static supply current table and updated typical standby value for BGA49 and BGA81 packages.</p> <p>Updated t_{USER} timing parameter values and added a note about the conditions for the values.</p> <p>Updated description for GPIO pins state during configuration to exclude LVDS as GPIO.</p> <p>Added operating junction temperature for industrial speed grade for BGA49 and BGA81 packages.</p> <p>Updated block RAM and multiplier block maximum frequencies to include I2 speed grade.</p> <p>Added f_{MAX} for single-ended I/O and LVDS configured as single-ended I/O.</p> <p>Added maximum power supply current transient during power-up.</p> |
| July 2020 | 2.7 | <p>Removed preliminary note from F_{OUT}, F_{VCO}, t_{DT}, and t_{OPJIT}. These specifications are final.</p> <p>Updated timing parameter symbols in boundary scan timing waveform to reflect JTAG mode parameter symbols.</p> <p>Added supported GPIO features.</p> <p>Updated the maximum F_{VCO} for advanced PLL to 1,600 MHz.</p> <p>Updated the C divider requirement for the 90 degrees phase shift in the Advanced PLL Interface Designer Settings - Manual Configuration Tab.</p> <p>Removed LVDS electrical specifications note about RX differential I/O standard support. Added as a note in LVDS functional description topic.</p> <p>Added note to LVDS RX interface block diagram.</p> <p>Updated I/O bank names from TL_CORNER, BL_CORNER, TR_CORNER, and BR_CORNER to TL, BL, TR, and BR respectively.</p> <p>Updated the term DSP to multiplier.</p> <p>Updated power up sequence description about holding CRESET_N low.</p> <p>Updated PLLCLK pin name to PLL_CLKIN.</p> <p>Added PLL_EXTFB as an alternative input in GPIO signals table for complex I/O buffer.</p> <p>Updated PLL names in PLL reference clock resource assignments.</p> |
| April 2020 | 2.6 | <p>Removed preliminary note from LVDS I/O electrical specification. These specifications are final.</p> |

| Date | Version | Description |
|----------------|---------|---|
| February 2020 | 2.5 | Added f_{MAX} for DSP blocks and RAM blocks. Added Trion power-up sequence. Updated number of global clocks and controls that can come from GPIO pins in package resources table. |
| December 2019 | 2.4 | Updated PLL settings in the Interface Designer. Removed DIV1 and DIV2 active mode configuration frequencies; they are not supported. Added note to LVDS electrical specifications about RX differential I/O standard support. |
| October 2019 | 2.3 | Added explanation that 2 unassigned pairs of LVDS pins should be located between and GPIO and LVDS pins in the same bank. Updated the reference clock pin assignments for TL_PLL0 and TL_PLL1. Added waveforms for configuration timing. Clarified I/O bank information. |
| September 2019 | 2.2 | Minor clarifications. |
| August 2019 | 2.1 | Updated formatting for I/O bank information. |
| August 2019 | 2.0 | Added information about T8 FPGAs in 144-pin QFP packages. |
| February 2019 | 1.7 | Removed incorrect footnote about LVDS under Available Package Options. |
| November 2018 | 1.6 | Updated PLL interface description. Added packaging and floorplan information. Updated configuration timing and PLL timing information. |
| August 2018 | 1.5 | Updated configuration pin table. Renamed RST PLL pin as RSTN. |
| August 2018 | 1.4 | Updated standby current specifications. Updated ordering codes. |
| July 2018 | 1.3 | Updated the PLL timing specification to add F_{PFD} . Clarified the slew rate description. |
| May 2018 | 1.2 | Added ordering code information. |
| April 2018 | 1.1 | Minor changes throughout. |
| December 2017 | 1.0 | Initial release. |

Looking for pricing, stock, or lifecycle information?

Click below to explore more details on WIN SOURCE:

 [View T8Q144C3 on WIN SOURCE](#)

 [Efinix, Inc. Information](#)

Optimize Your Supply Chain with WIN SOURCE Solutions

-  Global Sourcing Solution
-  Obsolete Management
-  Cost Control Management
-  Shortage Management
-  Alternative Solution
-  Excess Inventory Management