

Overview [\(Ask a Question\)](#)

PolarFire® SoC is built upon the award-winning PolarFire FPGA non-volatile FPGA platform. Featuring a five core Linux® capable processor subsystem based on the RISC-V ISA, PolarFire SoC brings to market an innovative, mid-range, embedded compute platform that inherits all the benefits of the PolarFire FPGA product family. The RISC-V CPU micro-architecture implementation is a simple, 5-stage single issue in order pipeline that does not suffer from the Meltdown and Spectre exploits found in common out-of-order machines. All five CPU cores are coherent with the memory subsystem allowing a versatile mix of deterministic real time systems and Linux in a single, multi-core CPU cluster.

The PolarFire SoC family now includes cost-optimized core devices for applications that don't require high-speed serial transceivers. These SoCs offer up to 460K logic elements and combine embedded RISC-V processing with a wide range of logic densities, packaging options, fast I/O, and configuration flexibility to meet diverse performance, power, and cost requirements.

With Secure Boot built-in, innovative Linux and Real Time modes, a large Flexible L2 memory subsystem, and a rich set of embedded peripherals, PolarFire SoC provides designers new choices in secure, power-efficient, embedded compute platforms. This document describes the features of PolarFire SoC extended commercial (0 °C to 100 °C T_j) and industrial (-40 °C to 100 °C T_j) device offerings.

Table of Contents

Overview.....	1
1. Microprocessor Subsystem Features.....	4
1.1. FPGA Features.....	5
2. Block Diagram.....	8
3. Product Family Table.....	9
4. Microprocessor Subsystem.....	11
4.1. CPUs.....	11
4.2. Debug.....	16
4.3. Interrupts.....	17
4.4. Memory Subsystems.....	18
4.5. Processor I/O.....	20
4.6. Processor-to-Fabric Interconnect.....	26
4.7. Secure Boot.....	26
4.8. Peripheral Memory SECEDED Reporting and Error Injection.....	27
4.9. DMA Controller.....	27
5. Programmable Logic Subsystem.....	28
5.1. Clock Management.....	28
5.2. Debug Probe System.....	29
5.3. I/Os.....	30
5.4. Non-Volatile FPGA Fabric.....	36
5.5. PCI Express (Not Applicable to PolarFire SoC Core Devices).....	40
6. System Controller	41
6.1. System Services.....	41
6.2. Programming.....	41
7. Low Power.....	43
7.1. Non-Volatile Technology.....	43
7.2. Lower Power "L" Devices.....	43
7.3. Low-Power Transceiver Lane (Not Applicable to PolarFire SoC Core Devices).....	43
8. Reliability.....	44
8.1. FPGA Fabric.....	44
8.2. LSRAM.....	44
8.3. μ SRAM.....	44
8.4. Digests.....	44
8.5. System Controller Suspend Mode.....	44
9. Security.....	46
9.1. Hardware Security.....	46
9.2. Design Security.....	46
9.3. Data Security (Only "S" Devices).....	46
9.4. Security Features and System Services Summary.....	47

10. PolarFire SoC Device Offerings.....	50
11. Ordering Information.....	51
11.1. Export Classification.....	51
12. Appendix: Device Offering.....	52
13. Revision History.....	54
Microchip Information.....	55
Trademarks.....	55
Legal Notice.....	55
Microchip Devices Code Protection Feature.....	55

1. Microprocessor Subsystem Features [\(Ask a Question\)](#)

- 64-bit RV64GC (RV64GC or RV64IMAFDC: RISC-V 64-bit Integer, Multiply and divide, Atomic, Floating point single and Double precision and Compressed instruction set support) quad application processing cores, F_{MAX} of 667 MHz ($-40\text{ }^{\circ}\text{C}$ to $100\text{ }^{\circ}\text{C}$ T_j), 3.125 CoreMarks/MHz, 1.714 DMIPS/MHz
 - L1 memory subsystem with single-error correct, double-error detect (SECEDED)
 - 32 KB 8-way instruction cache or optional 28 Kbytes tightly integrated memory
 - 32 KB 8-way data cache
- Memory Management Unit (MMU)
- Physical Memory Protection (PMP) unit
- 64-bit RV64IMAC (RV64IMAC: RISC-V 64-bit Integer, Multiply and divide, Atomic, and Compressed instruction set support) monitor processor core, F_{MAX} of 667 MHz ($-40\text{ }^{\circ}\text{C}$ to $100\text{ }^{\circ}\text{C}$ T_j), 3.125 CoreMarks/MHz, 1.714 DMIPS/MHz
 - L1 memory subsystem with SECEDED
 - 16 KB 2-way instruction cache
 - 8 KB scratch pad memory
 - PMP unit
- Flexible 2 MB L2 memory subsystem with SECEDED configurable as:
 - 16-way set associative L2 cache with write-back policy
 - Loosely Integrated Memory (LIM) mode for deterministic access
 - Coherent directly addressable Scratchpad Memory mode for shared messages across cores
- Integrated 36-bit DDR4/DDR3/LPDDR4/LPDDR3 memory controller with SECEDED
 - DDR4 at 1.6 Gbps with a 8 GB address reach
- Cache coherent CPU bus matrix
- AMBA I/O switch with QoS and Memory Protection Unit (MPU)
- Integrated 128 KB embedded non-volatile memory (eNVM) for boot code
- Boot options
 - Microchip secure boot
 - User defined, PUF-protected secure boot
 - Boot directly from eNVM
- Platform interrupt controller
 - 185 interrupt sources from the microprocessor subsystem and FPGA fabric with seven priority levels
- Local interrupt controller
 - 48 local interrupts sourced from the FPGA drive the local interrupt controller on each core
- Debug
 - Ten hardware triggers (triggers can be configured as a breakpoint or a watchpoint)
 - Instruction trace on all CPUs
 - Performance counters
 - Runtime-configurable AXI bus monitors
 - Monitor AXI commands to DDR
 - Monitor an AXI port going into or out of the AMBA I/O AXI switch

- 32-bit fabric monitor
- SmartDebug
 - Dynamically monitor any two nets in the FPGA on two pins without changing the FPGA design
 - Read/write to FPGA flip-flops and memories
 - Halt clock trees, inspect logic tree
 - FPGA breakpoints
 - SmartDebug integrated into processor debug transport layer—debug from a single tool chain
- Secure debug remotely over Ethernet (both the processor subsystem and the FPGA design)
- Processor I/O
 - Two GigE MACs
 - One USB 2.0 OTG
 - MMC 5.1 SD/SDIO
 - Two CAN 2.0 A and B
 - Execute in place Quad SPI flash controller
 - Five multi-mode UARTs
 - Two SPI, two I²C
 - RTC, GPIO
 - Five watchdog timers
 - Timers
- Processor to FPGA Interconnect
 - Two 64-bit processor-fabric bidirectional AXI4 interfaces
 - One 64-bit fabric-to-processor AXI4 interface
 - One 32-bit processor-to-fabric APB interface

1.1. FPGA Features [\(Ask a Question\)](#)

- Up to 461k logic elements consisting of a 4-input look-up table (LUT) with a fractureable D-type flip-flop
- 20 Kb dual- or two-port large static random access memory (LSRAM) block with built-in SECDED
- 64 × 12 two-port μ RAM block implemented as an array of latches
- 18 × 18 math block with a pre-adder, a 48-bit accumulator, and an optional 16-deep × 18 coefficient ROM
- Built-in μ PROM, modifiable at program time and readable at run time for user data storage
- High-speed serial connectivity with built-in, multi-gigabit, multi-protocol transceivers from 250 Mbps to 12.7 Gbps
- Integrated dual x4 PCIe Gen2 endpoint (EP) and root port (RP) designs
- High-speed I/O (HSIO) supporting up to 1600 Mbps DDR4, 1333 Mbps DDR3L, and 1333 Mbps LPDDR3/DDR3 memories with integrated I/O digital
- General-purpose I/O (GPIO) supporting 3.3 V, built-in CDR for serial gigabit Ethernet, 1067 Mbps DDR3, and 1250 Mbps LVDS I/O speed with integrated I/O digital logic
- Low-power, phase-locked loops (PLLs) and delay-locked loops (DLLs) for high precision and low jitter
- 1.0 V and 1.05 V operating modes

1.1.1. Low-Power Features ([Ask a Question](#))

- Low device static power
- Low inrush current
- Low-power transceivers

1.1.2. Reliability Features ([Ask a Question](#))

- FPGA configuration cells single-event upset (SEU) immune
- Built-in SECEDED and memory interleaving on FPGA fabric LSRAMs
- SECEDED on all processor memories
 - Error signals trapped and exported to the FPGA fabric
- System controller suspend mode for safety-critical designs

1.1.3. Security Features ([Ask a Question](#))

- Cryptography Research Incorporated (CRI)-patented differential power analysis (DPA) bitstream protection
- Integrated dual physically unclonable function (PUF)
- 56 KB of secure, non-volatile memory (sNVM)
- Built-in tamper detectors and countermeasures
- Digest integrity check for FPGA, μ PROM, sNVM, and eNVM
- Side channel resistant Crypto co-processor in "S" data security devices

1.1.4. SoftConsole Embedded IDE ([Ask a Question](#))

- Eclipse IDE
- Firmware catalog for device drivers

1.1.5. Libero[®] SoC Design Suite ([Ask a Question](#))

- Complete FPGA development environment
- Includes Synplify Pro synthesis and Mentor ModelSim ME simulation

1.1.6. PolarFire SoC MSS Configurator ([Ask a Question](#))

- Generates a Libero MSS component for the FPGA design
- Generates C data structures to initialize the memory map in the embedded environment
- Configures the following:
 - MSS clocks
 - Fabric interfaces
 - IO banks
 - DDR memories
 - Debug features

1.1.7. PolarFire SoC Icicle Kit ([Ask a Question](#))

The Icicle kit is a low-cost development platform for the PolarFire SoC FPGA. It features:

- PolarFire SoC FPGA (MPFS250T-FCVG484E)

- 2 GB LPDDR4 memory
- 8 GB eMMC
- SD card interface
- 4 x 12.7 Gbps SERDES
- PCIe Gen2 rootport
- 2 x Gigabit Ethernet
- Raspberry Pi IO
- mikroBUS interface

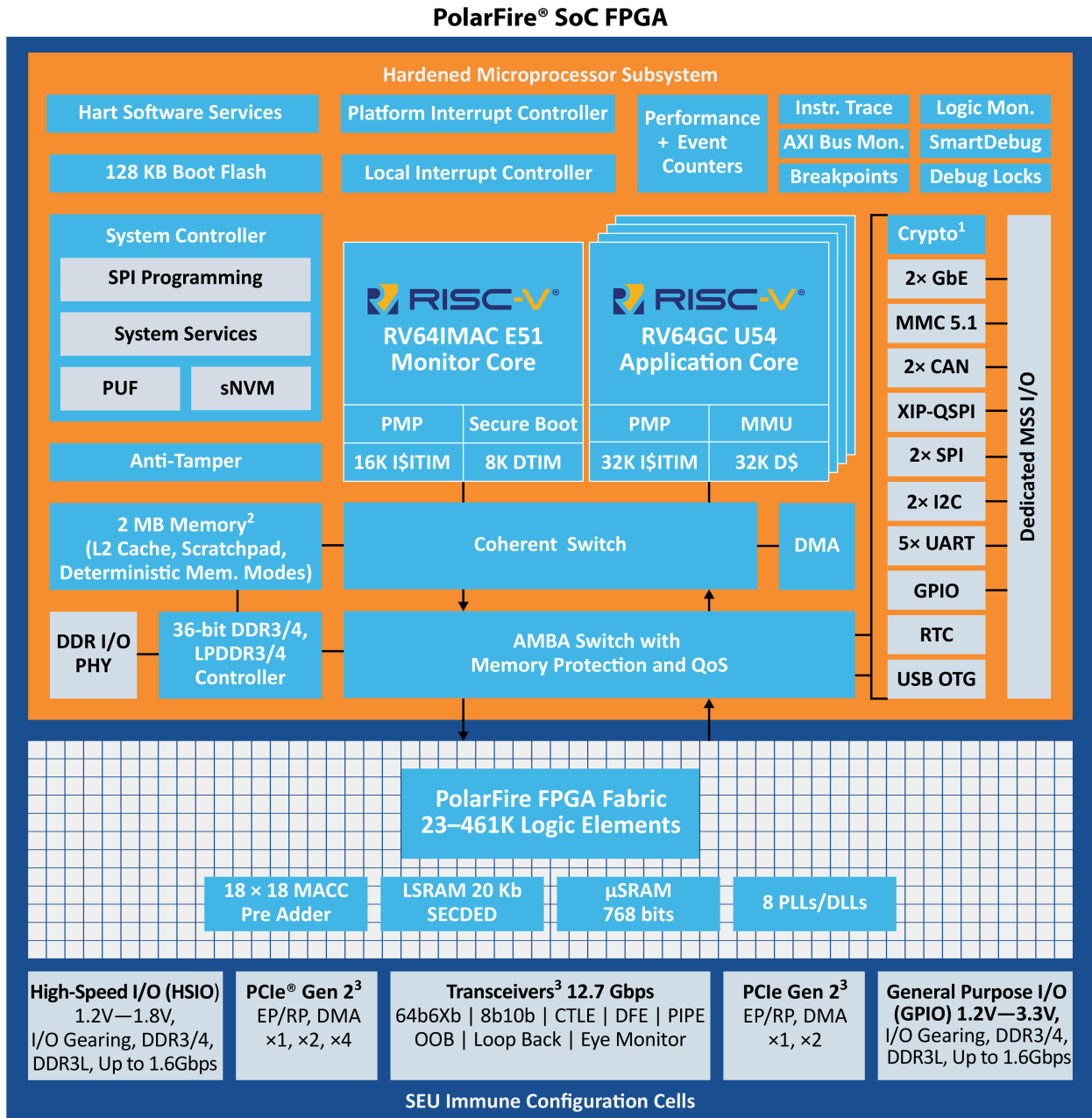
1.1.8. Mi-V Ecosystem [\(Ask a Question\)](#)

The Mi-V RISC-V ecosystem is a continuously expanding, comprehensive suite of tools and design resources developed by Microchip and numerous third parties to fully support RISC-V designs. The Mi-V ecosystem aims to increase adoption of RISC-V ISA and Microchip's PolarFire SoC FPGA and RISC-V soft CPUs.

2. Block Diagram [\(Ask a Question\)](#)

The following illustration shows the functional blocks of PolarFire SoC.

Figure 2-1. Block Diagram



Notes:

1. DPA-Safe Crypto Co-Processor supported in S devices
2. SECEDED supported on all MSS memories
3. PCIe and Transceivers not available in PolarFire Core devices
4. PolarFire Core devices are available in STD speed only. Refer to STD speed I/O specs for core devices.

Note: The microprocessor subsystem and the FPGA operate on the same power domain.

3. Product Family Table [\(Ask a Question\)](#)

The following table lists the product overview and packaging overview of the PolarFire SoC product family. The processor subsystem is common to all devices in the product family.

Table 3-1. PolarFire SoC Product Family^{1, 2}

Features	MPFS025T	MPFS095T	MPFS160T	MPFS250T	MPFS460T
K Logic Elements (4 LUT + DFF)	23	93	161	254	461
Math Blocks (18 x 18 MACC)	68	292	498	784	1420
LSRAM blocks (20 kbit)	84	308	520	812	1460
μSRAM Blocks (64 x 12)	204	876	1494	2352	4260
Total RAM (Mbits)	1.8	6.7	11.3	17.6	31.6
μPROM (Kbits)	194	387	415	470	553
User DLLs/PLLs	8 each	8 each	8 each	8 each	8 each
250 Mbps to 12.5 Gbps SERDES lanes ⁵	4	4	8	16	20
PCIe Gen2 endpoints/root ports ⁵	2	2	2	2	2
HSIO+GPIO	108	276	312	372	468
MSS I/O	136	136	136	136	136
MSS DDR Data Bus	16/32 ³	16/32 ³	32	32	32
Type/Size/Pitch (Commercial/Industrial)	MSS IO/HSIO/GPIO/XCVRs				
FCSG325 (11 mm x 11 mm, 11 mm x 14.5 mm ⁴ , 0.5 mm)	102/32/48/2	102/32/48/2	—	—	—
FCSG536 (16 mm x 16 mm, 0.5 mm)	—	136/60/108/4	136/60/108/4	136/60/108/4	—
FCVG484 (19 mm x 19 mm, 0.8 mm)	136/60/48/4	136/60/84/4	136/60/84/4	136/60/84/4	—
FCVG784 (23 mm x 23 mm, 0.8 mm)	—	136/144/132/4	136/144/168/8	136/144/180/8	—
FCG1152 (35 mm x 35 mm, 1.0 mm)	—	—	—	136/144/228/16	136/180/288/20
Type/Size/Pitch (Military)	MSS IO/HSIO/GPIO/XCVRs				
FCS325 (11 mm x 14.5 mm ⁴ , 0.5 mm)	—	102/32/48/2	—	—	—
FCS536 (16 mm x 16 mm, 0.5 mm)	—	—	—	136/60/108/4	—
FCV484 (19 mm x 19 mm, 0.8 mm)	—	—	—	136/60/84/4	—
FCV784 (23 mm x 23 mm, 0.8 mm)	—	—	—	136/144/180/8	—
FC1152 (35 mm x 35 mm, 1.0 mm)	—	—	—	136/144/228/16	136/180/288/20
Type/Size/Pitch (Automotive)	MSS IO/HSIO/GPIO/XCVRs				
FCSG325 (11 mm x 11 mm, 11 mm x 14.5 mm ⁴ , 0.5 mm)	102/32/48/2	102/32/48/2	—	—	—
FCSG536 (16 mm x 16 mm, 0.5 mm)	—	136/60/108/4	136/60/108/4	136/60/108/4	—
FCVG484 (19 mm x 19 mm, 0.8 mm)	136/60/48/4	136/60/84/4	136/60/84/4	136/60/84/4	—
FCVG784 (23 mm x 23 mm, 0.8 mm)	—	136/144/132/4	136/144/168/8	136/144/180/8	—
FCG1152 (35 mm x 35 mm, 1.0 mm)	—	—	—	—	—

Notes:

1. Devices in the same package type are pin-migratable. For details, refer to the Packaging Users Guide.
2. Extended Commercial and Industrial temperature-grade devices are available in Green RoHS packages.
3. The MSS DDR bus is 16 bits wide in FCSG325 packages. Fabric DDR interface is not supported in the FCSG325 package. Refer the Package Pin Assignment Table for more information.
4. FCSG325 package is available in 11x11 for MPFS025T and 11x14.5 for MPFS095T.
5. SERDES lanes and PCIe Gen2 endpoints/root ports are not available for the PolarFire SoC core series.

4. Microprocessor Subsystem [\(Ask a Question\)](#)

4.1. CPUs [\(Ask a Question\)](#)

4.1.1. E51 Monitor Core [\(Ask a Question\)](#)

The E51 monitor core is a 64-bit embedded RISC-V CPU, including an instruction fetch unit, an execution pipeline, and a data memory system. The monitor core supports the standard RISC-V RV64IMAC user-level instruction set, with machine and user privilege modes. The E51 monitor core typically runs a bare metal code called Hart Software Services.

Table 4-1. E51 Monitor Core

Feature	Description
ISA	RV64IMAC
Instruction cache	16 KB two way
Data tightly integrated memory	8 KB
ECC support	Single-error correct, double-error detect on the DTIM
Privilege modes	Machine (M), User (U)

4.1.1.1. Hart Software Services (HSS) [\(Ask a Question\)](#)

The Hart Software Services is a bare metal code that is built over the PolarFire SoC Hardware Abstraction Layer (HAL). The HSS functions as a zero stage bootloader for bare metal, RTOS, SMP Linux, and AMP systems. It also configures the MSS for peripheral selection, DDR configuration, L2 memory subsystem configuration, fabric interface controllers, clocks, IO configuration, physical memory protection, and so on, with the configuration set by the MSS configurator tool.

The HSS also enables inter-core communication as well as handles interfacing with the system controller for system services. The HSS is designed to run on the E51 core and is available as open source.

4.1.1.2. E51 Instruction Fetch Unit [\(Ask a Question\)](#)

The E51 instruction fetch unit consists of a two-way, 16 KB instruction cache that supports 64-byte cache lines. The access latency is one clock cycle. Writes to memory may be synchronized with the instruction fetch stream with a FENCE.I instruction. The branch predictor comprises a branch target buffer (BTB), which predicts the target of taken branches and jumps; a branch history table (BHT), which predicts the direction of conditional branches; and a return-address stack (RAS), which predicts the target of procedure returns. The BTB is configured to hold 40 entries. The RAS is configured to hold two entries. The BHT uses a gshare prediction scheme with 7 bits of global history to access an array of 128, two-bit saturating counters. The branch predictor has a one-cycle latency, so that correctly predicted control-flow instructions result in no penalty. The branch predictor can be turned off during device configuration to create deterministic systems.

4.1.1.3. E51 I-Cache Reconfiguration [\(Ask a Question\)](#)

The instruction cache can be partially reconfigured into an Instruction Tightly Integrated Memory (ITIM), which occupies a fixed address range in the memory map. ITIM provides high performance, predictable instruction delivery. Fetching an instruction from ITIM is as fast as an instruction-cache hit, with no possibility of a cache miss. ITIM can hold data as well as instructions, though loads and stores to ITIM are not as performant as loads and stores to DTIM. The instruction cache can be configured as ITIM for all ways except for 1 in units of cache lines (64 bytes). A single cache way must remain as an instruction cache. ITIM is allocated simply by storing to it. A store to the n^{th} byte of the ITIM memory map reallocates the first $n+1$ bytes of instruction cache as ITIM, rounded up to the next cache line. ITIM is deallocated by storing zero to the first byte after the ITIM region. The deallocated ITIM space is automatically returned to the instruction cache. For

determinism, software must clear the contents of ITIM after allocating it. It is unpredictable whether ITIM contents are preserved between deallocation and allocation. ITIM is typically used for reduced latency requirements like for an ISR.

4.1.1.4. E51 Execution Pipeline [\(Ask a Question\)](#)

The E51 execution unit is a single-issue, in-order pipeline. The pipeline comprises five stages: instruction fetch, instruction decode and register fetch, execute, data memory access, and register writeback. The pipeline has a peak execution rate of one instruction per clock cycle. It is fully bypassed, so that most instructions have an apparent one-cycle result latency. There are several exceptions:

- LD and LW have a two-cycle result latency, assuming a cache hit.
- LH, LHU, LB, and LBU have a three-cycle result latency, assuming a cache hit.
- MUL, MULW, MULH, MULHU, MULHSU, DIV, DIVU, REM, REMU, DIVW, DIVUW, REMW, and REMUW have between a 2-cycle and 66-cycle result latency, depending on operand values.
- CSR reads have a three-cycle result latency.

The pipeline only interlocks on read-after-write and write-after-write hazards, so instructions may be scheduled to avoid stalls.

The iterative multiplier is configured to produce 16 bits per cycle with an early-out option. The iterative divider has latency of between three and 66 cycles and an early-out option.

Branch and jump instructions transfer control from the memory access pipeline stage. Correctly predicted branches and jumps incur no penalty, whereas mispredicted branches and jumps incur a three-cycle penalty. Most CSR writes result in a pipeline flush, a five-cycle penalty.

4.1.1.5. E51 Data Memory System [\(Ask a Question\)](#)

The E51 data memory system consists of 8 KB Data Tightly-Integrated Memory (DTIM). The access latency is two clock cycles for full words and three clock cycles for smaller quantities. Misaligned accesses are not supported in hardware and result in a trap to support software emulation. Stores are pipelined and commit on cycles where the data memory system is otherwise idle. Loads to addresses currently in the store pipeline result in a five-cycle penalty.

4.1.1.6. E51 Memory Error Correction [\(Ask a Question\)](#)

The E51 DTIM implements single-error correcting, double-error detecting (SECDEC) error correcting code (ECC). The granularity at which this protection is applied (the codeword) is 32 bits (with an ECC overhead of 7 bits per codeword).

4.1.1.6.1. E51 Memory Single-Bit Errors [\(Ask a Question\)](#)

When a single bit error is detected in the E51 L1 memory used as a cache, the error is corrected and the cache line is flushed consequently writing to the next level in the memory hierarchy (L2 cache). When a single bit error is detected in the the E51 L1 memory configured as an ITIM, the error is corrected and written back to the ITIM location.

4.1.1.6.2. E51 Memory Error Reporting [\(Ask a Question\)](#)

ECC events are reported by the Bus-Error Unit (BEU) for a given core. The BEU can be configured to generate interrupts either globally to the Platform Level Interrupt Controller (PLIC), or locally to the specific part where the ECC event occurred. When BEU interrupts are enabled, software can then be used to monitor and count ECC events. In order to detect uncorrectable ECC errors in the L1 memory system, interrupts must be enabled in the BEU. Specifically, to halt execution of a core when an uncorrectable instruction is detected, the BEU must be configured to generate a local interrupt. Uncorrectable ECC errors in the L1 system are also reported to the FPGA fabric as a HALT_CPU_n signal, where n indicates the core (0= E51 core).

4.1.1.7. E51 Local Interrupts [\(Ask a Question\)](#)

The E51 supports up to 48 local interrupt sources routed directly to the core. The local interrupts are sourced from the FPGA fabric. The E51 core receives the same 48 interrupt sources from the FPGA fabric as do the U54 cores.

4.1.2. U54 Application Cores [\(Ask a Question\)](#)

The U54 application core is 64-bit embedded RISC-V microprocessor, including an instruction fetch unit, an execution pipeline, and a data memory system. The application core supports the standard RISC-V RV64IMAFDC (RV64GC) user-level instruction set, with machine, supervisor, and user privilege modes. The U54s may run a rich operating system such as Linux, an RTOS or a bare metal application.

Table 4-2. U54 Application Cores

Feature	Description
ISA	RV64IMAFDC (RV64GC)
Instruction cache	32 KB, 8-way
Instruction tightly integrated memory (ITIM)	Maximum of 28 KB
Data cache	32 KB, 8-way
ECC support	Single-error correct, double-error detect on the instruction cache/ITIM and data cache
Virtual memory support	The U54 has support for Sv39 virtual memory support with a 39-bit virtual address space, 38-bit physical address space, and 32-entry TLB
Privileged modes	Machine (M), Supervisor (S), User (U)

4.1.2.1. U54 Instruction Memory System [\(Ask a Question\)](#)

The instruction memory system consists of a dedicated 32 KB, 8-way, set-associative, Virtually Indexed Physically Tagged (VIPT) instruction cache. The access latency of all blocks in the instruction memory system is one clock cycle. The instruction cache is not kept coherent with the rest of the platform memory system. Writes to instruction memory must be synchronized with the instruction fetch stream by executing a FENCE.I instruction. The instruction cache has a line size of 64 bytes and a cache line fill will trigger a burst access outside of the PolarFire SoC CPU core complex. The core will cache instructions from executable addresses, with the exception of the ITIM. Trying to execute an instruction from a non-executable address will result in a synchronous trap.

4.1.2.2. U54 I-Cache Reconfiguration [\(Ask a Question\)](#)

The instruction cache can be partially reconfigured into an Instruction Tightly Integrated Memory (ITIM), which occupies a fixed address range in the memory map. ITIM provides high-performance, predictable instruction delivery. Fetching an instruction from ITIM is as fast as an instruction-cache hit, with no possibility of a cache miss. ITIM can hold data as well as instructions, though loads and stores to ITIM are not as performant as loads and stores to DTIM. The instruction cache can be configured as ITIM for all ways except for 1 in units of cache lines (64 bytes). A single-instruction cache way must remain as an instruction cache. ITIM is allocated simply by storing to it. A store to the n^{th} byte of the ITIM memory map reallocates the first $n+1$ bytes of instruction cache as ITIM, rounded up to the next cache line. ITIM is deallocated by storing zero to the first byte after the ITIM region. The deallocated ITIM space is automatically returned to the instruction cache. For determinism, software must clear the contents of ITIM after allocating it. It is unpredictable whether ITIM contents are preserved between deallocation and allocation.

4.1.2.3. U54 Instruction Fetch Unit [\(Ask a Question\)](#)

The U54 instruction fetch unit contains branch prediction hardware to improve performance of the processor core. The branch predictor comprises a 40-entry branch target buffer (BTB) that predicts the target of taken branches, a 128-entry branch history table (BHT) that predicts the direction of conditional branches, and a 2-entry return-address stack (RAS) that predicts the target of procedure

returns. The branch predictor has a one-cycle latency, so that correctly predicted control-flow instructions result in no penalty. Mispredicted control-flow instructions incur a three-cycle penalty. The branch predictor can be turned off during device configuration to create deterministic systems. The U54 implements the standard Compressed (C) extension to the RISC-V architecture which allows for 16-bit RISC-V instructions.

4.1.2.4. U54 Execution Pipeline [\(Ask a Question\)](#)

The U54 execution unit is a single-issue, in-order pipeline. The pipeline comprises five stages: instruction fetch, instruction decode and register fetch, execute, data memory access, and register writeback.

The pipeline has a peak execution rate of one instruction per clock cycle, and is fully bypassed so that most instructions have a one-cycle result latency. There are several exceptions:

- LW has a two-cycle result latency, assuming a cache hit.
- LH, LHU, LB, and LBU have a three-cycle result latency, assuming a cache hit.
- CSR reads have a three-cycle result latency.
- MUL, MULH, MULHU, and MULHSU have a 5-cycle result latency.
- DIV, DIVU, REM, and REMU have between a 2-cycle and 33-cycle result latency, depending on the operand values.

The pipeline only interlocks on read-after-write and write-after-write hazards, so instructions may be scheduled to avoid stalls.

The U54 implements the standard Multiply (M) extension to the RISC-V architecture for integer multiplication and division. The U54 has a 16-bit per cycle hardware multiply and a 4-bit per cycle hardware divide.

Branch and jump instructions transfer control from the memory access pipeline stage. Correctly predicted branches and jumps incur no penalty, whereas mispredicted branches and jumps incur a three-cycle penalty.

Most CSR writes result in a pipeline flush with a five-cycle penalty.

4.1.2.5. U54 Data Memory System [\(Ask a Question\)](#)

The U54 data memory system has a 8-way set-associative 32 KB write-back data cache with 64 B cache lines. The data cache is Virtually Indexed Physically Tagged (VIPT). Access latency is two clock cycles for words and double-words, and three clock cycles for smaller quantities. Misaligned accesses are not supported in hardware and result in a trap to support software emulation. The data caches are kept coherent with a directory-based cache coherence manager, which resides in the outer L2 cache. Stores are pipelined and commit on cycles where the data memory system is otherwise idle. Loads to addresses currently in the store pipeline result in a five-cycle penalty.

4.1.2.6. U54 Atomic Operations [\(Ask a Question\)](#)

The U54 core supports the RISC-V standard Atomic (A) extension on regions of the memory map denoted by the attribute A. Atomic memory operations to regions that do not support them generate an access exception precisely at the core. The load-reserved and store-conditional instructions are only supported on cached regions; therefore, generate an access exception on DTIM and other uncached memory regions. See *The RISC-V Instruction Set Manual, Volume 1: User-Level ISA, Version 2.1 [1]* for more information on the instructions added by this extension.

4.1.2.7. U54 Floating Point Unit (FPU) [\(Ask a Question\)](#)

The U54 FPU provides full hardware support for the IEEE® 754-2008 floating-point standard for 32-bit, single-precision and 64-bit, double-precision arithmetic. The FPU includes a fully pipelined fused-multiply-add unit and an iterative divide and square-root unit, magnitude comparators, and float-to-integer conversion units, all with full hardware support for subnormals and all IEEE default values.

4.1.2.8. U54 Virtual Memory Support [\(Ask a Question\)](#)

The U54 has support for virtual memory through the use of a Memory Management Unit (MMU). The MMU supports the Bare and Sv39 modes as described in the *RISC-V Instruction Set Manual, Volume II: Privileged Architecture, Version 1.10* [2]. The U54 MMU has a 39-bit virtual address space mapped to a 38-bit physical address space. A hardware page-table walker refills the address translation caches. Both instruction and data address translation caches are fully associative, and have 32 entries. The MMU supports 2 MB megapages and 1 GB gigapages to reduce translation overheads for large contiguous regions of virtual and physical address space. Note that the U54 does not automatically set the Accessed (A) and Dirty (D) bits in a Sv39 Page Table Entry (PTE). Instead, the U54 MMU will raise a page fault exception for a read to a page with PTE.A=0 or a write to a page with PTE.D=0.

4.1.2.9. U54 Local Interrupts [\(Ask a Question\)](#)

Each U54 supports up to 48 local interrupt sources that are routed directly to the core. The local interrupts are sourced from the FPGA fabric. Each U54 core receives the same 48 interrupt sources from the FPGA fabric.

4.1.2.10. U54 Memory Error Correction [\(Ask a Question\)](#)

The U54 ITIM and DTIM implement single-error correcting, double-error detecting (SECDEC) error correcting code (ECC). The granularity at which this protection is applied (the codeword) is 32-bit (with an ECC overhead of 7 bits per codeword).

4.1.2.10.1. U54 Memory Single-Bit Errors [\(Ask a Question\)](#)

When a single bit error is detected in the U54 L1 memory used as a cache, the error is corrected and the cache line is flushed consequently writing to the next level in the memory hierarchy (L2 cache). When a single bit error is detected in the the U54 L1 memory configured as an ITIM, the error is corrected and written back to the ITIM location.

4.1.2.10.2. U54 Memory Error Reporting [\(Ask a Question\)](#)

ECC events are reported by the Bus-Error Unit (BEU) for a given core. The BEU can be configured to generate interrupts either globally to the Platform Level Interrupt Controller (PLIC), or locally to the specific part where the ECC event occurred. When BEU interrupts are enabled, software can then be used to monitor and count ECC events. In order to detect uncorrectable ECC errors in the L1 memory system, interrupts must be enabled in the BEU. Specifically, to halt execution of a core when an uncorrectable instruction is detected, the BEU must be configured to generate a local interrupt. Uncorrectable ECC errors in the L1 system are also reported to the FPGA fabric as a HALT_CPU_n signal, where n = 0 -5 and n = 1 through 5 = the U54 application cores.

4.1.3. Physical Memory Protection [\(Ask a Question\)](#)

Each CPU in PolarFire SoC includes a physical memory protection (PMP) unit compliant with the *RISC-V Instruction Set Manual, Volume II: Privileged Architecture, Version 1.10*. The PMP unit can be used to set memory access privileges (read, write, execute) for specified memory regions. Each PMP supports 16 regions with a minimum region size of 4 bytes.

4.1.3.1. Functional Description [\(Ask a Question\)](#)

PolarFire SoC includes a Physical Memory Protection (PMP) unit, which can be used to restrict access to memory and isolate processes from each other. The PMP unit has 16 regions and a minimum granularity of 4 bytes. It is permitted to have overlapping regions. The PolarFire SoC PMP unit implements the architecturally defined pmpcfgX CSRs pmpcfg0 and pmpcfg2 supporting 16 regions. pmpcfg1 and pmpcfg3 are implemented but hardwired to zero.

4.1.3.2. Region Locking [\(Ask a Question\)](#)

The PMP allows for region locking whereby once a region is locked, further writes to the configuration and address registers are ignored. Locked PMP entries may only be unlocked with a system reset. A region may be locked by setting the L bit in the pmpicfg register. In addition to locking the PMP entry, the L bit indicates whether the R/W/X permissions are enforced on M-Mode

accesses. When the L bit is set, these permissions are enforced for all privilege modes. When L bit is clear, the R/W/X restrictions apply only to U-mode.

4.2. Debug [\(Ask a Question\)](#)

4.2.1. CPU Debug [\(Ask a Question\)](#)

Each CPU has up to ten breakpoint registers. Breakpoints can halt the respective CPU under the following conditions.

- Address match on Load
- Address match on Store
- Address match on Instruction Fetch
- Address match on User mode
- Address match on Supervisor mode
- Address match on Machine mode

A successful match on address can generate an exception or place the machine into debug mode.

4.2.2. Trace [\(Ask a Question\)](#)

PolarFire SoC includes an Instruction trace interface module. For each core, the following can be captured when an instruction is retired or trapped and trace is enabled.

- The address of the instruction
- The instruction
- Privileged mode during execution
- Trap or retired indication
- Interrupt or exception indication
- Exception cause
- Exception data

PolarFire SoC uses UltraSoC debug infrastructure to compress and transport debug information over a variety of ports.

- Ethernet
- JTAG
- FPGA fabric

4.2.3. AXI Bus Monitors [\(Ask a Question\)](#)

There are two AXI bus monitors within the MSS that allow, at run time, observation of AXI transactions. They can be used for debugging, reporting diagnostics, performance profiling, bare metal security, and other applications. For example, the AXI monitors can passively filter on specific addresses, which master is performing the R/W, without affecting traffic at run time.

The AXI-64 bus monitor is configured to provide full address and data trace on the slave side of the AXI switch.

The AXI-128 bus monitor is configured to provide full address trace on the AXI4-128 bus connecting the MSS L2 interface to the DDR memory. Data trace is not supported in this case. This allows the ability to trace the effectiveness of the cache and DDR response rates

4.2.4. Fabric Monitor [\(Ask a Question\)](#)

PolarFire SoC incorporates a FPGA Fabric Monitor within the MSS. 32 General purpose inputs to the MSS from the FPGA are available for monitoring FPGA logic. Eight general purpose outputs can

be driven into the FPGA fabric to control either users logic or debug instrumentation. The Fabric Monitor pipes data over the debug transport layer and out through one of the defined debug ports, most commonly Ethernet.

4.2.5. SmartDebug [\(Ask a Question\)](#)

Two specified user I/Os is configured (at design capture stage) as either two single-ended live probes or one differential live probe. These live probes provide read access to any register in the FPGA fabric to the output pipeline registers in the LSRAMs and to all the registers in the math block in real-time without having to re-instrument the code. A snapshot of all internal probe points is created and read out asynchronously. The live-probe feature is like a two-channel oscilloscope, whose two channels can be routed out to I/Os for external observation, and to internal ports to allow fabric design observation. Selecting different probe points within the device occurs dynamically through commands over the JTAG port using SmartDebug. Reprogramming of the device is not needed.

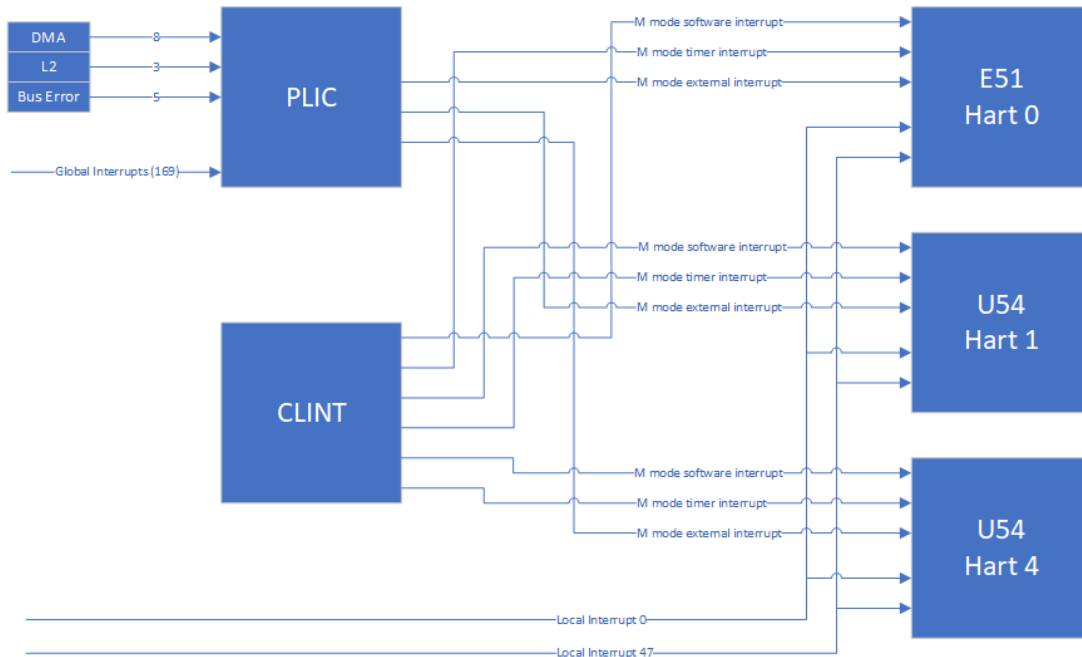
The following are included in the debug probe system.

- Active probe allows dynamic asynchronous read and write to a flip-flop or a probe point. This enables quick internal observation of the logic output or experimentation on how the logic is affected by writing to a probe point.
- Memory debug allows dynamic asynchronous read and write to a μ SRAM or a large SRAM block to quickly verify if the content of the memory is changing as expected.
- Probe insertion allows routing of nodes or debug points in the FPGA design externally through unused I/Os. An oscilloscope/logic analyzer can be attached to monitor them as live signals.

4.3. Interrupts [\(Ask a Question\)](#)

Each hardware thread (hart) in PolarFire SoC has support for the following interrupts: local (including software and timer) and global. Local interrupts are signaled directly to an individual hart with a dedicated interrupt value. This allows for reduced interrupt latency as there is no arbitration required to determine which hart will service a given request, nor additional memory accesses required to determine the cause of the interrupt. Software and timer interrupts are local interrupts generated by the Core Local Interruptor (CLINT). Global interrupts by contrast, are routed through a Platform-Level Interrupt Controller (PLIC), which can direct interrupts to any hart in the system via the external interrupt. Decoupling global interrupts from the hart(s) allows the design of the PLIC to be tailored to the platform, permitting a broad range of attributes like the number of interrupts and the prioritization and routing schemes. By default all interrupts are handled in machine mode. The U54s, which support supervisor mode, can selectively delegate interrupts to supervisor mode.

Figure 4-1. Interrupts



For more information on interrupts, see the [PolarFire SoC MSS Technical Reference Manual](#).

4.4. Memory Subsystems [\(Ask a Question\)](#)

PolarFire SoC contains an on-chip 128 KB embedded non-volatile memory (eNVM) for user code, a flexible L2 memory subsystem, and an integrated DDR memory controller.

4.4.1. L2 Memory Subsystem [\(Ask a Question\)](#)

The PolarFire SoC Level 2 Cache Controller is used to provide access to fast copies of memory for masters in a core complex. The Level 2 Cache Controller also acts as a directory-based coherency manager. The Level 2 Cache Controller offers extensive flexibility as it allows for several features in addition to the Level 2 Cache functionality, such as memory-mapped access to L2 Cache RAM for disabled cache ways, scratchpad functionality, way masking and locking, and ECC support with error tracking statistics, error injection, and interrupt signaling capabilities.

The L2 Cache Controller consists of 4 banks where each bank contains 512 sets of 16 ways, and each way contains a 64-byte block. This subdivision into banks helps facilitate increased available bandwidth between CPU masters and the L2 Cache, as each bank has its own 128-bit inner port. As such, multiple requests to different banks may proceed in parallel. The outer port of the L2 Cache Controller is a 128-bit port shared among all banks and is connected to the DDR controller.

When cache ways are disabled, they are addressable in the L2 Loosely Integrated Memory (L2LIM) address space as described in the [PolarFire SoC MSS Technical Reference Manual](#). Fetching instructions or data from the L2-LIM provides deterministic behavior equivalent to an L2 cache hit, with no possibility of a cache miss. Accesses to L2-LIM are always given priority over cache way accesses which target the same L2 cache bank. Out of reset all ways, except for way 0, are disabled. Cache ways can be enabled by writing to specific control registers. Once a cache way is enabled, it can not be disabled unless the CPU complex is reset. The highest numbered L2 cache way is mapped to the lowest L2-LIM address space, and way 1 occupying the highest L2-LIM address range. As L2 cache ways are enabled, the size of the L2-LIM address space shrinks.

The L2 Cache Controller has a dedicated scratchpad address region that allows for allocation into the cache using an address range which is not memory backed. This address region is denoted as the L2 Zero Device in the memory map. Writes to the scratchpad region will allocate into cache ways

that are enabled and not masked. Care must be taken with the scratchpad, however, as there is no memory backing this address space. Cache evictions from addresses in the scratchpad will result in data loss. The main advantage of the L2 Scratchpad over the L2-LIM is that it is a cacheable region allowing for data stored to the scratchpad to also be cached in a master's L1 data cache resulting in faster access.

4.4.1.1. DDR Memory Controller [\(Ask a Question\)](#)

The hardened, 32-bit DDR memory controller supports the following features:

- DDR4, LPDDR4, DDR3, and LPDDR3 memory support
- Dual Rank support for dual die packages
- Max rate support 1600 Mbps
- DDR memory test feature
- Reorder queue to optimize DDR performance
- Two AXI interfaces
 - 128-bit from CPU L2 Cache
 - 64-bit from central AXI switch
- 32 outstanding transactions per AXI interface
- An integrated Clock Domain Crossing (CDC) circuit allowing the DDR controller clock to be independent of the CPU clock
- A dedicated PLL for DDR clock generation

It can support up to 8 GB of external DDR4 memory and 4 GB of DDR3 memory. SECEDED capability is also provided when configured to a 36-bit bus width, as listed in the following table.

Table 4-3. DDR Memory Controller

Configuration	Active Pads	Lane 0	Lane 1	Lane 2	Lane 3	Lane 4 ¹
5x8 DDR with SECEDED	36	DDRx8	DDRx8	DDRx8	DDRx8	DDRx8 (4 used)
4x8 DDR	32	DDRx8	DDRx8	DDRx8	DDRx8	Not used
3x16 DDR with SECEDED	36	DDRx16		DDRx16		DDRx16 (4 used)
2x16 DDR	32	DDRx16		DDRx16		Not used
3x16 DDR with SECEDED	18	DDRx8	DDRx8	—	—	DDRx8 (2 used)
2x16 DDR	16	DDRx8	DDRx8	—	—	—
1x16 DDR with SECEDED	18	DDRx16		—	—	DDRx16 (2 used)
1x16 DDR	16	DDRx16		—	—	—
1x32 DDR	32	DDRx32				—

Note:

1. Lane 4 is only 4 bits wide, the upper data bits on the DDR memory are not connected.

4.4.1.2. Processor Interconnect [\(Ask a Question\)](#)

There are two interconnect switches built into the MSS. First, there is a fully populated coherent switch that manages coherence through the memory subsystems and provides a deterministic data path to the L2 memory subsystem when it is configured as a loosely integrated memory. Additionally, a central AMBA I/O switch manages the interconnect between the CPU complex, the peripheral I/O space, the hardened DDR memory controller, and the FPGA fabric. The AMBA switch also includes Quality of Service (QoS) features. The QoS feature is essentially a 4-bit value denoting priority for the data path. The central I/O switch is partially connected and supports 15 masters with nine slaves. The AMBA switch also contains a Memory Protection Unit (MPU) scheme that mimics the Physical Memory Protection (PMP) scheme defined in the RISC-V Privileged Specification.

Specifically, the bus masters listed in the following table pass through the AMBA MPU. PMP region address granularity start at 4096 and increase by powers of two. Regions can be defined to support execution, read or write. An additional lock bit can be set on each register that prevents further modification to the MPU protection scheme until the next power on reset.

Figure 4-2. AXI Switch Connectivity

	FIC0-FM	FIC1-FM	FIC2-FM	Crypto	GEM0	GEM1	USB	MMC	SCB	CPLEX-D0	CPLEX-D1	CPLEX-F0	CPLEX-F1	CPLEX-NC	TRACE-M
FIC0-FS	Y	Y	N	Y	Y	Y	Y	Y	Y	N	N	Y	N	N	Y
FIC1-FS	Y	Y	N	Y	Y	Y	Y	Y	Y	N	N	N	Y	N	Y
FIC3-FS	Y	Y	N	Y	N	N	N	N	Y	Y	N	N	N	N	N
Crypto	Y	Y	N	N	Y	Y	Y	Y	Y	Y	N	N	N	N	N
AHB0	Y	Y	N	Y	N	N	N	N	Y	Y	N	N	N	N	N
AHB1	Y	Y	N	N	N	N	N	N	Y	N	Y	N	N	N	N
DDR-NC	Y	Y	Y	Y	Y	Y	Y	Y	Y	N	N	N	N	Y	Y
CPLEX-MMIO	Y	Y	Y	Y	Y	Y	Y	Y	Y	N	N	N	N	N	N
TRACE-S	N	N	N	N	N	N	N	N	Y	Y	N	N	N	N	N

Key	AXI Switch Master Interfaces
FIC0-FM	Fabric Interface Controller-0- Fabric Master
FIC1-FM	Fabric Interface Controller-1- Fabric Master
FIC2-FM	Fabric Interface Controller-2- Fabric Master
Crypto	Athena Crypto Coprocessor
GEM0	Gigabit Ethernet MAC 0
GEM1	Gigabit Ethernet MAC 1
USB	USB
MMC	MMC
SCB	System Controller
CPLEX-D0	Core Complex-D0 Interface
CPLEX-D1	Core Complex-D1 Interface
CPLEX-F0	Core Complex-F0 Interface
CPLEX-F1	Core Complex-F1 Interface
CPLEX-NC	Core Complex - Non-Cached Interface
TRACE-M	Trace Master Interface

	AXI Switch Slave Interfaces
FIC0-FS	Fabric Interface Controller-0- Fabric Slave
FIC1-FS	Fabric Interface Controller-1- Fabric Slave
FIC3-FS	Fabric Interface Controller-3- Fabric Slave
Crypto	Athena Crypto Coprocessor Slave Interface
AHB0	AHB0 Bus Interface to Peripherals
AHB1	AHB1 Bus Interface to Peripherals
DDR-NC	DDR-Non-Cached Slave Interface
CPLEX-MMIO	Core Complex Memory Mapped IO interface
TRACE-S	Trace Slave interface

Table 4-4. Processor Interconnect

Master	PMP Region Count
FIC_0	16
FIC_1	16
FIC_2	8
Crypto	4
Ethernet_0	8
Ethernet_1	8
USB	4
MMC	4
DRI	8
Trace	2

4.5. Processor I/O [\(Ask a Question\)](#)

The PolarFire SoC Microprocessor Subsystem supports 38 general-purpose IOs called as MSS IOs apart from DDR IOs, SGMII IO for Ethernet MACs, and IOs for reference clocks.

The MSS IOs support the following peripherals.

- eMMC/SD/SDIO
- USB
- QSPI-XIP
- Two CAN
- Five UARTs

- Two SPI
- Two I2C
- MSS GPIO

System registers are available to select the signals connected to different IOs.

All these IOs are bonded out to pins in all PolarFire SoC packages.

For more details on MSS IOs, see the [PolarFire SoC MSS Technical Reference Manual](#).

4.5.1. Gigabit Ethernet MAC [\(Ask a Question\)](#)

PolarFire SoC contains two identical Gigabit Ethernet MACs (GEM) integrated into the MSS. Each MAC can contain a maximum frame length of 10,240 bytes that are SECDED protected. Additionally, the GEM supports a built-in packet buffer DMA. Each GEM supports the following IEEE[®] 802 standards:

- IEEE 802.3br Frame Pre-Emption (or Interspersing Express Traffic)
- IEEE 802.1Qci Receive (Ingress) Traffic Policing
- IEEE 802.1Qbb Priority-Based Flow Control
- IEEE 802.1Q VLAN Tagging with Recognition of Incoming VLAN and Priority Tagged Frames
- IEEE 802.1AS
- IEEE 802.1Qav
- IEEE 802.1Qbv
- IEEE 1588-2002 (v1), IEEE 1588-2008 (v1 and v2)
- IEEE 802.1CB Frame Redundancy and Elimination

4.5.1.1. PHY Interfaces [\(Ask a Question\)](#)

Each GEM is configured to simultaneously support TBI and GMII/MII modes. When using TBI, the PCS block of the MAC is used, but not as an IEEE802.3X interface to a transceiver, but rather, is fed into a dedicated MSS SERDES block and from there, interfaces to a PHY. This serialized interface between MAC and PHY is known as SGMII and is part of the MSS. In SGMII mode, the PCS interface and the link speed auto-negotiation blocks are re-purposed from their 802.3X function and are instead used to convey control information related to the MAC-PHY interface.

4.5.1.1.1. Direct SGMII I/O [\(Ask a Question\)](#)

The following functionality provides an SGMII interface from the GEM to the built-in MSS SGMII PHY:

- Clock Domain Recovery (CDR) of received 125 MHz clock
- Serializing/De-serializing
- PLL for synthesis of a 125 MHz transmit clock
- I/O buffers (four I/Os per MAC instance) allowing for differential transmit and receive data pairs

Note: It is not possible to support the SyncE protocol when using the direct MSS SGMII interface.

4.5.1.1.2. GMII/MII To FPGA Fabric [\(Ask a Question\)](#)

A GMII/MII interface is provided between each MAC and the FPGA fabric to provide flexibility. In particular, it allows:

- Connecting to a FPGA fabric transceiver channel to provide an SGMII interface. Note that in this case, the transceiver would be configured to perform 8b10b encoding/decoding in its PCS. This particular approach to implementing an SGMII interface differs from the direct hard SGMII interface of the MSS in that it allows support of the SyncE protocol, which is often used in conjunction with IEEE 1588.

4.5.1.1.3. PHY Management [\(Ask a Question\)](#)

Each MAC has an MDC output and an MDIO input and output port, which may be brought out separately for each MAC instance within the MSS either to MSSIO or to the FPGA fabric. If desired,

however, the user could bring out only one management interface (and not use the second), as it is possible to control multiple PHYs using the one interface (if hardware separation is not required).

4.5.1.2. MSS Receive Filtering [\(Ask a Question\)](#)

4.5.1.2.1. Internal Filtering [\(Ask a Question\)](#)

The GEM is configured to have four internal specific address filters configured. Each filter can be configured to contain a MAC address, which can be specified to be compared against the source address (SA) or destination address (DA) of each received frame. There is also a mask field to allow certain bytes of the address to be excluded in the comparison. If the filtering matches for a specific frame, then it is passed on to the DMA memory. Otherwise the frame is dropped. Frames may also be filtered using the Type ID field for matching. There are four Type ID registers in the internal register space and these may be enabled individually. Hashing of the received frame's DA may be configured, as described in the [PolarFire SoC MSS Technical Reference Manual](#).

4.5.1.2.2. External Filtering [\(Ask a Question\)](#)

To allow for more sophisticated matching of incoming frames, based on more than just addresses, for example, an external filtering interface is present. As a frame is received, the MAC parses the frame and determines what field is currently present. A strobe signal is provided to allow latching of each field in the fabric. Customized (combinational) matching circuitry can then analyze whether or not it is interested in the particular frame (filtering use case) or what receive priority queue to put the frame in (prioritizing use case).

4.5.2. MMC 5.1/SD/SDIO/eMMC [\(Ask a Question\)](#)

PolarFire SoC contains one MMC5.1 compliant peripheral and PHY. The controller interfaces to MSS I/O through the IOMUXs to MSSIO exclusively. PolarFire SoC MSS I/Os do not support the dynamic voltage scaling of some SD cards, external voltage level translators should be used if required. The following eMMC/SD card standards are supported in PolarFire SoC. The SDIO/eMMC interface supports its own DMA controllers for data transfers. The DMA controllers support SDMA and ADMA2 modes.

4.5.2.1. SD Card Standards [\(Ask a Question\)](#)

- Default Speed (DS)
- High Speed (HS)
- UHS-I SDR12
- UHS-I SDR25
- UHS-I SDR50
- UHS-I SDR104
- UHS-I DDR50

4.5.2.2. eMMC Standards [\(Ask a Question\)](#)

- Standard Speed
- High Speed
- DDR52
- HS200
- HS400
- HS400 Enhanced Strobe

4.5.3. USB 2.0 OTG [\(Ask a Question\)](#)

PolarFire SoC includes a USB 2.0 OTG-compliant core with an ULPI interface to the IOMUX, and then on to dedicated MSS I/O. The USB core supports the following features:

- Operates either as the function controller of a high/full-speed USB peripheral or as the host/peripheral in point-to-point or multi-point communications with other USB functions
- Complies with the USB 2.0 standard for high-speed (480 Mbps) functions and with the on-the-go supplement to the USB 2.0 specification
- Supports OTG communications with one or more high-, full-, or low-speed device
- Supports Session Request Protocol (SRP) and Host Negotiation Protocol (HNP)
- Supports suspend and resume signaling
- Supports Link Power Management
- Offers dynamic allocation of endpoints to maximize number of devices supported
- Number of Tx endpoints: 4 (plus control endpoint)
- Number of Rx endpoints: 4 (plus control endpoint)
- Multipoint capabilities supported
- Software connect/disconnect feature enabled
- High bandwidth support for ISO enabled endpoints
- Hardware-selectable option for 8-bit/4-bit LPI interface
- Vendor control and status register enabled with width of 4 and 8, respectively
- Number of DMA channels: 4
- Dynamic FIFO support allows dynamic allocation of buffer depth per enabled endpoint

4.5.4. User Crypto [\(Ask a Question\)](#)

PolarFire SoC embeds an Athena TeraFire F5200B side channel resistant crypto coprocessor and is available on "S" data security devices. For the list of devices that support data security, see [Table 9-1. PolarFire SoC Offerings](#). The user crypto core can be mapped between the MSS and the FPGA fabric via a hardware based handshaking mechanism. The crypto core also supports the F5200B streaming interface directly into the fabric. Internal memories in the Athena core are SECDED protected.

4.5.4.1. TeraFire® EXP-F5200B Supported Protocols Features [\(Ask a Question\)](#)

- TRNG SP800-90A CTR_DRBG-2565; SP800-90B (draft) NRBG
- AES 128/192/256 key lengths E/D (ECB, CBC, CTR, OFB, CFB, GCM, KeyWrap)
- SHA-1/224/256/384/512
- HMAC-SHA-1/224/256/384/512; GMAC-AES; CMAC-AES
- SHA-256 Key Tree
- ECC: NIST P256/384/521 and Brainpool P256/384/512 curves; KeyGen, KAS - ECC CDH, ECDSA SigGen & SigVer, PKG, PKV
- IFC: 1024/1536/2048/3072/4096 RSA E/D; SSA_PKCS1_V1_5 SigGen & SigVer; ANSI X9.31 SigGen & SigVer
- FFC: 1024/153/2048/3072/4096; KAS - DH, DSA SigGen & SigVer

4.5.5. Controller Area Network [\(Ask a Question\)](#)

PolarFire SoC integrates two controller area network cores compliant to CAN 2.0 A and B and conforms to ISO 11898-1. Internal message SRAM is SECDED-protected. The following are CAN controller features.

4.5.5.1. Receive Path [\(Ask a Question\)](#)

- 32 receive buffers

- Each buffer has its own message filter
- Message filter covers: ID, IDE, RTR, data byte 1, and data byte 2
- Message buffers can be linked together to build a bigger message array
- Automatic remote transmission request (RTR) response handler with optional generation of RTR interrupt

4.5.5.2. Transmit Path [\(Ask a Question\)](#)

- 32 Tx message holding registers with programmable priority arbitration
- Message abort command
- Single-shot transmission (no automatic re-transmission upon error or arbitration loss)

4.5.5.3. Debugging Support [\(Ask a Question\)](#)

- Listen only mode
- Internal loop back mode
- External loop back mode
- Error capture register
- SRAM test mode to support software based memory testing (SRAM is addressable by the CPUs if the core is disabled)

4.5.6. QSPI XIP Controller [\(Ask a Question\)](#)

PolarFire SoC integrates a Quad SPI (QSPI) flash controller with eExecute In Place (XIP) capabilities. The following are QSPI features.

- Master SPI Data Rate
 - Programmable SPI clock HCLK/2, HCLK/4 or HCLK/6
 - Maximum data rate is HCLK/2
- FIFOs
 - Transmit and Receive FIFO
 - 16-byte transmit FIFO depth
 - 32-byte receive FIFO depth
- SPI Protocol
 - Master operation
 - Motorola SPI supported
 - Slave select operation in idle cycles configurable
 - Supports extended SPI operation (1, 2, and 4 bits)
 - Supports QSPI operation (4-bit operation)
 - Supports BSPI operation (2-bit operation)
 - Support XIP (execute in place)
 - Supports 3 or 4-byte SPI address.
- Frame Size
 - Supports 8-bit frames directly
 - Back-to-back frame operation supports >8-bit frames
 - Supports up to 4GB Transfer (2^{32} bytes)
- Processor Overhead Reduction
 - Support of SPI flash command/data packets with automatic data generation and discard function

4.5.7. Serial Peripheral Interface [\(Ask a Question\)](#)

Serial peripheral interface (SPI) is a synchronous serial data protocol that enables the microprocessor or microcontroller and peripheral devices to communicate with each other. The SPI controller provides a serial interface compliant with the Motorola SPI, Texas Instruments synchronous serial, and National Semiconductor MICROWIRE™ formats. In addition, SPI supports interfacing with large SPI flash and EEPROM devices and a hardware-based slave protocol engine. There are two identical SPI controllers in the MSS.

- The SPI peripherals support the following features.
- Master and Slave modes
- Selectable slaves (up to 8)
- Configurable slave select operation
- Configurable clock polarity
- Separate transmit (Tx) and receive (Rx) FIFOs to reduce interrupt service loading

4.5.8. Multi-Mode UART [\(Ask a Question\)](#)

The PolarFire SoC multi-mode universal asynchronous/synchronous receiver/transmitter (MMUART) performs serial-to parallel conversion on data originating from modems or other serial devices, and performs parallel-to serial conversion on data from the CPUs. PolarFire SoC contains 5 identical MMUARTs. The MMUART is software compatible with the popular 16550 UART device.

The MMUART peripherals support the following features.

- Asynchronous and synchronous operations
- Full programmable serial interface characteristics
- Data width is programmable to 5, 6, 7, or 8 bits
- Even, odd, or no-parity bit generation/detection
- 1, 1½, and 2 stop bit generation
- 9-bit address flag capability used for multi-drop addressing topologies
- Separate transmit (Tx) and receive (Rx) FIFOs to reduce processor interrupt service loading
- Single-wire half-duplex mode in which Tx pad can be used for bi-directional data transfer
- Local interconnect network (LIN) header detection and auto baud rate calculation
- Communication with ISO 7816 smart cards
- Fractional baud rate capability
- Return to Zero Inverted (RZI) mod/demod blocks that allow infrared data association (IrDA) and serial infrared (SIR) communications
- The most significant bit (MSB) or the least significant bit (LSB) as the first bit while sending or receiving data

4.5.9. I²C [\(Ask a Question\)](#)

Philips inter-integrated circuit (I²C) is a two-wire serial bus interface that provides data transfer between many devices. PolarFire SoC contains two identical I²C peripherals in the MSS that provide a mechanism for serial communication between the PolarFire SoC and external I²C compliant devices. I²C peripherals support the following features:

- Master and Slave modes
- 7-bit addressing format and data transfers up to 100 Kbps in Standard mode and up to 400 Kbps in Fast mode

- Multi-master collision detection and arbitration
- Own slave address and general call address detection
- Second slave address detection
- System management bus (SMBus) timeout and real-time idle condition counters
- Input glitch or spike filters

4.5.10. Real Time Counter [\(Ask a Question\)](#)

PolarFire SoC integrates a real time calendar with built-in clock prescaler and an alarm wake-up comparator. It has the following two modes of operation.

- Real time Calendar (counts seconds, minutes, hours, days, weeks, months, and years)
- Binary counter (counts from 0 to 2^{43})

4.5.11. Watchdog Timer [\(Ask a Question\)](#)

There are five watchdogs in the MSS, one per CPU. The watchdog guards against system crashes by requiring that it is regularly serviced by the assigned processor. The watchdog is not enabled at reset and generates a NMI upon reaching the trigger value. Once enabled, the watchdog cannot be disabled.

4.5.12. Timer [\(Ask a Question\)](#)

The PolarFire SoC system timer consists of two programmable 32-bit decrement counters that generate interrupts to the MSS and FPGA fabric. The two 32-bit timers are identical and have the following features.

- One-shot mode
- Periodic mode
- Concatenation mode in which two 32-bit timers can be concatenated to create a 64-bit timer
- Option to enable or disable the interrupt requests when timer reaches zero
- Controls to start, stop, and reset the timer

4.6. Processor-to-Fabric Interconnect [\(Ask a Question\)](#)

The interconnect between the FPGA fabric and the MSS switches are either AXI- or APB-based. There are three AXI 64-bit interfaces. Two interfaces support a full, 64-bit AXI bus into the fabric from the MSS and from the fabric to the MSS. One AXI 64-bit interface supports a full, 64-bit AXI bus from the fabric into the MSS. The AXI buses all have DLLs to cancel out any insertion delay and can operate asynchronously to the processors operating frequency. In addition, a 32-bit APB bus is provided to the fabric from the MSS.

Table 4-5. Processor-to-Fabric Interconnect

Interface	Type	Width	MSS to Fabric	Fabric to MSS	DLL
FIC_0	AXI4	64b	Yes	Yes	Yes
FIC_1	AXI4	64b	Yes	Yes	Yes
FIC_2	AXI4	64b	No	Yes	Yes
FIC_3	APB	32b	Yes	No	Yes

4.7. Secure Boot [\(Ask a Question\)](#)

PolarFire SoC comes with two secure boot options. For the default PolarFire SoC secure boot method, the system controller will copy the Microchip secure boot loader from its private, secure memory area and load it into the 8 KB DTIM of the E51 monitor core. Reset will be released to the

CPUs and the boot code will start executing. The default secure boot loader will perform a signature check on the 128 KB eNVM then run a hash on the eNVM image. If no errors are reported, the code will jump to the eNVM. If errors are reported, the system controller will activate a tamper alarm that asserts a signal to the FPGA fabric. Users can then decide on a plan of action.

The second secure boot method allows users to place their own boot code in the secure non-volatile memory (sNVM) area of the chip. The sNVM is a 56 KB nonvolatile memory that can be protected by the built-in Physically Unclonable Function (PUF), meaning the unique PUF ID can serve as an initialization vector for an AES encrypt/decrypt operation performed by the side-channel resistant system controller co-processor. On power-up, the system controller will decrypt and copy the user code from sNVM and write it to the E51 monitor core DTIM. From there, your custom secure boot loader starts executing.

4.8. Peripheral Memory SECEDED Reporting and Error Injection [\(Ask a Question\)](#)

The Gigabit Ethernet MACs, the MMC 5.1 controller, the USB OTG controller, the CAN controllers, the crypto core and memory in the built-in MSS DDR controller are protected with by single-error correct, double-error detect (SECEDED) error correction code (ECC) subsystem, which adds 7 bits to 32-bit memories and 8 bits to 64-bit memories. The memories within the CPU system have their own ECC control and reporting systems. The external DDR memory supports optional ECC (using a fifth DDR bank). Each MSS internal memory system has its own set of control and status registers, which consists of a status, interrupt enable, count, and error injection registers. When a two-bit error is detected, the data will not be corrected. If the data is being read over an internal AMBA bus, the system will respond with an APB, AHB, or AXI error response marking the data as corrupted. If the interrupt is enabled, an interrupt will also be generated. If the data is not being read over an AMBA bus like USB, CAN, Ethernet transmit data then corrupted data will be transmitted, and an interrupt generated. The system can then respond to the bus error event or interrupt and take the appropriate recovery action. ECC error injection is supported to ease customer validation of the error correcting subsystem. Data may be written with 1-, 2-, or 3-bit errors by setting the appropriate EDAC error injection control registers.

4.9. DMA Controller [\(Ask a Question\)](#)

The PolarFire SoC MSS Direct Memory Access (DMA) controller supports up to 4 channels of independent simultaneous transfers. Each channel has its own set of control registers and two interrupts, complete and error. Bus transaction sizes are programmable and the transactions can be auto-loaded into the DMA engine. The DMA engine works in conjunction with hart software services (firmware running on the E51).

5. Programmable Logic Subsystem [\(Ask a Question\)](#)

The following section describes the programmable logic subsystem.

5.1. Clock Management [\(Ask a Question\)](#)

In each PolarFire SoC FPGA, there are eight DLLs and eight PLLs to provide flexible clock generation and management capabilities. In addition to these DLLs and PLLs, up to 15 transceiver lane transmit PLLs are also available.

The following are key highlights of the clock management architecture.

- High-speed buffers and routing for low-skew clock distribution
- Frequency synthesis and phase shifting
- Low-jitter clock generation and jitter filtering

5.1.1. DLL [\(Ask a Question\)](#)

The DLL provides a calculated PVT compensated delay to the I/O's digital delay lines and delay or phase-shifted clocks to the FPGA fabric.

The following are the major modes to which the DLL can be configured.

- Time reference mode—the DLL takes a single clock as an input and determines how many delay line buffer taps are required for a signal to pass through them to rotate a signal. The main use of time reference mode is to know how many delay taps are needed to delay the clock by 90 degrees. The value is then provided to the data strobe signal (DQS)/DQSn input signals for double data rate (DDR) memory controllers to delay all DQS/DQSn signals by the required 90-degree phase shift to capture the data from the memory devices. Multiple memory interfaces of the same clock rate can reuse the same DLL with lane level controls for PVT updates.
- Clock injection delay mode—the DLL can be used to compensate for the clock injection delay associated with the source synchronous receive interfaces. The DLL can match delays for the global, regional, and high-speed bank clocks. There are two outputs from the DLL in this mode: a x1 output fixed in time and another output that can be divided by x1, x2, or x4 and can be phase shifted.

5.1.2. PLL [\(Ask a Question\)](#)

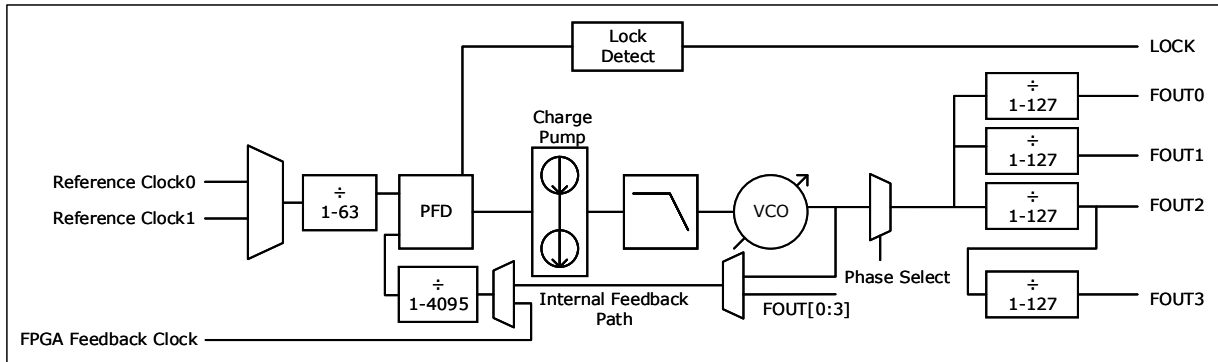
The programmable delta-sigma, low-jitter fractional PLLs are multi-function and general-purpose frequency synthesizers, as shown in the [PLL Block Diagram](#). Wide input and output ranges along with the best-in-class jitter performance allow these PLLs to be used for almost any clocking application. With excellent supply noise immunity, the PLL is ideal for use in noisy FPGA environments.

- The PLL output clock is available in eight phases with 45-degree phase differences. All eight phases are selectable to drive four separate outputs from the PLL, where each output can select any of the eight phases independent of other output selections and each output can also be driven to a zero output when not used.
- Each of the four outputs from the PLL can then be divided independently for any value from 1 to 127. Each of the PLL outputs can have the output divider released by up to seven VCO/4 cycles. The delayed outputs can be set independently for each output clock.
- Fractional-N (24-bit accuracy) capability is added to the feedback divider to have the VCO frequency be a non-integer divide of the reference clock input frequency. The base frequency is applied to all PLL outputs.

- The PLL supports glitch-free start and stop on any one of the four outputs independently by either a register map or a fabric control. This capability also allows the output divider values and the VCO/4 phase selection to be modified glitch-free during the time that the clock is stopped.
- For fine granularity phase control of the PLLs, they can be cascaded with DLLs located near the PLLs, whereby the DLL delay lines can be used in a process, voltage, and temperature (PVT) compensated or non-PVT compensated mode to provide the phase control needed.

The following illustration shows the flow of the PLL functionality.

Figure 5-1. PLL Block Diagram



5.1.3. Clock Network [\(Ask a Question\)](#)

The clock network is designed to route clocks and asynchronous reset signals to large sections of the fabric with limited skew. On occasion, the network can also be used for other high fanout signals that can tolerate long delays, such as non-timing-critical synchronous enables or resets. There are two main clock networks for the FPGA fabric, global, and regional clocks.

5.1.3.1. Global Clocks [\(Ask a Question\)](#)

There are 24 clocks on the device with global, low-skew scope to all synchronous elements. The global can be divided into left and right sides of the device. Thus, the number of global clocks can increase to 48 total clocks with 24 in the left and 24 in the right.

5.1.3.2. Regional Clocks [\(Ask a Question\)](#)

There are up to 38 regional clock domains that interface to the edges of the device. The regional clocks provide a fixed number of logic elements based on the size of the device. Up to 14 clocks are available for the FPGA I/Os and up to 24 clocks are available for the transceiver lanes, one for each lane direction. These are the fast insertion clock networks used to move data in and out of the fabric.

5.2. Debug Probe System [\(Ask a Question\)](#)

Two specified user I/Os can be configured (at design capture stage) as either two, single-ended live probes or one, differential live probe. These live probes can provide read access to any register in the FPGA fabric, to the output pipeline registers in the LSRAMs, and to all the registers in the math block in real time without having to re-instrument the code. A snapshot of all internal probe points can be created and read-out asynchronously. The live-probe feature can be considered a two-channel oscilloscope, whose two channels can be routed out to I/Os for external observation and to internal ports for fabric design observation. Selecting different probe points within the PolarFire SoC FPGA occurs dynamically through commands over the JTAG port using SmartDebug. Reprogramming of the FPGA is not required.

The features of the debug probe system are:

- Active probe allows dynamic asynchronous read and write to a flip-flop or a probe point. This enables quick internal observation of the logic output or experimentation on how the logic will be affected by writing to a probe point.
- Memory debug allows dynamic asynchronous read and write to a μ SRAM or a large SRAM block to quickly verify if the content of the memory is changing as expected.
- Probe insertion allows routing of nodes or debug points in the FPGA design externally through unused I/Os. An oscilloscope/logic analyzer can be attached to monitor them as live signals.

5.3. I/Os [\(Ask a Question\)](#)

PolarFire SoC FPGA device user I/Os support multiple I/O standards while providing the high bandwidth needed to maximize the internal logic capabilities of the device and achieve the required system-level performance.

5.3.1. Low-Power, High-Speed Transceiver Lane (Not Applicable to PolarFire SoC Core Devices) [\(Ask a Question\)](#)

All PolarFire SoC FPGAs contain state-of-the-art low-power transceiver lane capabilities from speeds as low as 250 Mbps up to 12.7 Gbps. The PMA is designed to support multiple protocols (as listed in the following table) with state-of-the-art control and debug features. PCI Express Gen1 or Gen2 support is provided by a hard macro. All other protocols are implemented with a soft IP. Serial Gigabit Ethernet is also supported with GPIO 3.3 V LVDS differential pairs. A single transmit PLL can provide a high-speed clock up to four transceiver lanes.

Table 5-1. Transceiver Lane Protocol Support

Protocol	Data Rate (Gbps)	Channels Bonded
PCIe	2.5, 5	1, 2, 4
Interlaken	6.375, 12.7	1-16
10GBASE-KR	10.3125-12.7	1
SGMII/QSGMII	1.25-5	1
XAUI	3.125	4
RXAUI	3.125, 6.25	2, 3, 4, 6
HiGig/HiGig+/HiGigII	3.75-4.065	4
Fiber Channel	0.6144-12.165	1
SRIO	1.25-6.3	1, 2, 4, 8
SATA	1.5-6	1
JESD204B	0.5-12.5	1-4
Display Port	2, 5, 8	4
SDI	0.277-11.88	1

5.3.1.1. Low-Power Transceiver Lane Features [\(Ask a Question\)](#)

The following are features of the low-power transceiver lane.

- Advanced low-power modes
- Programmable transmit amplitude and emphasis control
- Low-speed CDR operation with support for 270 Mbps SMPTE serial line rates
- Continuous time linear equalization (CTLE) and decision feedback equalization (DFE) for long-reach or backplane applications
- Auto-adaption at receiver equalization and integrated eye monitor feature for easy serial link tuning

- Eye monitor and/or equalization can be powered down to reduce power if not needed
- Out-of-band, electrical idle signaling capability for SAS, SATA, and PCIe
- Multiple loopback modes for test and debug
- Transmit jitter attenuation for loop timing applications (SyncE compatible)
- Hot-socketing capable
- IEEE 1149.6 AC JTAG
- Adjacent channel loopback modes allow transceiver lane data streams to remain active during FPGA fabric programming

5.3.1.2. Transmitter [\(Ask a Question\)](#)

The transmitter is fundamentally a parallel-to-serial converter with a conversion ratio of 8, 10, 16, 20, 32, 40, 64, or 80 bits. It allows the designer to trade-off data path width for timing margin in high-performance designs. These transmitter outputs drive the PC board with a differential output signal. TX_CLK is the appropriately divided serial data clock available to the fabric, and can be used directly to register the parallel data coming from the internal logic. The transmit parallel data has additional hardware support for the 8b/10b, 64b/66b, or 64b/67b encoding schemes to provide a sufficient number of transitions. The bit-serial output signal drives two package pins with differential signals. The output signal pair supports a wide variety of serial protocols and has programmable signal swing, as well as programmable pre- and post-emphasis to compensate for PC board losses and other interconnect characteristics. For shorter channels, the swing can be reduced to lower power consumption. Each transmit lane can be sourced by one of two transmit PLLs. Each transmit PLL can drive up to four transceiver lanes. Transmitter PLLs are state-of-the-art fractional frequency synthesizers with integrated jitter attenuation.

5.3.1.3. Receiver [\(Ask a Question\)](#)

The receiver is fundamentally a serial-to-parallel converter with clock recovery changing the incoming bit-serial differential signal into a parallel stream of words of 8, 10, 16, 20, 32, 40, 64, or 80 bits. This allows the FPGA designer to trade off the internal data path width versus logic timing margin. The receiver takes the incoming differential data stream, feeds it through programmable linear and decision feedback equalizers (to compensate for PC board and other interconnect characteristics), and uses the reference clock input to initiate clock recognition. The data pattern uses non-return-to-zero (NRZ) encoding and optionally guarantees sufficient data transitions by using the selected encoding scheme. The outgoing parallel data has additional hardware support for the 8b/10b, 64b/66b, or 64b/67b encoding schemes to provide a sufficient number of transitions. Parallel data is transferred into the FPGA logic using the recovered clock (RX_CLK).

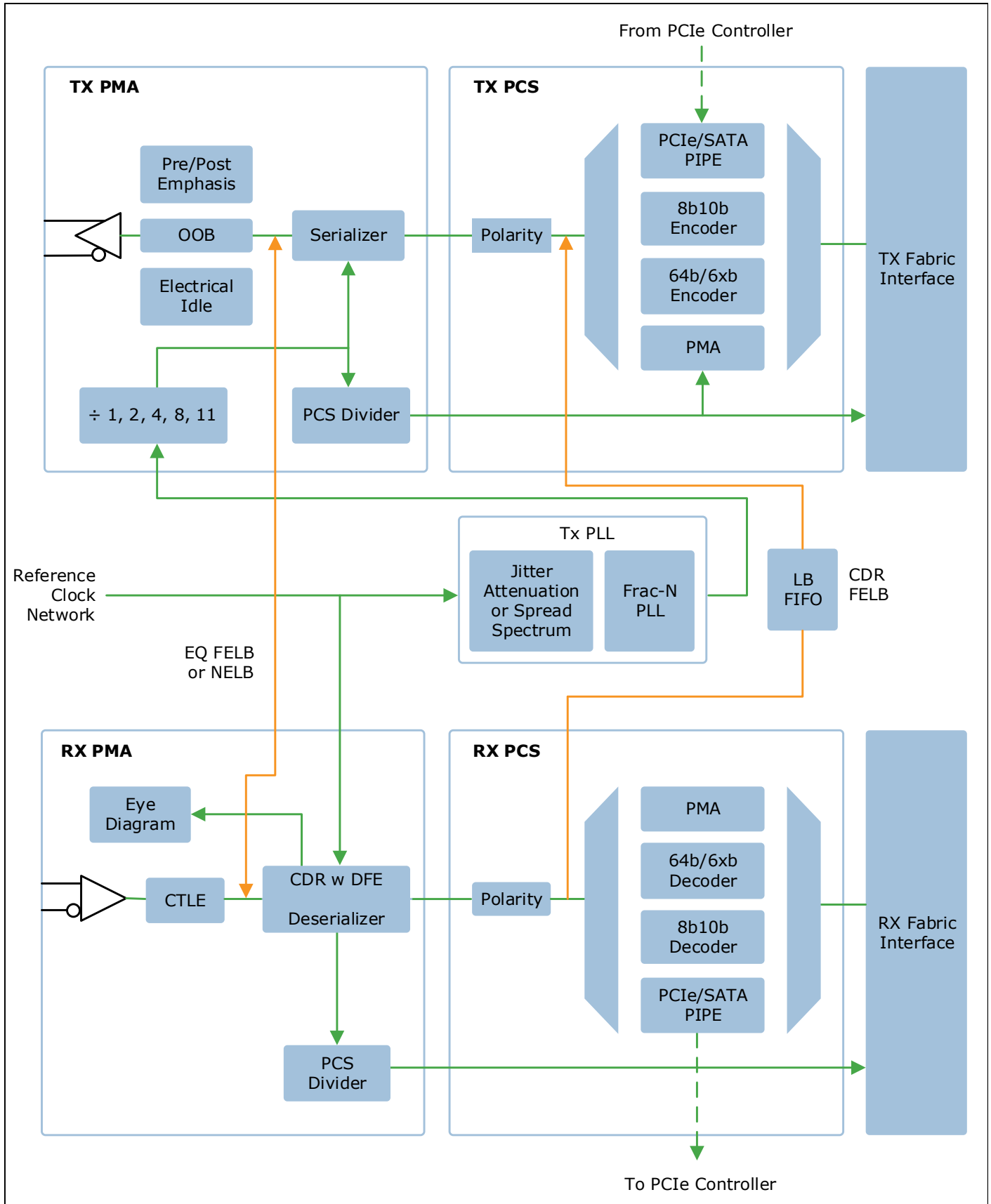
5.3.1.4. Transceiver Lane Modes [\(Ask a Question\)](#)

The transceiver lane supports the following five modes of operation.

- PMA—direct access to the PMA without any encoding
- 8b/10b—8b/10b encoding/decoding is provided
- 64b/6xb—64b/66b or 64/67b encoding/decoding with gearbox logic is provided
- PIPE—a PIPE interface supporting both PCIe Gen2 and SATA 3.0
- PCIe—direct connection to the embedded PCIe Gen2 controller

The following illustration shows the collaboration of the five modes that the transceiver lanes support.

Figure 5-2. Transceiver Lane Modes

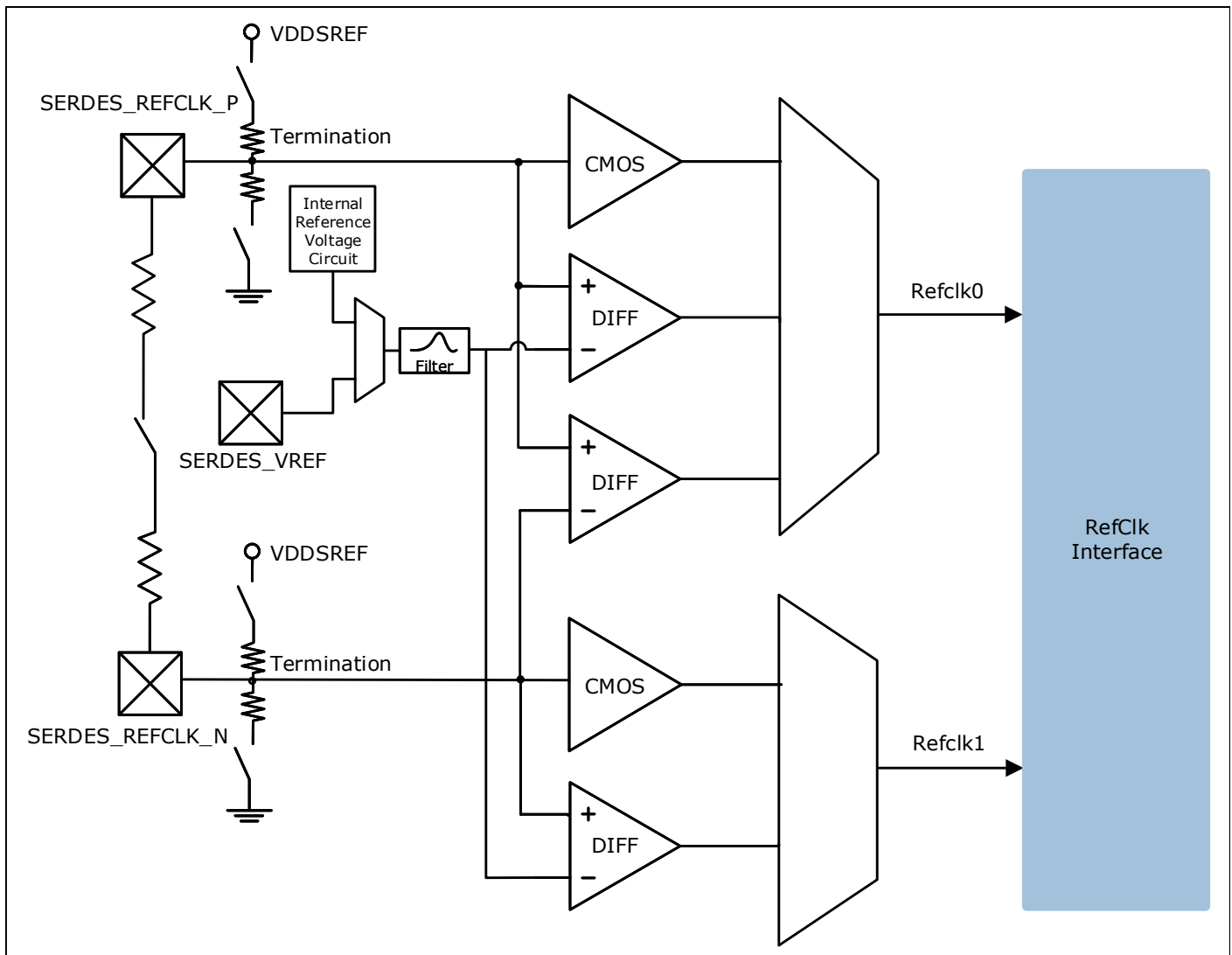


5.3.1.5. Reference Clock [\(Ask a Question\)](#)

The reference clock pins allow connections directly with the transceiver lane quads. The reference clock inputs provide flexibility to interface with both single-ended and differential clocks, and can drive up to two independent clocks per transceiver lane quad. These reference clocks can also be sources for the global and regional clock networks in the FPGA fabric of the device.

The following illustration shows the connectivity between the reference clock and transceiver lane quads.

Figure 5-3. Reference Clock



5.3.1.6. Quad Lane Overlay Assignments [\(Ask a Question\)](#)

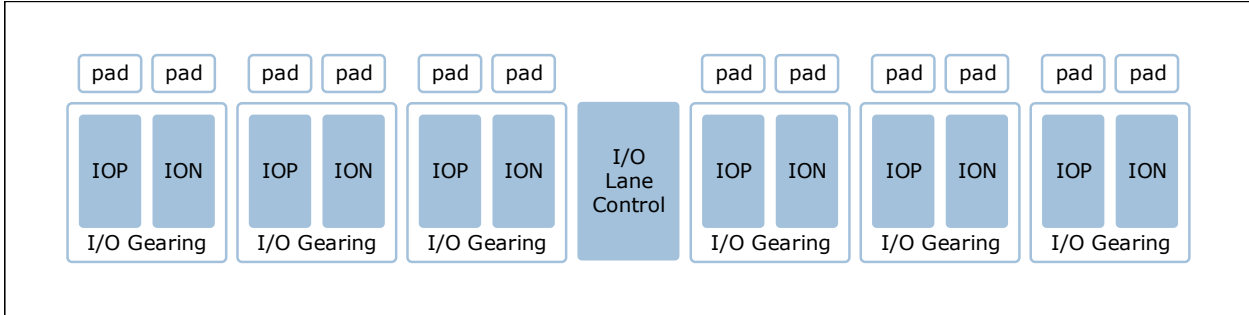
The transceiver lane either connects the parallel side of the interface to the PCIe Gen2 controller or to the fabric. The PCIe connections are fixed in the hardware and have a dedicated number of combinations between the two controllers. The fabric interface is used to support the PMA, 8b/10b, 64b/6xb, and PIPE modes and have complete flexibility into the fabric connections.

For detailed lane assignments, see [UG0920: PolarFire SoC FPGA PCI Express User Guide](#).

5.3.2. Inputs/Outputs (Ask a Question)

PolarFire SoC FPGA I/Os are grouped into pairs to meet the differential I/O standards. Additionally, they are grouped in lanes of 12 buffers with a lane controller for memory interfaces, as shown in the following illustration.

Figure 5-4. I/O Topology



The number of I/O pins varies depending on the device and package size. The persistent I/O feature preserves a state on an I/O without user intervention during programming. The PolarFire SoC FPGA I/O buffers are constructed from the following main sub modules.

- Transmit buffer (PVT compensated)
- Receive buffer
- Termination (Thevenin, Differential, Up, and Down)
- Weak pull mode logic (Up, Down, and Bus-Hold)

Each I/O is configurable and can comply with a large number of I/O standards. The following are two types of user FPGA I/Os in PolarFire SoC FPGAs.

- High-speed I/O (HSIO) optimized for DDR4 memories at speeds up to 1.6 Gbps and a maximum voltage of 1.8 V nominal
- GPIO capable of supporting multiple standards including 3.3 V with an integrated CDR to support SGMII Ethernet applications

The following table summarizes the single-ended I/O support. These are the unterminated standards used in the transceiver lane protocols. Each I/O supports weak pull-up, pull-down, and bus-keeper options. Additionally, each GPIO has a programmable clamp (that is, ON/OFF). For HSIO, the clamp is always ON.

The following table lists the GPIO LVTTTL or LVCMOS receivers that are also designed to support a limited mixed mode of operation to provide greater board I/O design flexibility. For example, if VDDIO is set to 3.3 V, the I/O receivers can operate at the lower voltage of JEDEC standards.

Table 5-2. GPIO Mixed Receiver Mode Operation Capability

VDDIO (V)	LVCMOS33	LVCMOS25	LVCMOS18	LVCMOS15	LVCMOS12
3.3	Yes	Yes	Yes	Not available	Yes
2.5	Yes	Yes	Yes	Yes	Yes
1.8	Yes	Yes	Yes	Yes	Yes
1.5	Yes	Yes	Yes	Yes	Yes
1.2	Yes	Yes	Not available	Yes	Yes

The following table lists the HSIO mixed receiver mode capability.

Table 5-3. HSIO Mixed Receiver Mode Capability

VDDIO (V)	LVC MOS18	LVC MOS15	LVC MOS12
1.8	Yes	Yes	Yes
1.5	Yes	Yes	Yes
1.2	Not available	Yes	Yes

5.3.3. I/O Digital [\(Ask a Question\)](#)

The PolarFire SoC FPGA I/O digital logic is used to interface between the FPGA fabric and the I/O buffers. It interfaces between the high-speed I/O buffers and lower-speed FPGA fabric. The I/O digital block consists of the following:

- Delay chain for input or output delay
- Registers and control logic for input modes and output modes

The I/O digital registers can be configured for both input and output DDR and shift register modes and combined DDR-shift register modes. It allows gearing up the output data rate and gearing down the input data rate. The PolarFire SoC FPGA I/O digital logic works in conjunction with fast and low-skew clock distributions optimized for DDR applications, special clock dividers, and other support circuits to guarantee clock domain crossings.

5.3.3.1. I/O Digital Features [\(Ask a Question\)](#)

The following are I/O digital features.

- Programmable input and/or output delay chain
- Data eye monitor for detecting margin-to-clock edges
- Data eye position optimizer
- Up to 10:1 input deserialization
- Up to 10:1 output serialization
- Support for DDR and SDR interfaces
- Receive slip control to facilitate word alignment
- Fast and low-skew lane clocks per 12 I/Os
- Clock recovery for SGMII and similar interfaces (one per 12 I/Os)
- Flash*Freeze support

5.3.3.2. I/O Digital Modes [\(Ask a Question\)](#)

The following table lists the associated memory interface, I/O data rate, FPGA clock rate, and its applications.

Table 5-4. I/O Digital Modes

Interface	Direction	I/O Data Rate	I/O Clock Rate (MHz)	Gear Ratio	FPGA Clock Rate (MHz)	Applications
DDR4	BiDir	1.6 Gbps	800	8:1	200	Memory interface
DDR3 (L)	BiDir	1.3 Gbps	650	8:1	162.5	Memory interface
LPDDR3	BiDir	1.3 Gbps	650	8:1	162.5	Low-power memory interface
QDR II+	Input/Output	1.1 Gbps	550	8:1	137.5	Low-latency memory interface
RLDRAM3	Input/Output	1.0 Gbps	500	8:1	125	Low-latency memory interface

Table 5-4. I/O Digital Modes (continued)

Interface	Direction	I/O Data Rate	I/O Clock Rate (MHz)	Gear Ratio	FPGA Clock Rate (MHz)	Applications
7:1 LVDS	Input	800 Mbps	400	7:1	114	Flatlink, Cameralink
CDR	Input	1.25 Gbps	625	10:1	125	1000BASE-T, SGMII
MIPI-DPHY	Input/ Output	800 Mbps/ 500 Mbps	250	2:1	125	MIPI CSI, DSI
Wide LVDS	Input/ Output	1.6 Gbps	800	8, 4, 2:1	250	ADC, DAC

5.4. Non-Volatile FPGA Fabric [\(Ask a Question\)](#)

The non-volatile FPGA fabric is built on state-of-the-art 28nm low power non-volatile process technology. The PolarFire SoC FPGA fabric is composed of the following building blocks:

- Logic element
- On-chip memory (LSRAM, μ SRAM, sNVM, and μ PROM)
- Math block

The FPGA fabric configuration cells are SEU immune, and are used to configure I/Os and other aspects of the device. Non-volatile FPGAs do not require the configuration process inherent in SRAM FPGAs. Non-volatile FPGAs power up quickly like an ASIC with minimal inrush current, and are ideal for root-of-trust, first-up functionality in any system.

5.4.1. Logic Element [\(Ask a Question\)](#)

The 4-input LUT can be configured either to implement any 4-input combinatorial function or to implement an arithmetic function where the LUT output is XORed with a carry input to generate the sum output.

The logic element has the following features.

- A fully permutable 4-input LUT optimized for lowest power
- A dedicated carry chain based on a carry look-ahead technique
- A separate flip-flop that can be used independently from the LUT

5.4.2. On-Chip Memory [\(Ask a Question\)](#)

PolarFire SoC FPGAs integrate four different types of memories that allow the designer to optimize for power, functionality, and area. Two memory types are volatile, and two memory types are non-volatile.

Volatile memories:

- LSRAM
- μ SRAM

The LSRAMs are 20 Kb SRAMs with a built-in SECEDED and interleaving to prevent multi-bit upsets (MBUs). The μ SRAMs are small distributed 64 x 12 RAMs, well suited for efficient implementation of small buffers, thereby reserving LSRAM usage for the wider and deeper memories.

Non-volatile memories (NVMs):

- μ PROM
- sNVM

The μ PROM, constructed of SEU-immune, FPGA-configuration non-volatile cells, is readable at run time and writable during device programming. It provides users with SEU-immune parameters, constants, IDs, and parametric or initialization data. The sNVM is accessible through system service

calls. Data written to the sNVM can be protected by the PUF. The sNVM is readable and writable by the designer's application during runtime and is an ideal storage location for user keys and user secure boot code for the microprocessor subsystem.

5.4.3. LSRAM [\(Ask a Question\)](#)

Each LSRAM block consists of 20,480 bits of RAM and includes functionality to support dual-port and two-port modes. There are numerous configurations and features for each block. The Libero SoC Design Suite has an LSRAM configurator that provides automated combining and cascading of several LSRAM blocks into larger memories.

LSRAM features include:

- 428 MHz operation
- True dual-port memory
- Two-port memory (one dedicated write port, one dedicated read port)
- Data widths of $\times 1$, $\times 2$, $\times 5$, $\times 10$, $\times 20$, $\times 40$, and $\times 33$ with SECEDED enabled
- Multi-bit-upset mitigation
- Synchronous operation
- Independent port clocks
- Byte enables
- Registered inputs
- Output registers with separate enables and synchronous resets
- Read enables to conserve power while retaining output data
- Power switch to minimize static power when the LSRAM is not used
- Fast zeroization mode

5.4.3.1. Dual-Port Mode [\(Ask a Question\)](#)

In dual-port mode, the width of both ports is less than 33 and the ports are independent of each other. The write and read operations can occur independently of each other, at any location. On write collisions, while the write operations occur correctly, the read operations can return ambiguous results while the write completes. After completing the write operation, the read data reads the newly written write data correctly.

5.4.3.2. Two-Port Mode [\(Ask a Question\)](#)

In two-port mode, at least one port has a width of 32 or 40 (or 33 with SECEDED). Port A is dedicated for reads and port B is dedicated for writes.

The following illustration shows port widths in various modes.

Figure 5-5. LSRAM Dual- and Two-Port Configurations

		Port A Width					
Port B Width	x1/x1	x1/x2	x1/x4	x1/x8	x1/x16	W1/R32	N/A
	x2/x1	x2/x2	x2/x4	x2/x8	x2/x16	W2/R32	N/A
	x4/x1	x4/x2	x5/x5	x5/x10	x5/x20	W5/R40	N/A
	x8/x1	x8/x2	x10/x5	x10/x5	x10/x20	W10/R40	N/A
	x16/x1	x16/x2	x20/x5	x20/x10	x20/x20	W20/R40	N/A
	W32/R1	W32/R2	W40/R5	W40/R10	W40/R20	W40/R40	N/A
	N/A	N/A	N/A	N/A	N/A	N/A	Wx33/R33

Dual Port
Two Port
Two Port SECEDED

5.4.4. **μSRAM** [\(Ask a Question\)](#)

The μSRAM is a two-port memory embedded in the FPGA fabric, which is provided for an efficient low-power implementation for small buffers. On write collisions, the write operations occur correctly, while the read operations can return ambiguous results while the write completes. After completing the write operation, the read data reads the newly written write data.

The following are key features of the μSRAM block:

- 480 MHz operation
- Two-port memory with 64 words of 12 bits
- The write port operates synchronously
- The write port has a fixed width
- The read port operates asynchronously and supports synchronous and pipeline operations with the FPGA fabric flip-flops
- The Libero SoC Design Suite provides automated combining and cascading for larger memories
- Multiple memory blocks can be combined to extend the depth or width
- Provides a state-keeping, low-power suspend mode
- Implemented as an array of latches

5.4.5. **μPROM** [\(Ask a Question\)](#)

The μPROM is a single monolithic non-volatile memory that provides a PROM-like storage for a variety of purposes, including initialization data for other memories, user calibration data, and so on. The memory cells are constructed from the FPGA configuration cells and are updated when the device is programmed.

The following are key features of the μPROM:

- 10 ns read access time
- Programmed with the FPGA bitstream
- Asynchronous or synchronous read access mode from the FPGA fabric

5.4.6. sNVM [\(Ask a Question\)](#)

Each PolarFire SoC FPGA has 56 KB of sNVM. The sNVM is organized into 221 pages of 236 bytes or 252 bytes, depending on whether the data is stored as plain text or encrypted/authenticated data. It is accessible to users through system services calls to the PolarFire SoC FPGA system controller. Pages within the sNVM can be marked as ROM during bitstream programming. The sNVM content can be used to initialize LSRAM and μ SRAMs with secure data. The sNVM is only accessible through system service calls. Data written to the sNVM can be protected by the PUF. The sNVM can be used to store user secure boot code for the microprocessor subsystem and encryption keys.

5.4.7. Math Block [\(Ask a Question\)](#)

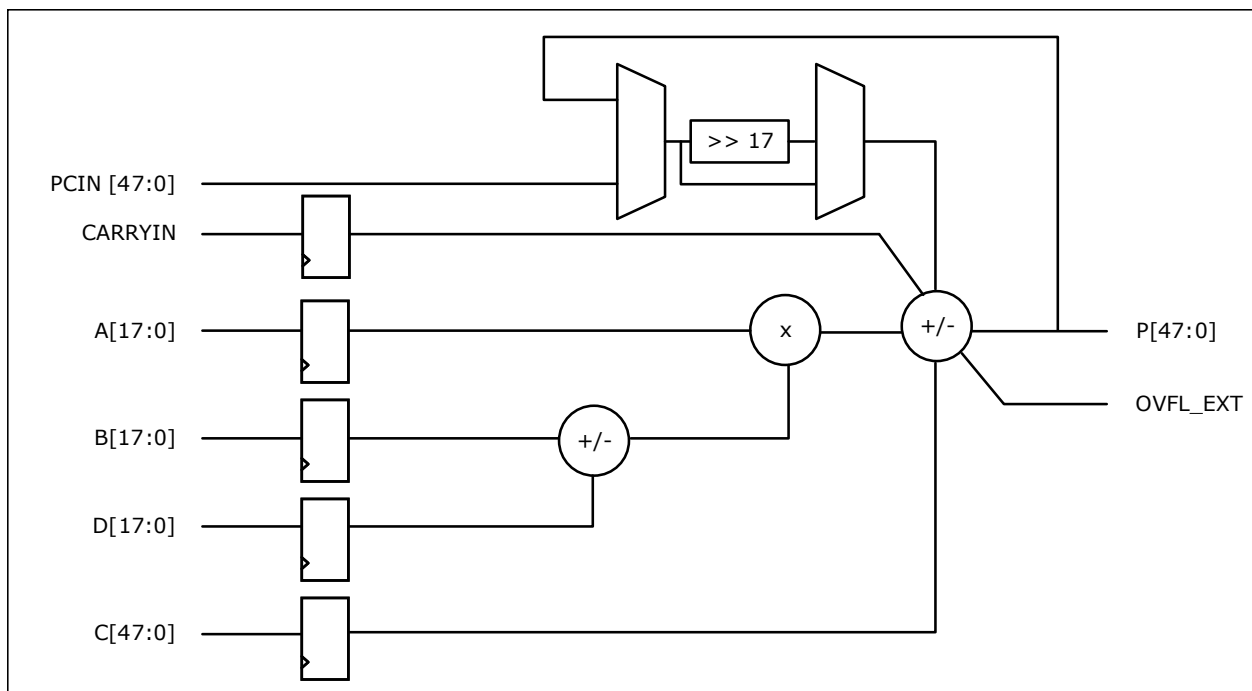
The fundamental building block in any digital signal processing algorithm is the multiply-accumulate (MACC) operation. PolarFire SoC FPGAs implement a custom 18 x 18 MACC block for an efficient, low-power implementation of complex DSP algorithms such as finite impulse response (FIR) filters, infinite impulse response (IIR) filters, and fast Fourier transform (FFT) for filtering and image processing applications. An optional 16-word coefficient ROM can be constructed from logic elements located near the math block.

The following are key features of the math block functionality:

- 500 MHz operation
- 18 x 18 two's complement multiplier accumulator with an output width of 48 bits
- Power-saving pre-adder to optimize linear phase FIR filter applications and reduce the math block usage
- Optional pipelining and dedicated buses for cascading
- Dot-product mode for complex multiplies

The following illustration shows the functional blocks of the math block.

Figure 5-6. Math Block



5.5. PCI Express (Not Applicable to PolarFire SoC Core Devices) [\(Ask a Question\)](#)

Each PolarFire SoC FPGA integrates two low-power, built-in PCIe Gen2 controllers, allowing seamless and easy connectivity to one or more host processors. The two PCIe controllers are shared across two quads. For more detail, see [UG0920: PolarFire SoC FPGA PCI Express User Guide](#).

5.5.1. PCI Express Features [\(Ask a Question\)](#)

The following are PCIe features.

- ×1, ×2, and ×4 lane support
- Suitable for root port, native endpoint
- PCI Express base specification revision 2.0 and 1.1 compliant
- AXI4 master and slave interfaces to the FPGA fabric
- Single function capability
- Advanced error reporting (AER) support
- Integrated clock domain crossing (CDC) to support user-selected AXI4 frequency
- Lane reversal support
- Legacy PCI power management support
- Native active state power management L0s and L1 state support
- Power management event (PME message)
- MSI and legacy INT message support
- Latency tolerance reporting (LTR)
- L1 PM sub-states with CLKREQ
- Address translation tables between the PCIe and AXI4 domains

5.5.2. PCI Express DMA Engines [\(Ask a Question\)](#)

Each PCIe controller supports the following built-in DMA modes, enabling low-power and efficient data transfer into the FPGA fabric.

- Two DMA channels
- Eight outstanding read and write requests
- Completion reordering support
- Flexible scatter-gather DMA modes, including dynamic DMA control per descriptor
- Optional DMA engine reporting to the descriptor to ease software management
- Fetching of up to three descriptors to optimize throughput

6. System Controller [\(Ask a Question\)](#)

The PolarFire SoC FPGA system controller is based on the industry-standard ARM Cortex-M3 and is used for FPGA power-up, secure DPA-safe FPGA programming, and executing and responding to system services. All internal memories are SECDED-protected with background scrubbing capabilities to remove single-bit errors.

6.1. System Services [\(Ask a Question\)](#)

System services provide the user with information about the state of the FPGA and allow the user to request the system controller to perform predefined functions using a standard Application Programming Interface (API).

The system services are listed as follows.

Design Services

- Initialize fabric RAM
- Bitstream authentication
- IAP image authentication

Device Services

- Serial number
- JTAG user code
- Design version number
- Device certificate

Data Services

- sNVM read/write
- PUF emulation service
- Nonce service

FPGA Fabric Services

- Digest check
- In-application programming

6.2. Programming [\(Ask a Question\)](#)

PolarFire SoC FPGAs have multiple programming modes designed to enable various use models. All bitstreams are always encrypted and DPA safe. Each PolarFire SoC FPGA can be programmed using a dedicated SPI peripheral and JTAG port. All PolarFire SoC FPGAs are typically reprogrammed in less than 60 seconds. For device specific programming timings, see the PolarFire SoC FPGA Datasheet.

The following programming modes are supported:

Slave Programming

- JTAG
- Slave SPI—an external SPI master programs the FPGA

SPI Master Programming—In-Application Programming (IAP)

- Auto update feature—the system controller on power-up checks for a new bitstream in an external SPI flash and programs the FPGA.
- Auto programming feature—on a blank device, the system controller on power-up checks for a bitstream in an external SPI flash and programs the FPGA.

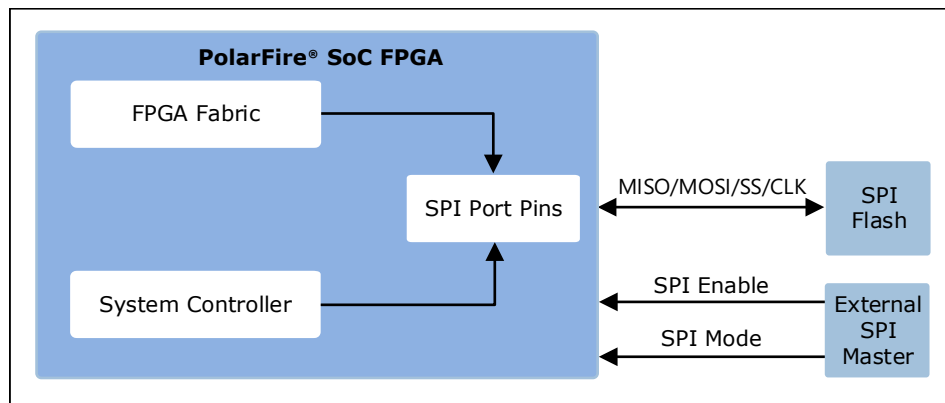
- Programming recovery feature—if remote programming fails due to a power interruption, the system controller reprograms the FPGA on the next power-up cycle from a golden bitstream (located in an external SPI flash).

6.2.1. Dedicated SPI Programming Port [\(Ask a Question\)](#)

To facilitate the use of various programming modes, PolarFire SoC FPGAs share dedicated SPI port pins between the system controller and user logic embedded in the FPGA. User logic must instantiate the User SPI macro to gain access to the pins from their design. The SPI port pins can be used as a master or slave programming port based on the signal level on the dedicated SPI mode pin. The dedicated SPI Enable pin also allows an external SPI master to program the on-board SPI flash without an external MUX by tri-stating the SPI MOSI/MISO/SS/CLK pins on the PolarFire SoC FPGA.

The following illustration shows the SPI port facilitating the use of various programming modes.

Figure 6-1. SPI Programming Port



7. Low Power [\(Ask a Question\)](#)

PolarFire SoC FPGAs offer a variety of techniques and capabilities to lower the total application power. Users can take advantage of these features to lower both capital and operational expenditures with smaller or no heat sinks, smaller or fewer fans, lower cooling costs, and so on. Additionally, the lower total power advantage can also allow the user to pack more compute operations into an existing thermal budget.

7.1. Non-Volatile Technology [\(Ask a Question\)](#)

Using a non-volatile complementary metal-oxide semiconductor (CMOS) technology for the FPGA configuration cells offers several power advantages over SRAM FPGA technology.

- A non-volatile switch uses lower power than a SRAM switch, leading to lower static power consumption.
- The FPGA fabric retains the configurations at power down.
 - No SRAM configuration in-rush currents
 - No external configuration component is needed

7.2. Lower Power "L" Devices [\(Ask a Question\)](#)

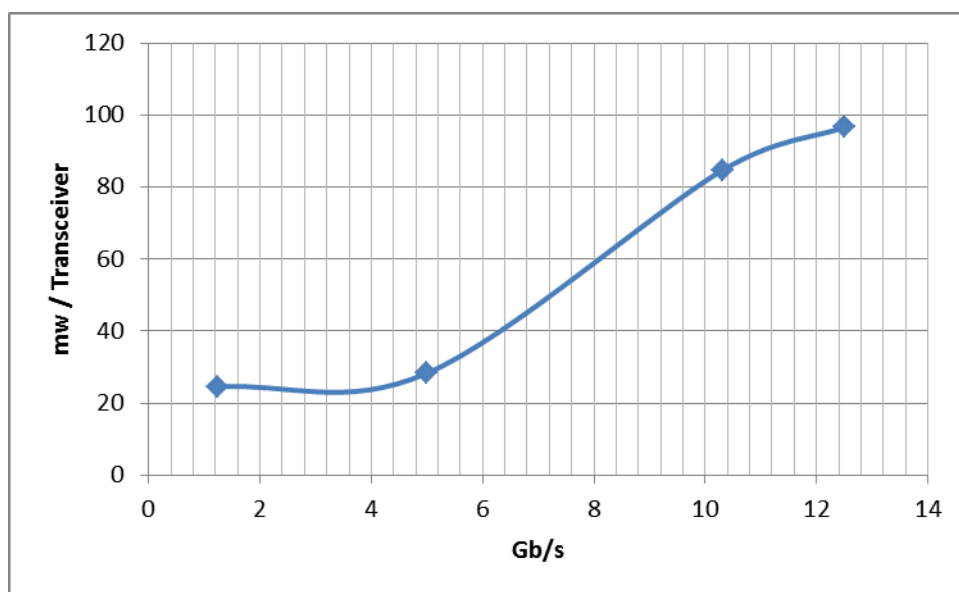
Low power (L) devices provide up to 35 percent lower static power with identical electrical specifications to the STD speed grade device. L devices can be ordered as described in the section [Ordering Information](#).

7.3. Low-Power Transceiver Lane (Not Applicable to PolarFire SoC Core Devices) [\(Ask a Question\)](#)

PolarFire SoC FPGAs' low-power capability is also extended to the industry's most power efficient transceiver lane, enabling 10GBASE-KR applications at less than 100 mW of power per lane. The transceiver lane has comprehensive power-down controls to optimize power consumption, including programmable amplitude and edge rate control.

The following illustration shows the connection between transceiver power and data rate.

Figure 7-1. Transceiver Power versus Data Rate



8. Reliability [\(Ask a Question\)](#)

Microchip continues to offer the industry's most reliable FPGAs for your mission and safety critical applications.

8.1. FPGA Fabric [\(Ask a Question\)](#)

PolarFire SoC FPGA configuration cells are inherently immune to SEUs caused by neutrons. Contrary to popular belief, shielding does not prevent a neutron from passing through an electronic system or electronic device. As semiconductor device geometry shrinks to smaller lithography, the problem of MBUs starts appearing. SRAM FPGA scrubbing techniques might be inadequate in these circumstances and while scrubbing may help, an important point is that scrubbing detects an error after the fact. The error has already occurred and propagated throughout the system. The configuration of the PolarFire SoC FPGA fabric provides worry-free operation against random events caused by SEUs.

8.2. LSRAM [\(Ask a Question\)](#)

LSRAMs have built-in SECEDED capability on a 32-bit word boundary. Seven additional bits are used for error correction. Two flags are provided to the user to indicate SECEDED. Mitigation against multi-bit upsets is provided by keeping all cells in a word separated by a minimum distance. Applications that require scrubbing need to be accomplished with user logic. The error correction logic can be turned ON and OFF by the user to enable easy validation of the error correction operation.

8.3. μ SRAM [\(Ask a Question\)](#)

The 64×12 μ SRAMs are constructed from latches and are not as sensitive to SEUs as SRAMs are.

8.4. Digests [\(Ask a Question\)](#)

Digests verify the integrity of the programmed non-volatile data. Digests are a cryptographic hash of various data areas. Any digest that reports back an error raises the digest tamper flag.

The following are digestible non-volatile areas:

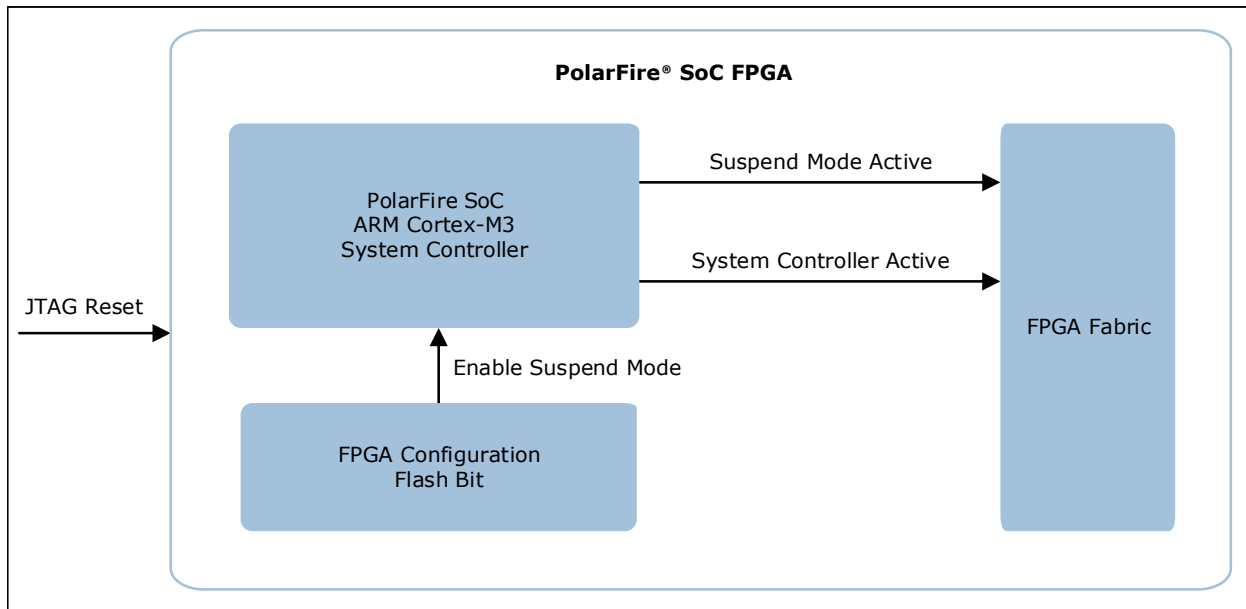
- The FPGA fabric and consequently the μ PROM
- sNVM marked as ROM
- User key 1
- User key 2
- Factory parametric and key storage
- 128 KB eNVM block

8.5. System Controller Suspend Mode [\(Ask a Question\)](#)

For safety critical applications, PolarFire SoC FPGAs allow the user to place the Cortex-M3-based system controller in a reset state after the FPGA has powered up. By programming an SEU configuration non-volatile bit, the system controller is placed in reset by a TMRed SEU immune reset latch after FPGA power-up. User logic can monitor if the suspend mode command is active and if the system controller cannot fetch instructions while in the reset state. The FPGA can be re-programmed after disabling the suspend mode by asserting the appropriate JTAG signals. The JTAG TRSTB signal must be asserted low for suspend mode to remain active.

The following illustration shows how to activate and deactivate suspend mode.

Figure 8-1. System Controller Suspend Mode



9. Security [\(Ask a Question\)](#)

Microchip's PolarFire FPGA and PolarFire SoC FPGAs implement layered security and represent the industry's most advanced and secure programmable FPGAs. Users may choose devices based on the level of security needed in their applications.

9.1. Hardware Security [\(Ask a Question\)](#)

Security considerations for an electronic system start from wafer manufacturing and continue all the way through to deployed end products. The following features provide state-of-the-art supply chain assurance in all PolarFire FPGA and PolarFire SoC FPGA devices:

- Secure supply chain management using Hardware Security Modules (HSMs) during wafer testing and packaging
- Supply chain assurance using a 768-byte digitally signed x.509 FPGA certificate embedded in every FPGA/SoC FPGA
- Microchip's Secure Production Programming Solution (SPPS) extends the secure supply chain to the customer's manufacturing flow

9.2. Design Security [\(Ask a Question\)](#)

The following features are available in all PolarFire FPGAs and SoC FPGAs.

- CRI patent-protected DPA countermeasures, AES-256 encrypted bitstream, and key management protocols
- Built-in tamper detection using voltage monitors, temperature monitors, clock glitch detectors, frequency monitors, JTAG active detectors, and protective meshes
Programmable tamper responses like disabling specific I/Os, security lockdown, reset, and zeroization
- Zeroization capabilities for all on-chip memories and the FPGA fabric
- Random number generation with Physically Unclonable Function (PUF) as the source of entropy

The following features are available in select devices (referred to as "S" devices with "TS"/"TLS" in the part number).

- Root of trust implementation: digital signature service to sign user-supplied SHA-384 hash
- Read and write authenticated plain text and cipher text to secure non-volatile memory
- PUF emulation for device authentication or pseudo-random bit string generation
- Nonce service provides an alternate source of entropy using the SRAM-PUF

9.2.1. Embedded Security (only PolarFire SoC FPGA) [\(Ask a Question\)](#)

PolarFire SoC FPGAs are available with two secure boot options:

- Factory secure boot mode: Authenticates the Hart Software Services (HSS) in the eNVM before executing it.
- User secure boot mode: Enables custom secure boot code implementations on the secure non-volatile memory (sNVM).

9.3. Data Security (Only "S" Devices) [\(Ask a Question\)](#)

Select PolarFire FPGAs and PolarFire SoC FPGAs ("S" devices with "TS"/"TLS" in the part number) include a TeraFire EXP-F5200B cryptographic co-processor that enables high-speed DPA-safe cryptographic protocols at wire-line speeds. These data security features include:

- Integrated true random number generator for modern cryptographic protocols at greater than 100 Mbps

- 189 MHz Athena TeraFire 5200B DPA-safe Crypto Coprocessor capable of implementing Suite-B+ algorithms
- CRI DPA pass-through licensing enables DPA-safe high-speed cryptographic designs in the FPGA fabric (a CRI license is included in the purchase price of the “S” device, so there is no need to negotiate a separate license)
- NIST-certified protocols

The following are TeraFire EXP-F5200B supported protocols/features:

- TRNG (integrated): SP800-90A CTR_DRBG-256, and SP800-90B(draft) NRBG
- AES-128/192/256 E/D (ECB, CBC, CTR, OFB, CFB, CCM, GCM, KeyWrap)
- SHA-1/224/256/384/512
- HMAC-SHA-256/384/512; GMAC; CMAC
- SHA-256 Key Tree
- ECC-NIST P192/224/256/384/521 and Brainpool P256/384/512 curves with: KAS-ECC CDH; ECDSASigGen, SigVer, PKG, and PKV
- FFC: 1024/1536/2048/3072/4096-bits with: DSA SigGen and SigVer; and KAS-DH
- IFC: 1024/1536/2048/3072/4096/8192-bits with RSA E/D; SSA_PKCS1_V1_5 SigGen and SigVer; and ANSI X9.31 SigGen and SigVer

A typical use model of the TeraFire F5200B Crypto Coprocessor in PolarFire FPGAs would need a RISC-V soft-CPU to be instantiated for command and control, including fetching keys from the system controller, initializing the Athena Core, and setting up DMA to perform the desired functions. In PolarFire SoC FPGA, the user may command and control the crypto core from the microprocessor subsystem. A complete firmware driver library is available for all the supported protocols.

9.4. Security Features and System Services Summary [\(Ask a Question\)](#)

The following tables summarize the security features and system services.

Table 9-1. Security Features Summary

Feature		PolarFire SoC FPGA	
		Non-S	S
Hardware Security	Supply chain assurance	Available	Available
	Anti-cloning protection	Available	Available
	Device integrity protection	Available	Available
	Hardware Access control with passcodes and security locks	Available	Available
Design Security	Key management	Available	Available
	Encrypted bitstream	Available	Available
	Bitstream versioning	Available	Available
	Digest for data integrity	Available	Available
	Tamper Monitoring on JTAG, Voltage, Temperature, clock glitch, clock frequency, Mesh	Available	Available
Embedded Security	Secure Boot	Available	Available
	Physical Memory Protection	Available	Available
	Memory Protection Unit	Available	Available

Table 9-1. Security Features Summary (continued)

Feature		PolarFire SoC FPGA	
		Non-S	S
Data Security	User Cryptoprocessor and NRBG	NA	Available
	DPA protection CRI pass-through license	NA	Available
	Digital Signature Service	NA	Available
	Secure NVM Write	plaintext only	Plaintext, authenticated plaintext, authenticated ciphertext
	Secure NVM Read	plaintext only	Plaintext, authenticated plaintext, authenticated ciphertext
	PUF Emulation	NA	Available
	Nonce Service	Entropy from PUF	Entropy from PUF + Device unique key

Table 9-2. System Services Summary

System Services		PolarFire SoC FPGA	
		Non-S	S
Device and Design Information Services	Serial Number Service	Available	Available
	Usercode Service	Available	Available
	Design Information service	Available	Available
	Device Certificate Service	Available	Available
	Read Digest Service	Available	Available
	Query Security Service	Available	Available
	Read Debug Information Service	Available	Available
	Read eNVM Parameters Service	Available	Available
Design Programming Services	Bitstream Authentication Service	Available	Available
	IAP Image Authentication Service	Available	Available
Fabric Services	Digest Check Service	Available	Available
	In-Application Programming Service	Available	Available
	Auto Update Service	Available	Available

Table 9-2. System Services Summary (continued)

System Services		PolarFire SoC FPGA	
		Non-S	S
Debug Services	Probe Read Debug Service	Available	Available
	Proge Write Debug Service	Available	Available
	Live Probe Debug Service	Available	Available
	MEM Select Debug Service	Available	Available
	MEM Read Debug Service	Available	Available
	MEM Write Debug Service	Available	Available
	APB Read Debug Service	Available	Available
	APB Write Debug Service	Available	Available
	Debug Snapshot Service	Available	Available
	Terminate Debug Service	Available	Available
Passcode Services	Generate OTP Service	Available	Available
	Match OTP Service	Available	Available
	Unlock Debug Passcode Service	Available	Available
	One Way Passcode Service	Available	Available
SPI Flash Memory Read Service	SPI Copy Service	Available	Available

10. PolarFire SoC Device Offerings [\(Ask a Question\)](#)

PolarFire SoC FPGAs offer low-power transceiver design security and low-power data security. All PolarFire SoC devices are integrated with multi-protocol industry-leading low-power transceivers. Low power (L) devices provide up to 35 percent lower static power.

The following table lists the extended commercial and industrial PolarFire SoC offerings using the MPFS250T as an example. The MPFS025T, MPFS095T, MPFS160T, and MPFS460T device densities have identical offerings. Temperatures listed are junction temperatures. The complete list of device orderings in extended commercial, industrial, military, and automotive T2 offerings are available in [Appendix: Device Offering](#).

Table 10-1. PolarFire SoC Offerings

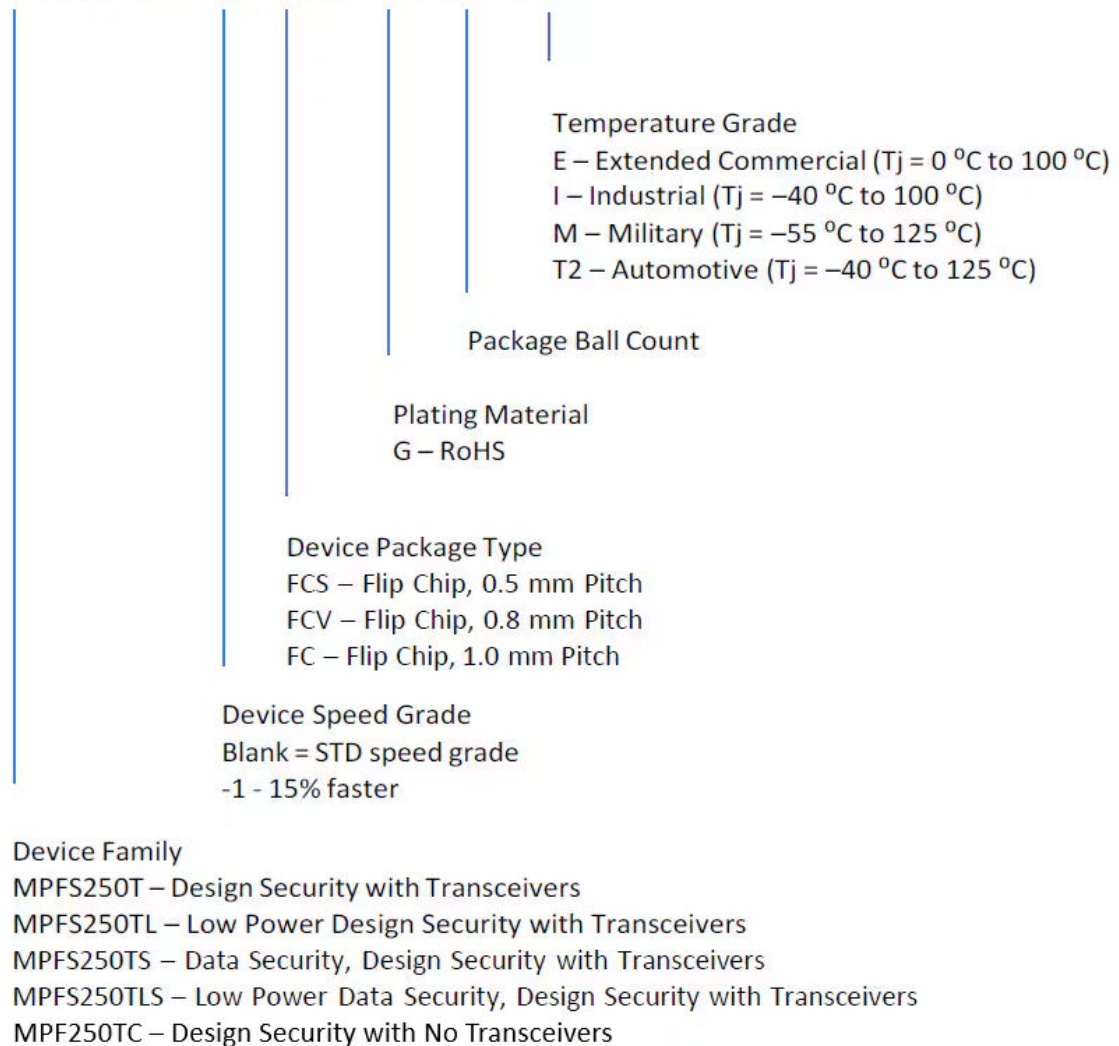
Device Options	Extended Commercial Temperature (E) 0 °C–100 °C	Industrial Temperature (I) –40 °C–100 °C	STD Speed Grade	–1 Speed Grade	Lower Static Power (L)	Data Security (S)
MPFS250T	Yes	Yes	Yes	Yes	—	—
MPFS250TL	Yes	Yes	Yes	—	Yes	—
MPFS250TS	—	Yes	Yes	Yes	—	Yes
MPFS250TLS	—	Yes	Yes	—	Yes	Yes
MPFS250TC	Yes	Yes	Yes	—	—	—

11. Ordering Information [\(Ask a Question\)](#)

PolarFire SoCs are offered with multiple speed grades, temperatures, and package combinations. All temperatures are specified as junction temperatures. The following illustration shows the ordering information.

Figure 11-1. Ordering Information

MPFS250T – 1 FCV G 484 I



11.1. Export Classification [\(Ask a Question\)](#)

The export control classification numbers (ECCN) of PolarFire SoC FPGA devices are available at www.microchip.com/exportcontroldata.

12. Appendix: Device Offering [\(Ask a Question\)](#)

The devices offered in PolarFire SoC FPGAs are listed below.

Table 12-1. PolarFire SoC FPGA Extended Commercial and Industrial Temperature Offerings

MPFS025T-1FCSG325E	MPFS095TLS-FCSG325I	MPFS250T-1FCSG536I
MPFS025T-1FCSG325I	MPFS095TLS-FCSG536I	MPFS250T-1FCVG484E
MPFS025T-1FCVG484E	MPFS095TLS-FCVG484I	MPFS250T-1FCVG484I
MPFS025T-1FCVG484I	MPFS095TLS-FCVG784I	MPFS250T-1FCVG784E
MPFS025T-FCSG325E	MPFS095TS-1FCSG325I	MPFS250T-1FCVG784I
MPFS025T-FCSG325I	MPFS095TS-1FCSG536I	MPFS250T-FCG1152E
MPFS025T-FCVG484E	MPFS095TS-1FCVG484I	MPFS250T-FCG1152I
MPFS025T-FCVG484I	MPFS095TS-1FCVG784I	MPFS250T-FCSG536E
MPFS025TL-FCSG325E	MPFS095TS-FCSG325I	MPFS250T-FCSG536I
MPFS025TL-FCSG325I	MPFS095TS-FCSG536I	MPFS250T-FCVG484E
MPFS025TL-FCVG484E	MPFS095TS-FCVG484I	MPFS250T-FCVG484I
MPFS025TL-FCVG484I	MPFS095TS-FCVG784I	MPFS250T-FCVG784E
MPFS025TLS-FCSG325I	MPFS160T-1FCSG536E	MPFS250T-FCVG784I
MPFS025TLS-FCVG484I	MPFS160T-1FCSG536I	MPFS250TL-FCG1152E
MPFS025TS-1FCSG325I	MPFS160T-1FCVG484E	MPFS250TL-FCG1152I
MPFS025TS-1FCVG484I	MPFS160T-1FCVG484I	MPFS250TL-FCSG536E
MPFS025TS-FCSG325I	MPFS160T-1FCVG784E	MPFS250TL-FCSG536I
MPFS025TS-FCVG484I	MPFS160T-1FCVG784I	MPFS250TL-FCVG484E
MPFS095T-1FCSG325E	MPFS160T-FCSG536E	MPFS250TL-FCVG484I
MPFS095T-1FCSG325I	MPFS160T-FCSG536I	MPFS250TL-FCVG784E
MPFS095T-1FCSG536E	MPFS160T-FCVG484E	MPFS250TL-FCVG784I
MPFS095T-1FCSG536I	MPFS160T-FCVG484I	MPFS250TLS-FCG1152I
MPFS095T-1FCVG484E	MPFS160T-FCVG784E	MPFS250TLS-FCSG536I
MPFS095T-1FCVG484I	MPFS160T-FCVG784I	MPFS250TLS-FCVG484I
MPFS095T-1FCVG784E	MPFS160TL-FCSG536E	MPFS250TLS-FCVG784I
MPFS095T-1FCVG784I	MPFS160TL-FCSG536I	MPFS250TS-1FCG1152I
MPFS095T-FCSG325E	MPFS160TL-FCVG484E	MPFS250TS-1FCSG536I
MPFS095T-FCSG325I	MPFS160TL-FCVG484I	MPFS250TS-1FCVG484I
MPFS095T-FCSG536E	MPFS160TL-FCVG784E	MPFS250TS-1FCVG784I
MPFS095T-FCSG536I	MPFS160TL-FCVG784I	MPFS250TS-FCG1152I
MPFS095T-FCVG484E	MPFS160TLS-FCSG536I	MPFS250TS-FCSG536I
MPFS095T-FCVG484I	MPFS160TLS-FCVG484I	MPFS250TS-FCVG484I
MPFS095T-FCVG784E	MPFS160TLS-FCVG784I	MPFS250TS-FCVG784I
MPFS095T-FCVG784I	MPFS160TS-1FCSG536I	MPFS460T-1FCG1152E
MPFS095TL-FCSG325E	MPFS160TS-1FCVG484I	MPFS460T-1FCG1152I
MPFS095TL-FCSG325I	MPFS160TS-1FCVG784I	MPFS460T-FCG1152E
MPFS095TL-FCSG536E	MPFS160TS-FCSG536I	MPFS460T-FCG1152I
MPFS095TL-FCSG536I	MPFS160TS-FCVG484I	MPFS460TL-FCG1152E
MPFS095TL-FCVG484E	MPFS160TS-FCVG784I	MPFS460TL-FCG1152I
MPFS095TL-FCVG484I	MPFS250T-1FCG1152E	MPFS460TLS-FCG1152I
MPFS095TL-FCVG784E	MPFS250T-1FCG1152I	MPFS460TS-1FCG1152I
MPFS095TL-FCVG784I	MPFS250T-1FCSG536E	MPFS460TS-FCG1152I

Table 12-2. PolarFire SoC Core FPGA Extended Commercial and Industrial Temperature Offerings

MPFS025TC-FCSG325E	MPFS095TC-FCVG784E	MPFS250TC-FCSG536E
MPFS025TC-FCSG325I	MPFS095TC-FCVG784I	MPFS250TC-FCSG536I
MPFS025TC-FCVG484E	MPFS160TC-FCSG536E	MPFS250TC-FCVG484E
MPFS025TC-FCVG484I	MPFS160TC-FCSG536I	MPFS250TC-FCVG484I
MPFS095TC-FCSG325E	MPFS160TC-FCVG484E	MPFS250TC-FCVG784E
MPFS095TC-FCSG325I	MPFS160TC-FCVG484I	MPFS250TC-FCVG784I
MPFS095TC-FCSG536E	MPFS160TC-FCVG784E	MPFS460TC-FCG1152E
MPFS095TC-FCSG536I	MPFS160TC-FCVG784I	MPFS460TC-FCG1152I
MPFS095TC-FCVG484E	MPFS250TC-FCG1152E	—
MPFS095TC-FCVG484I	MPFS250TC-FCG1152I	—

Table 12-3. PolarFire SoC FPGA Military Temperature Offerings

The PolarFire SoC FPGA military temperature devices are offered with data security "S", STD speed grade and in leaded package.

MPFS095TS-FCS325M	MPFS250TS-FCS536M	MPFS250TS-FC1152M
MPFS250TS-FCV484M	MPFS250TS-FCV784M	MPFS460TS-FC1152M

Table 12-4. PolarFire SoC FPGA Automotive AECQ-100 (T2) Offerings

MPFS025T-1FCSG325T2	MPFS095T-FCSG536T2	MPFS250T-1FCVG484T2
MPFS025T-1FCVG484T2	MPFS095T-FCVG484T2	MPFS250T-1FCVG784T2
MPFS025T-FCSG325T2	MPFS095T-FCVG784T2	MPFS250T-FCSG536T2
MPFS025T-FCVG484T2	MPFS160T-1FCSG536T2	MPFS250T-FCVG484T2
MPFS025TS-FCSG325T2	MPFS160T-1FCVG484T2	MPFS250T-FCVG784T2
MPFS095T-1FCSG325T2	MPFS160T-1FCVG784T2	MPFS250T-FCG1152T2
MPFS095T-1FCSG536T2	MPFS160T-FCSG536T2	MPFS250T-1FCG1152T2
MPFS095T-1FCVG484T2	MPFS160T-FCVG484T2	MPFS250TS-1FCG1152T2
MPFS095T-1FCVG784T2	MPFS160TS-1FCVG484T2	MPFS250TS-1FCVG484T2
MPFS095TS-1FCVG484T2	MPFS160TS-1FCVG784T2	MPFS250TS-1FCVG784T2
MPFS095TS-1FCVG784T2	MPFS160TS-FCVG484T2	MPFS250TS-FCG1152T2
MPFS095TS-FCVG484T2	MPFS160TS-FCVG784T2	MPFS250TS-FCVG484T2
MPFS095TS-FCVG784T2	MPFS160T-FCVG784T2	MPFS250TS-FCVG784T2
MPFS095T-FCSG325T2	MPFS250T-1FCSG536T2	—

Table 12-5. PolarFire SoC Core FPGA Automotive AECQ-100 (T2) Offerings

MPFS025TC-FCSG325T2	MPFS095TC-FCVG784T2	MPFS250TC-FCSG536T2
MPFS025TC-FCVG484T2	MPFS160TC-FCSG536T2	MPFS250TC-FCVG484T2
MPFS095TC-FCSG325T2	MPFS160TC-FCVG484T2	MPFS250TC-FCVG784T2
MPFS095TC-FCSG536T2	MPFS160TC-FCVG784T2	—
MPFS095TC-FCVG484T2	MPFS250TC-FCG1152T2	—

13. Revision History [\(Ask a Question\)](#)

Revision	Date	Description
K	05/2025	<ul style="list-style-type: none"> Updated Block Diagram.
J	05/2025	<ul style="list-style-type: none"> Added PolarFire SoC core information to Overview. Updated Block Diagram. Added Note 5 to Product Family Table. Added MPFS250TC to PolarFire SoC Device Offerings and Ordering Information. Added new devices to respective temperature grade tables under Appendix: Device Offering.
H	06/2024	<ul style="list-style-type: none"> Added note about fabric DDR interface in FCSG325 package under Product Family Table. A complete list of devices offered is in Appendix: Device Offering. Included military and Automotive T2 devices in Ordering Information.
G	12/2023	<ul style="list-style-type: none"> Replaced references to ECCN with a weblink that has the latest information.
F	08/2023	<ul style="list-style-type: none"> Added more feature details in the section Security. Added Military and Automotive devices offering in PolarFire SoC Device Offerings and Product Family Table.
E	08/2022	<ul style="list-style-type: none"> Added export classification information for military-grade devices to section PolarFire SoC Device Offerings.
D	06/2022	<ul style="list-style-type: none"> Corrected number of breakpoints from “ten per core” to “ten” total in the section Microprocessor Subsystem Features. Corrected the GPIO# for MPFS095T in FCVG484 package in Table 2-1. PolarFire SoC Product Family. Added detail about the DDR bus width for the FCSG325 package for MPFS025T and MPFS095T in Table 2-1. PolarFire SoC Product Family.
C	07/2021	<ul style="list-style-type: none"> Added RV64GC and RV64IMAC nomenclature. Added footnote on power domains. Corrected the GPIO# for FCG1152 package. Removed references to the deprecated document UG0880 and added references to PolarFire SoC MSS Technical Reference Manual.
B	02/2021	<ul style="list-style-type: none"> Updated feature descriptions throughout the entire document, notably adding sections for the PolarFire SoC Icicle Kit, Mi-V Ecosystem, PolarFire SoC MSS Configurator, Hart Software Services (HSS), and Lower Power "L" Devices. Included MPFS250TS and MPFS250TLS devices in PolarFire SoC Device Offerings. Updated Coremarks/MHz and DMIPS/MHz in Microprocessor Subsystem Features. Corrected LSRAM size from 20 Kbytes to 20 Kb. Added Figure 3-2. AXI Switch Connectivity. Added description of MSSIO in Processor I/O. Removed PCIe lane assignment information and deferred to PCIe user guide. Added Table 9-2. Export Classification.
A	09/2020	In Revision A, the document was updated to Microchip template.
1.0	12/2019	This is the initial release of this document.

Microchip Information

Trademarks

The “Microchip” name and logo, the “M” logo, and other names, logos, and brands are registered and unregistered trademarks of Microchip Technology Incorporated or its affiliates and/or subsidiaries in the United States and/or other countries (“Microchip Trademarks”). Information regarding Microchip Trademarks can be found at <https://www.microchip.com/en-us/about/legal-information/microchip-trademarks>.

ISBN: 979-8-3371-1273-2

Legal Notice

This publication and the information herein may be used only with Microchip products, including to design, test, and integrate Microchip products with your application. Use of this information in any other manner violates these terms. Information regarding device applications is provided only for your convenience and may be superseded by updates. It is your responsibility to ensure that your application meets with your specifications. Contact your local Microchip sales office for additional support or, obtain additional support at www.microchip.com/en-us/support/design-help/client-support-services.

THIS INFORMATION IS PROVIDED BY MICROCHIP “AS IS”. MICROCHIP MAKES NO REPRESENTATIONS OR WARRANTIES OF ANY KIND WHETHER EXPRESS OR IMPLIED, WRITTEN OR ORAL, STATUTORY OR OTHERWISE, RELATED TO THE INFORMATION INCLUDING BUT NOT LIMITED TO ANY IMPLIED WARRANTIES OF NON-INFRINGEMENT, MERCHANTABILITY, AND FITNESS FOR A PARTICULAR PURPOSE, OR WARRANTIES RELATED TO ITS CONDITION, QUALITY, OR PERFORMANCE.

IN NO EVENT WILL MICROCHIP BE LIABLE FOR ANY INDIRECT, SPECIAL, PUNITIVE, INCIDENTAL, OR CONSEQUENTIAL LOSS, DAMAGE, COST, OR EXPENSE OF ANY KIND WHATSOEVER RELATED TO THE INFORMATION OR ITS USE, HOWEVER CAUSED, EVEN IF MICROCHIP HAS BEEN ADVISED OF THE POSSIBILITY OR THE DAMAGES ARE FORESEEABLE. TO THE FULLEST EXTENT ALLOWED BY LAW, MICROCHIP’S TOTAL LIABILITY ON ALL CLAIMS IN ANY WAY RELATED TO THE INFORMATION OR ITS USE WILL NOT EXCEED THE AMOUNT OF FEES, IF ANY, THAT YOU HAVE PAID DIRECTLY TO MICROCHIP FOR THE INFORMATION.

Use of Microchip devices in life support and/or safety applications is entirely at the buyer’s risk, and the buyer agrees to defend, indemnify and hold harmless Microchip from any and all damages, claims, suits, or expenses resulting from such use. No licenses are conveyed, implicitly or otherwise, under any Microchip intellectual property rights unless otherwise stated.

Microchip Devices Code Protection Feature

Note the following details of the code protection feature on Microchip products:

- Microchip products meet the specifications contained in their particular Microchip Data Sheet.
- Microchip believes that its family of products is secure when used in the intended manner, within operating specifications, and under normal conditions.
- Microchip values and aggressively protects its intellectual property rights. Attempts to breach the code protection features of Microchip products are strictly prohibited and may violate the Digital Millennium Copyright Act.
- Neither Microchip nor any other semiconductor manufacturer can guarantee the security of its code. Code protection does not mean that we are guaranteeing the product is “unbreakable”. Code protection is constantly evolving. Microchip is committed to continuously improving the code protection features of our products.

Looking for pricing, stock, or lifecycle information?

Click below to explore more details on WIN SOURCE:

- ⊖ [View MPFS025T-1FCVG484E on WIN SOURCE](#)
- ⊖ [Microchip Technology](#) Information

Optimize Your Supply Chain with WIN SOURCE Solutions

- ✓ Global Sourcing Solution
- ✓ Obsolete Management
- ✓ Cost Control Management
- ✓ Shortage Management
- ✓ Alternative Solution
- ✓ Excess Inventory Management