

F0110

Dual Path Ultra-Low Noise Amplifier 1500MHz to 2300MHz

The F0110 is a dual-path 1500MHz to 2300MHz high gain/ultra-low noise amplifier used in receiver applications.

The F0110 LNA is operated as a *balanced amplifier* where the inputs and outputs are combined using external 90° couplers and provides 18dB of gain with 0.5dB noise figure and 39dBm OIP3 performance. The device uses a single 5V supply and 110mA typical of total I_{CC}.

The F0110 is packaged in a 4 × 4 mm, 16-VFQFPN with 50Ω single-ended RF input and output impedances for ease of integration into the signal path.

Competitive Advantage

- Ultra-low noise performance of 0.5dB over wide bandwidths improves receiver sensitivity
- High gain and linearity

Features

- RF range: 1500MHz to 2300MHz
 - F0109: 650MHz to 1000MHz
 - F0111: 2500MHz to 2700MHz
- 18dB typical gain at 1950MHz
- 0.5dB typical NF at 1950MHz
- +39dBm typical OIP3 at 1950MHz
- 50Ω single-ended input/output impedances
- +5V power supply
- I_{CC} = 55mA per channel
- Independent channel standby modes for power savings
- 1.8V logic standby control
- Operating temperature (TEP) range: -40°C to +105°C
- 4 × 4 mm, 16-VFQFPN package

Applications

- 3G, 4G, 5G wireless infrastructure
- Public safety infrastructure
- General-purpose RF

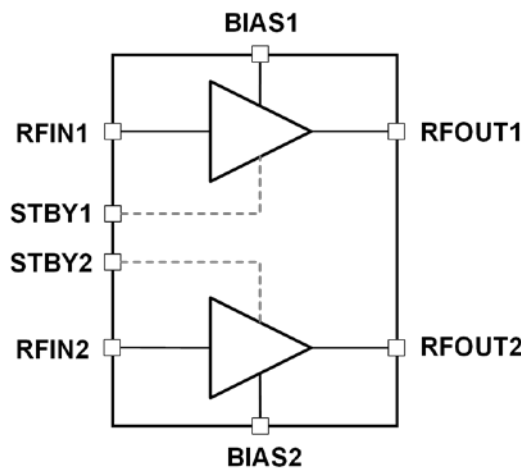


Figure 1. Block Diagram

Contents

1. Pin Information	4
1.1 Pin Assignments	4
1.2 Pin Descriptions	4
2. Specifications	5
2.1 Absolute Maximum Ratings	5
2.2 Recommended Operating Conditions	5
2.3 Electrical Specifications	6
2.3.1. General	6
2.3.2. RF (Balanced Configuration, 1.5GHz to 2.3GHz) Performance	6
2.4 Thermal Characteristics	7
3. Typical Operating Conditions (TOC)	7
3.1 Typical Performance Characteristics	8
4. Functional Description	9
4.1 Programming	9
4.2 STBY Mode Programming	9
5. Evaluation Kit Information	10
5.1 Picture	10
5.2 Evaluation Kit Schematic	11
5.3 Evaluation Kit Operation	12
5.3.1. Power Supply Setup	12
5.3.2. Power-On Procedure	12
5.3.3. Power-Off Procedure	12
6. Application Information	13
6.1 Power Supplies	13
6.2 Startup Condition	13
7. Package Outline Drawings	13
8. Ordering Information	13
9. Marking Diagram	14
10. Revision History	14

Figures

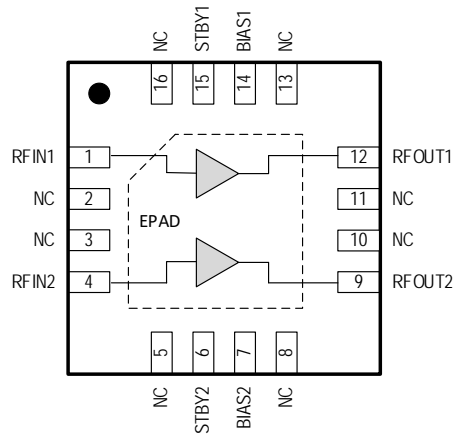
Figure 1. Block Diagram	1
Figure 2. Gain.....	8
Figure 3. STBY Mode Gain	8
Figure 4. Reverse Isolation.....	8
Figure 5. Input Return Loss.....	8
Figure 6. Output Return Loss	8
Figure 7. Noise Figure.....	8
Figure 8. DC Current (I _{cc}) Vs Frequency	9
Figure 9. OP1dB.....	9
Figure 10. K Factor.....	9
Figure 11: OIP3.....	9
Figure 12. Top View	10
Figure 13. Bottom View	10
Figure 14. Electrical Schematic.....	11

List of Tables

Table 1. STBY Mode Truth Table.....	9
Table 2. Bill of Material (BOM)	12
Table 3. Pin1 Orientation in Tape and Reel Packaging.....	13

1. Pin Information

1.1 Pin Assignments



4 x 4 x 0.75 mm 16-VFQFPN Package
Top View

1.2 Pin Descriptions

Pin Number	Pin Name	Description
1	RFIN1	Path 1 RF input. Must use external DC block. DC block is also a tuning element and must be close to the pin for best RF performance.
4	RFIN2	Path 2 RF input. Must use external DC block. DC block is also a tuning element and must be close to the pin for best RF performance.
2, 3, 5, 8, 10, 11, 13, 16	NC	No internal connection. These pins can either be left unconnected, or be connected to ground (highly recommended). Use a via as close to the pin as possible if grounded.
6	STBY2	Standby pin for path 2. With Logic LOW applied to this pin (or if the pin is left unconnected), the amplifier on path 2 is powered ON. With Logic HIGH applied to this pin, the path 2 amplifier is powered OFF and the path is in Standby mode. Pin is 1.8V logic compatible.
7	BIAS2	Path 2 voltage control.
9	RFOUT2	Path 2 RF output internally matched to 50Ω. An external pull-up inductor to a common V_{CC} is required to bias the amplifier. Must use an external DC block after the pull-up inductor. DC block is also a tuning element and must be close to the pin for best RF performance.
12	RFOUT1	Path 1 RF output internally matched to 50Ω. An external pull-up inductor to a common V_{CC} is required to bias the amplifier. Must use an external DC block after the pull-up inductor. DC block is also a tuning element and must be up close to the pin for best RF performance.
14	BIAS1	Path 1 voltage control.
15	STBY1	Standby pin for path 1. With Logic LOW applied to this pin (or if the pin is left unconnected), the amplifier on path 1 is powered ON. With Logic HIGH applied to this pin, the path 1 amplifier is powered OFF and the path is in Standby mode. Pin is 1.8V logic compatible.
-	EPAD	Exposed paddle. Internally connected to ground. Solder this exposed paddle to a Printed Circuit Board (PCB) pad that uses multiple ground vias to provide heat transfer out of the device into the PCB ground planes. These multiple ground vias are also required to achieve the specified RF performance.

2. Specifications

2.1 Absolute Maximum Ratings

The absolute maximum ratings are stress ratings only. Stresses greater than those listed below can cause permanent damage to the device. Functional operation of the F0110 at absolute maximum ratings is not implied. Exposure to absolute maximum rating conditions can affect device reliability.

Parameter	Symbol	Minimum	Maximum	Unit
V _{CC} to GND	V _{CC}	-0.3	+ 6.0	V
STBY1, STBY2	V _{CTL}	-0.3	+5.25	V
RFIN1, RFIN2 externally applied DC voltage	V _{RFIN}	- 0.3	+ 0.3	V
RFOUT1, RFOUT2 externally applied DC voltage	V _{RFOUT}	- 0.3	+ 6.0	V
ON STATE: RF CW Input Power (RFIN1, RFIN2) applied for 2 hours max. V _{CC} = 5V, T _{EP} = 105°C, input / output VSWR < 2:1 based on a 50Ω system. [a]	P _{MAX_IN_ON}		22	dBm
OFF STATE: RF CW Input Power (RFIN1, RFIN2) applied for 2 hours max. V _{CC} = 5V, T _{EP} = 105°C, input / output VSWR < 2:1 based on a 50Ω system. [a]	P _{MAX_IN_OFF}		22	dBm
Storage Temperature Range	T _{STOR}	-65	+150	°C
Lead Temperature (soldering, 10s)	T _{LEAD}		+260	°C
Electrostatic Discharge – HBM (JEDEC/ESDA JS-001-2012)	V _{ESDHBM}		500	V
Electrostatic Discharge – CDM (JEDEC 22-C101F)	V _{ESDCDM}		500	V

[a] Exposure to these maximum RF levels can result in significantly higher I_{CC} current draw due to overdriving the amplifier stages.

2.2 Recommended Operating Conditions

Parameter	Symbol	Condition	Minimum	Typical	Maximum	Unit
Power Supply Voltage [a]	V _{CC}		4.75		5.25	V
Operating Temperature Range	T _{EP}	Exposed paddle	-40		+105	°C
Junction Temperature	T _J				+160	°C
RF Frequency Range	F _{RF}		1500		2300	MHz
Maximum Operating RF Input Power to RFIN1, RFIN2 [b]	P _{MAX}				+5	dBm
RF Source Impedances	Z _{RFI}	Single-ended		50		Ω
RF Load Impedances	Z _{RFO}	Single-ended		50		Ω

[a] Functional voltage operating range. Device is designed to function with any supply voltage ≥ 4.75V, although performance may be degraded when operated outside the recommended voltage range.

[b] CW power over operating temperature, operating voltage and operating frequency range. Input / output VSWR < 2:1.

2.3 Electrical Specifications

2.3.1. General

See the F0110 Typical Application Circuit. Specifications apply when operated as a dual RX LNA with $V_{CC} = +5.0V$, $f_{RF} = 1950MHz$, $T_{EP} = +25^{\circ}C$, $STBY1 = STBY2 = Logic\ LOW$, $Z_S = Z_L = 50\Omega$, $P_{OUT} = +5dBm/ton$ e for two-tone parameters, two-tone spacing = 1MHz, Evaluation Board (EVKit) traces and connectors are de-embedded, unless otherwise stated.

Parameter	Symbol	Condition	Minimum	Typical	Maximum	Unit
Logic Input High Threshold	V_{IH}		1.17 ^[a]		Lower of (V_{CC} , 5.25)	V
Logic Input Low Threshold	V_{IL}		-0.3		0.63	V
Logic Current High Threshold	I_{IH}		5		250	μA
Logic Current Low Threshold	I_{IL}		-20		50	μA
Quiescent Current	I_{CC_Q}	Single path		55	80	mA
		Both paths		110	160	mA
Standby Current	I_{CC_STBY}	STBY1 = STBY2 = HIGH		5	15	mA
Standby Switching Time	T_{ON}	50% STBY control to within 0.1dB of the on-state final gain value and 1 degree of final phase value		970		ns
	T_{OFF}	50% STBY control to $I_{CC} < 10mA$		420		ns

[a] Specifications in the minimum/maximum columns that are shown in **bold italics** are guaranteed by test. Specifications in these columns that are not shown in bold italics are guaranteed by design characterization.

2.3.2. RF (Balanced Configuration, 1.5GHz to 2.3GHz) Performance

See the F0110 Typical Application Circuit. Specifications apply when operated as a **dual RX LNA** with $V_{CC} = +5.0V$, $f_{RF} = 1950MHz$, $T_{EP} = +25^{\circ}C$, $STBY1 = STBY2 = Logic\ LOW$, $Z_S = Z_L = 50\Omega$, $P_{OUT} = +5dBm/ton$ e for two-tone parameters, two-tone spacing = 1MHz, Evaluation Board (EVKit) traces and connectors are de-embedded, unless otherwise stated.

Parameter	Symbol	Condition	Minimum	Typical	Maximum	Unit
RF Input Return Loss	RL_{IN}			25		dB
RF Output Return Loss	RL_{OUT}			30		dB
Gain	G		16	18	20.5	dB
Gain Flatness	G	Freq = 1700MHz – 2000MHz. Flatness referenced to Gain at band center		-1.6/+2.0		dB
Gain Variation over Temperature	G	$T_{EPAD} = -40^{\circ}C$ to $105^{\circ}C$		± 0.5		dB
Reverse Isolation	ISO			27		dB
STBY Mode Gain	G			-22		dB
Noise Figure	NF	Freq = 1950MHz, De-embedded to the input pin of the Hybrid Coupler		0.5	0.7	dB
Output IP3	OIP3	$P_{OUT} = 5dBm/ton$ e, $\Delta f = 1MHz$	36	39		dBm
Output P1dB	OP1dB		19	22		dBm
Stability	K	K-Factor $V_{CC} = 4.75V - 5.25V$ $T_{EP} = -40^{\circ}C - 105^{\circ}C$ $f_{RF} = 10MHz - 20GHz$	1			

[a] Specifications in the minimum/maximum columns that are shown in bold italics are guaranteed by test. Specifications in these columns that are not shown in bold italics are guaranteed by design characterization using external matching BOM optimizing for 1.7GHz to 2.0GHz.

2.4 Thermal Characteristics

Parameter	Symbol	Value	Unit
Junction to Ambient Thermal Resistance.	θ_{JA}	95.6	°C/W
Junction to Case Thermal Resistance. (Case is defined as the exposed paddle)	θ_{JC-BOT}	23.6	°C/W
Moisture Sensitivity Rating (Per J-STD-020)		MSL 1	

3. Typical Operating Conditions (TOC)

Unless otherwise noted, for the TOC graphs on the following pages, the following conditions apply:

- $V_{CC} = 5.0V$
- STBY = LOW
- $f_{RF} = 1950MHz$
- $Z_L = Z_S = 50\Omega$ Single Ended
- $P_{OUT} = +5dBm$ / Tone (Two-tone parameters)
- 1MHz Tone Spacing
- All temperatures are referenced to the exposed paddle
- Evaluation Kit traces and connector losses are de-embedded

3.1 Typical Performance Characteristics

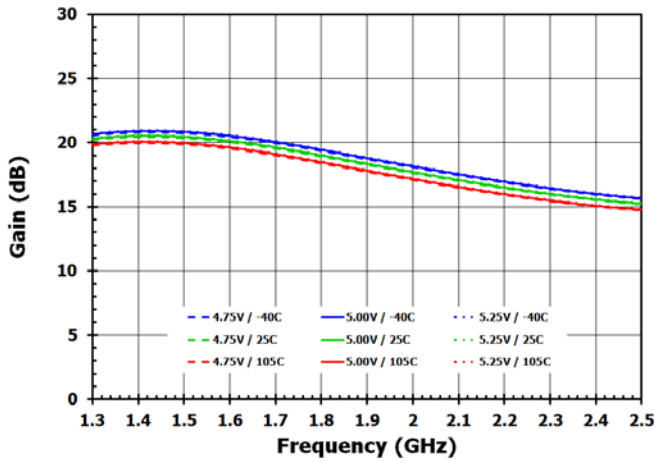


Figure 2. Gain

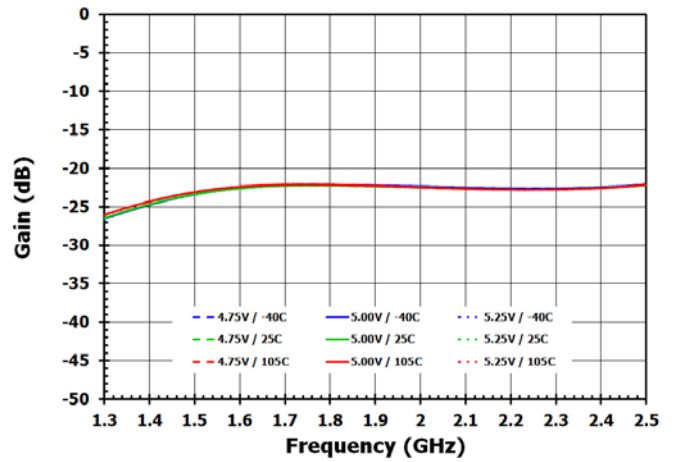


Figure 3. STBY Mode Gain

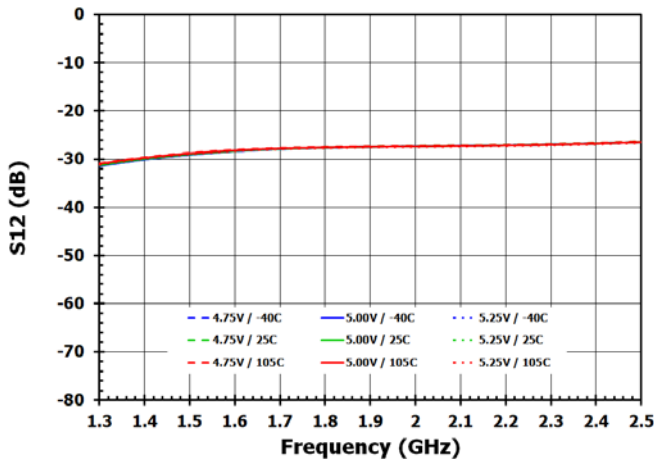


Figure 4. Reverse Isolation

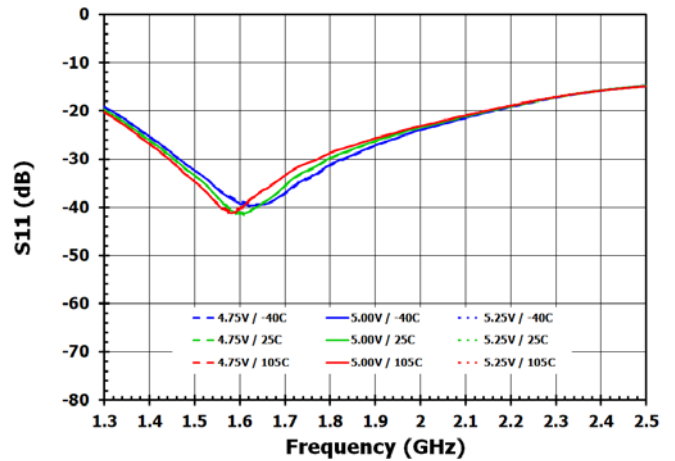


Figure 5. Input Return Loss

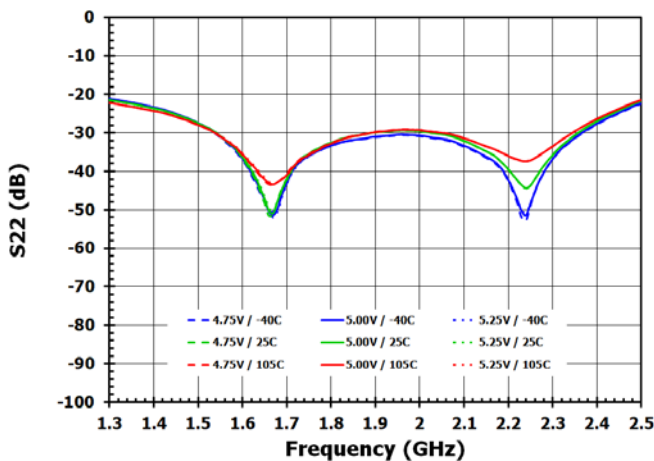


Figure 6. Output Return Loss

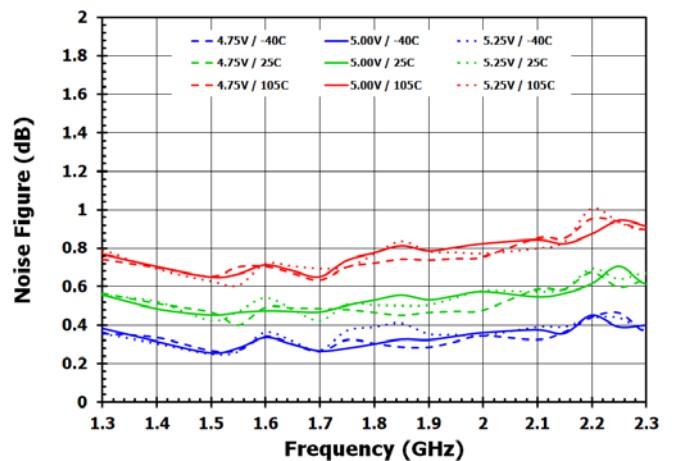


Figure 7. Noise Figure

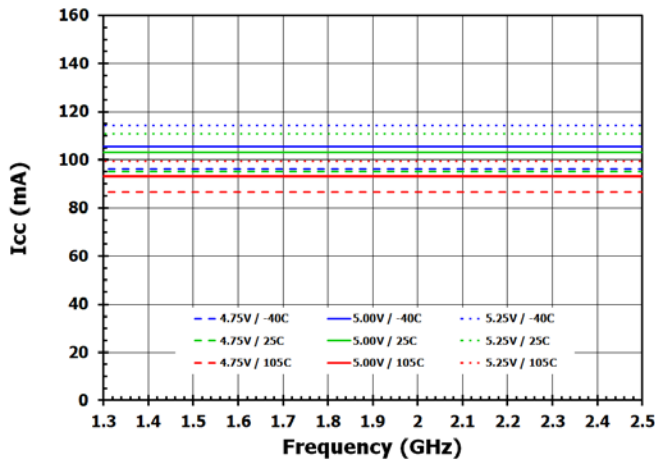


Figure 8. DC Current (I_{cc}) Vs Frequency

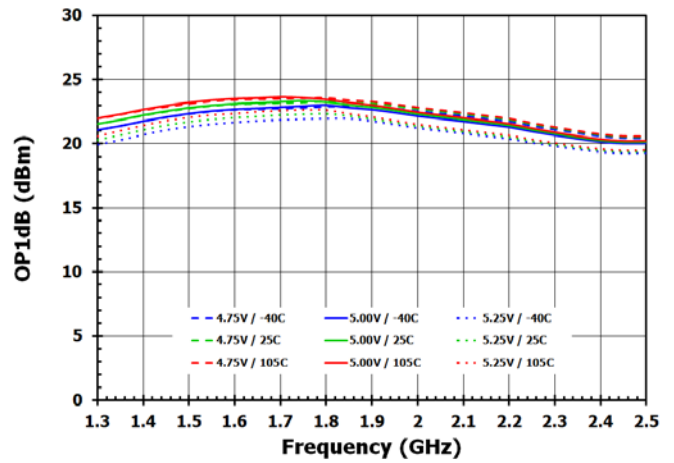


Figure 9. OP1dB

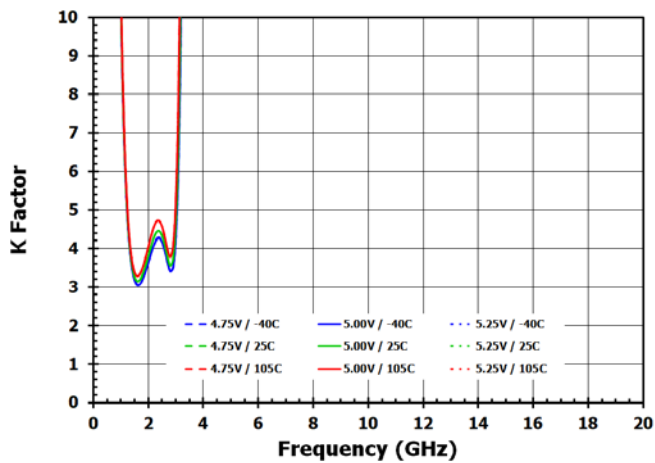


Figure 10. K Factor

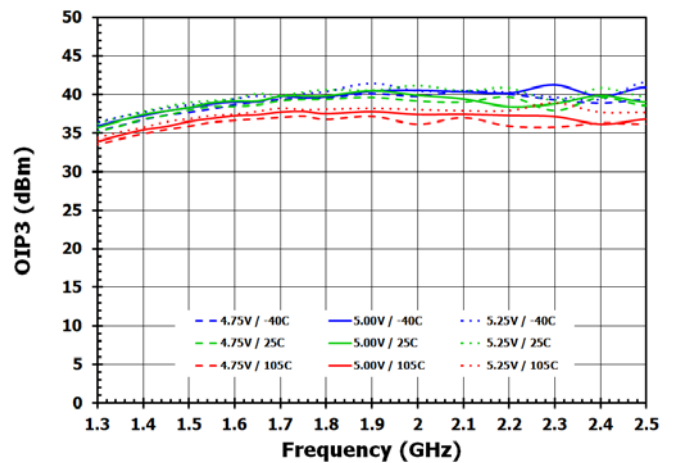


Figure 11: OIP3

4. Functional Description

4.1 Programming

The F0110 uses two dedicated control pins (STBY1 and STBY2) to place each respective signal path into its standby mode. The following section provides specific details on the functionality of each pin.

4.2 STBY Mode Programming

The F0110 allows for the independent shutdown of each signal path. Simply apply the logic shown in Table 1 below to control paths 1 and 2, respectively.

Table 1. STBY Mode Truth Table

Path	Pin	Logic	Path Power State
1	15 / STBY1	Low	Path 1 Power On
		High	Path 1 Standby
2	6 / STBY2	Low	Path 2 Power On
		High	Path 2 Standby

5. Evaluation Kit Information

5.1 Picture

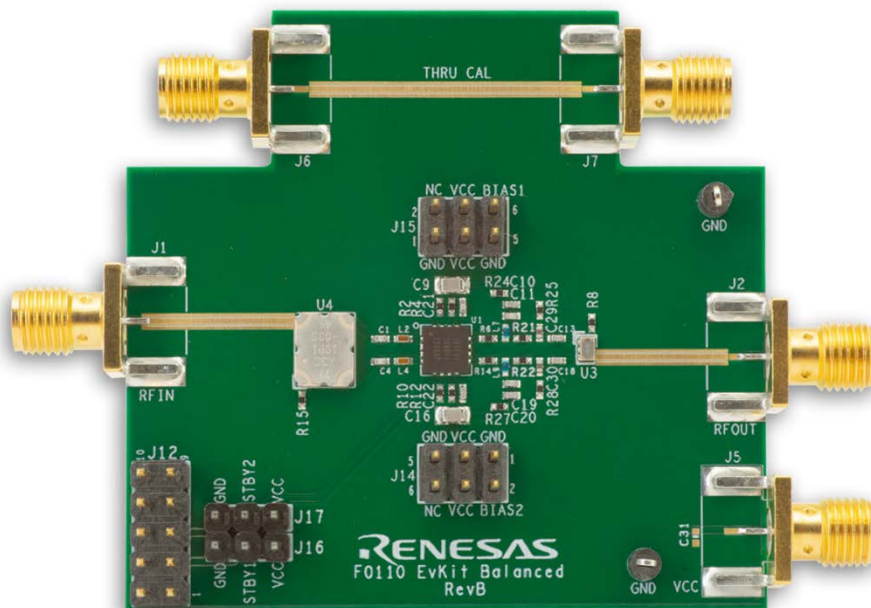


Figure 12. Top View

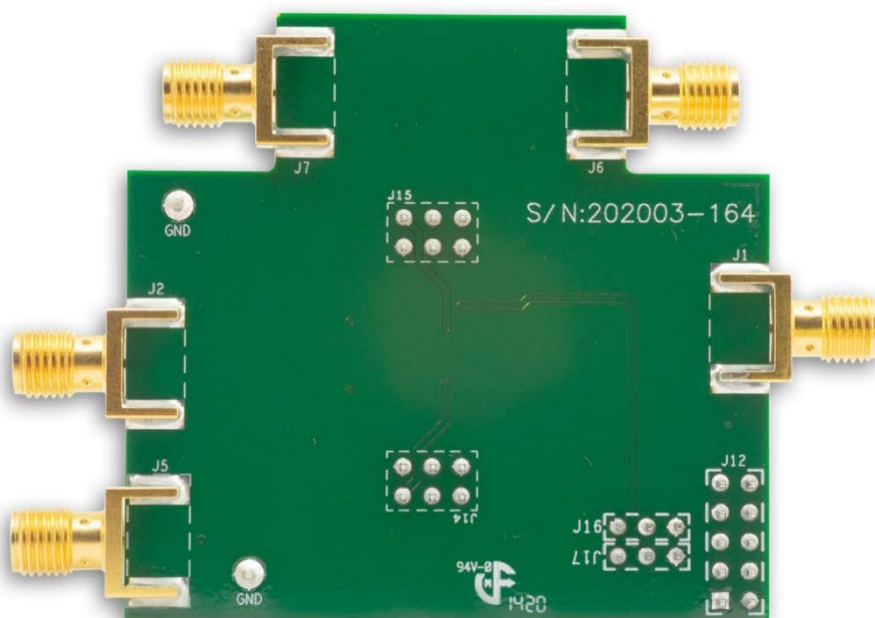


Figure 13. Bottom View

5.2 Evaluation Kit Schematic

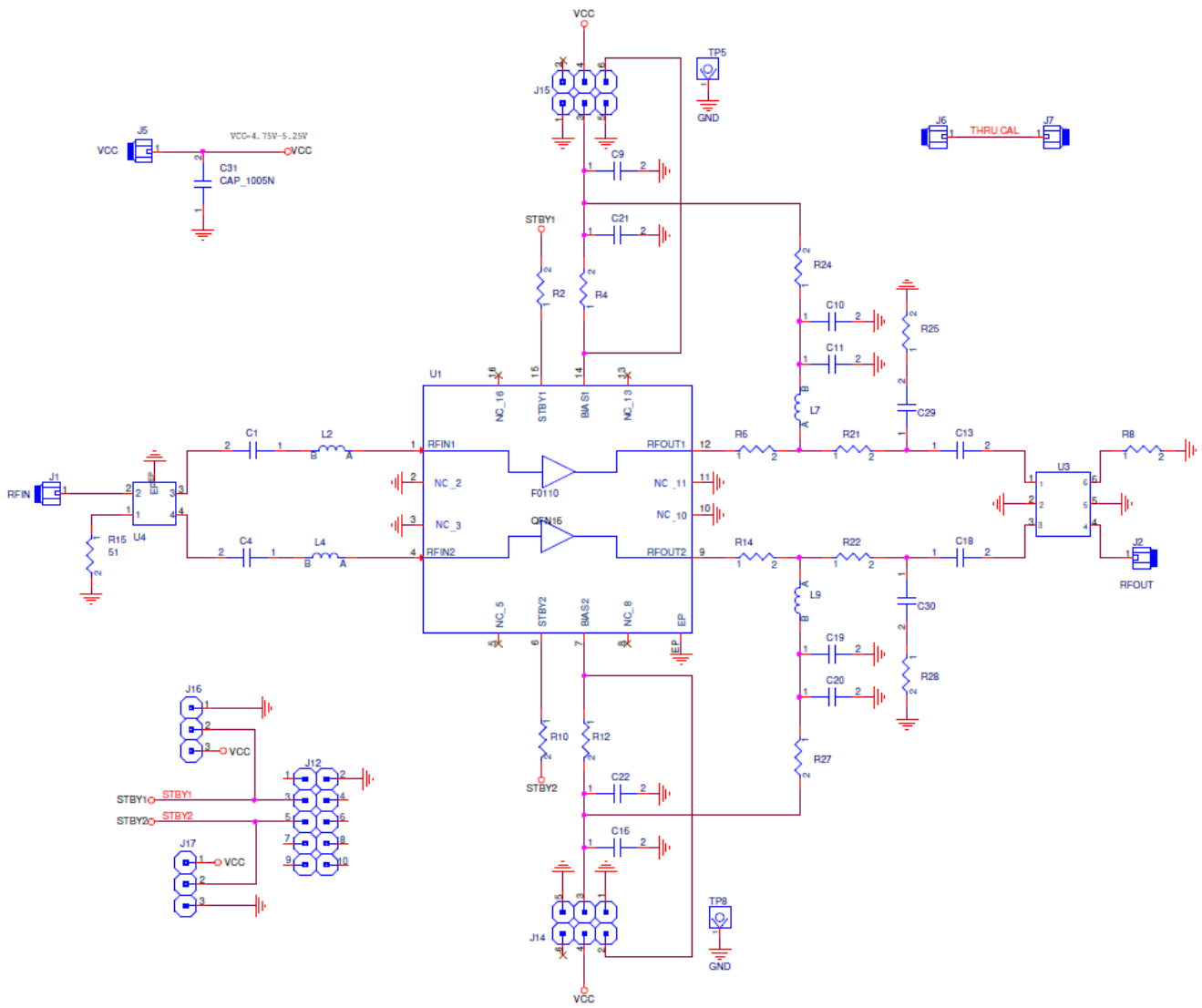


Figure 14. Electrical Schematic

Table 2. Bill of Material (BOM)

Part Reference	QTY	Description	Manufacturer Part #	Manufacturer
C1, C4	2	47pF \pm 5%, 50V, C0G Ceramic Capacitor (0402)	GRM1555C1H470J	Murata
C13, C18	2	10pF \pm 5%, 50V, C0G Ceramic Capacitor (0402)	GRM1555C1H100J	Murata
C21, C22, C11, C19	4	100pF \pm 5%, 50V, C0G Ceramic Capacitor (0402)	GRM1555C1H101J	Murata
C9, C16	2	10,000pF \pm 10% 50V Ceramic Capacitor X7R (0805)	GRM216R71H103KA	Murata
C10, C20	2	1000pF \pm 5%, 50V, C0G Ceramic Capacitor (0402)	GRM1555C1H102J	Murata
C29, C30	2	1.2pF \pm 0.05pF, 50V, C0G Ceramic Capacitor (0402)	GRM1555C1H1R2W	Murata
L2, L4	2	1.2nH \pm 5%, Inductor (0402)	LQP15MN1N2B02	Murata
L7, L9	2	2nH \pm 5%, Inductor 0402	0402CT-2N0XJR	Coilcraft
R8, R15	2	51 Ω \pm 1%, 1/10W, Resistor (0402)	ERJ-2RKF51R0X	Panasonic
R4, R12	2	1.15k Ω \pm 1%, 1/10W, Resistor (0402)	ERJ-2RKF1151X	Panasonic
R2, R6, R10, R14, R21, R22	6	0 Ω Resistors (0402)	ERJ-2GE0R00X	Panasonic
R24, R25, R27, R28	4	0 Ω Resistors (0402)	ERJ-2GE0R00X	Panasonic
U4	1	Hybrid Coupler	X3C19P1-03S	Anaren
U3	1	Hybrid Coupler	C1720J5003AHF	Anaren
U1	1	F0110	Renesas	Renesas
J14, J15	2	CONN HEADER VERT DBL 3 X 2 POS GOLD		3M
J12	1	CONN HEADER VERT DBL 5 X 2 POS GOLD	961210-6404-AR	3M
J16, J17	2	CONN HEADER VERT DBL 3 X 1 POS GOLD		3M
J1, J2, J5, J6, J7	5	Edge Launch SMA (0.375 inch pitch ground, tab) (50 Ω)	142-0701-851	Emerson Johnson
	1	Printed Circuit Board (Rev B)	Renesas	Renesas
C31	1	DNP		

5.3 Evaluation Kit Operation

5.3.1 Power Supply Setup

Set up a power supply in the voltage range of 4.75V to 5.25V with the power supply output disabled. The voltage can be applied using one of the following connections:

- Directly to the J5 SMA and connecting Pins 3 and 4 together on both J14 and J15.
- Directly to Pin 3 on both J14 and J15.

5.3.2 Power-On Procedure

Set up the voltage supplies, and Evaluation Board as described in the Power Supply Setup section and Enable the V_{CC} supply. Make sure the correct logic voltage is applied to the STBY pins on each path as defined in Table 1.

5.3.3 Power-Off Procedure

Disable the V_{CC} supply.

6. Application Information

The F0110 has been optimized for use in high performance RF applications ranging from 1.5GHz to 2.3GHz.

6.1 Power Supplies

Use a common V_{CC} power supply for all pins requiring DC power. Bypass all supply pins with external capacitors to minimize noise and fast transients. Supply noise can degrade noise figure and fast transients can trigger ESD clamps and cause them to fail. Supply voltage change, or transients should have a slew rate smaller than $1V/20\mu s$. In addition, keep all control pins at 0V ($\pm 0.3V$) while the supply voltage ramps or while it returns to zero.

6.2 Startup Condition

At device power-up, both channels default to the power state as determined by the logic present on the STBY1 and STBY2 pins.

7. Package Outline Drawings

The package outline drawings are located at the end of this document and are accessible from the Renesas website (see package links in Ordering Information). The package information is the most current data available and is subject to change without revision of this document.

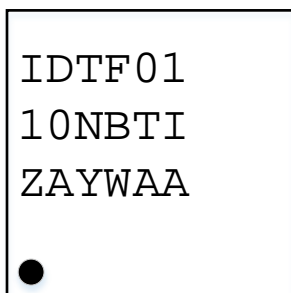
8. Ordering Information

Part Number	Package	MSL Rating	Carrier Type	Temp. Range
F0110NBTI	4 × 4 × 0.75 mm 16-VFQFPN	1	Tray	-40° to +105°C
F0110NBTI8	4 × 4 × 0.75 mm 16-VFQFPN	1	Tape and Reel	-40° to +105°C
F0110EVB	Evaluation Board			

Table 3. Pin1 Orientation in Tape and Reel Packaging

Part Number Suffix	Pin 1 Orientation	Illustration
BTI8	Quadrant 1 (EIA-481-C)	

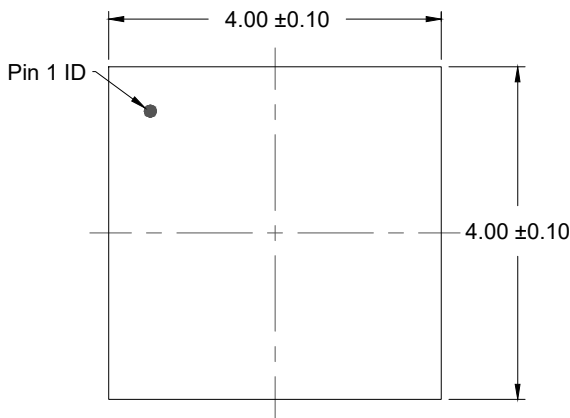
9. Marking Diagram



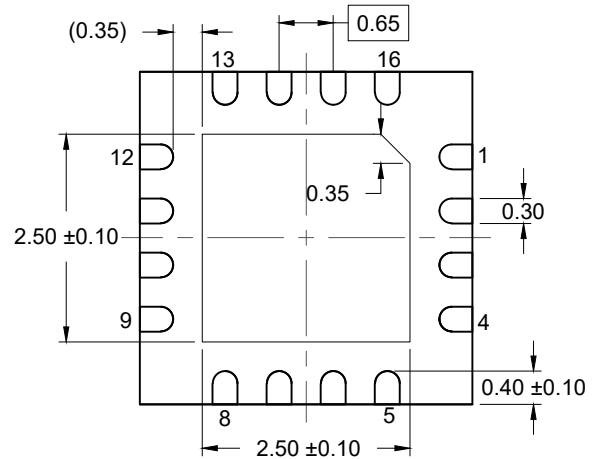
- Line 1 and 2 are the part number.
- Line 2:
 - “NBT” is for package code.
 - “I” is for Industrial grade.
- Line 3
 - “ZA” is for die version.
 - “YW” are for year and week that the part was assembled.
 - “AA” is for assembly lot number.

10. Revision History

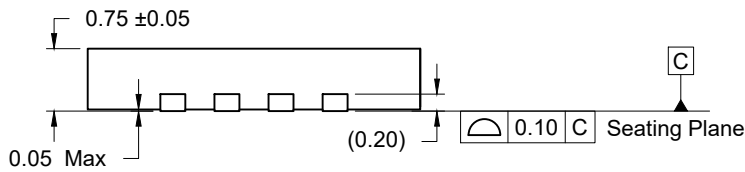
Revision	Date	Description
1.04	Jan 13, 2022	<ul style="list-style-type: none"> • Added Tape and Reel Information (Table 3).
1.03	Aug 11, 2021	<ul style="list-style-type: none"> • Modified the pin descriptions of 2, 3, 10, 11 to NC, and updated the relevant pin map and symbol in schematic to NC (see Pin Information) • Completed other minor changes.
1.02	Jul 26, 2021	<ul style="list-style-type: none"> • Updated minor typo in BOM (J16, J17 Headers) • Completed other minor changes.
1.01	Oct 13, 2020	Updated RF Performance table and Typical Performance Characteristics.
1.00	Aug 27, 2020	Initial release.



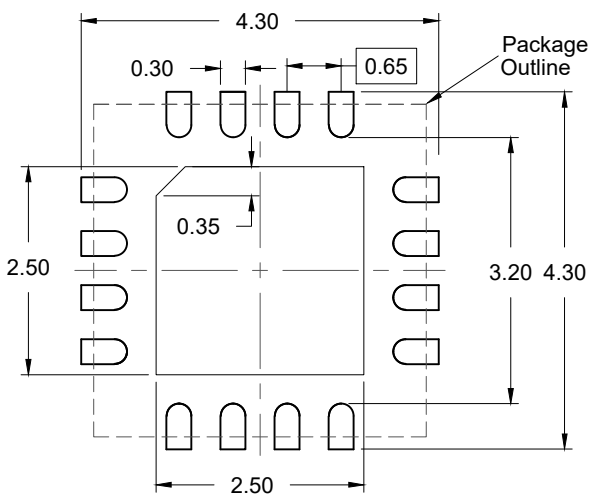
TOP VIEW



BOTTOM VIEW



SIDE VIEW



RECOMMENDED LAND PATTERN
(PCB Top View, NSMD Design)

NOTES:

1. JEDEC compatible.
2. All dimensions are in mm and angles are in degrees.
3. Use ± 0.05 mm for the non-toleranced dimensions.
4. Numbers in () are for references only.

IMPORTANT NOTICE AND DISCLAIMER

RENESAS ELECTRONICS CORPORATION AND ITS SUBSIDIARIES (“RENESAS”) PROVIDES TECHNICAL SPECIFICATIONS AND RELIABILITY DATA (INCLUDING DATASHEETS), DESIGN RESOURCES (INCLUDING REFERENCE DESIGNS), APPLICATION OR OTHER DESIGN ADVICE, WEB TOOLS, SAFETY INFORMATION, AND OTHER RESOURCES “AS IS” AND WITH ALL FAULTS, AND DISCLAIMS ALL WARRANTIES, EXPRESS OR IMPLIED, INCLUDING, WITHOUT LIMITATION, ANY IMPLIED WARRANTIES OF MERCHANTABILITY, FITNESS FOR A PARTICULAR PURPOSE, OR NON-INFRINGEMENT OF THIRD-PARTY INTELLECTUAL PROPERTY RIGHTS.

These resources are intended for developers who are designing with Renesas products. You are solely responsible for (1) selecting the appropriate products for your application, (2) designing, validating, and testing your application, and (3) ensuring your application meets applicable standards, and any other safety, security, or other requirements. These resources are subject to change without notice. Renesas grants you permission to use these resources only to develop an application that uses Renesas products. Other reproduction or use of these resources is strictly prohibited. No license is granted to any other Renesas intellectual property or to any third-party intellectual property. Renesas disclaims responsibility for, and you will fully indemnify Renesas and its representatives against, any claims, damages, costs, losses, or liabilities arising from your use of these resources. Renesas' products are provided only subject to Renesas' Terms and Conditions of Sale or other applicable terms agreed to in writing. No use of any Renesas resources expands or otherwise alters any applicable warranties or warranty disclaimers for these products.

(Disclaimer Rev.1.01)

Corporate Headquarters

TOYOSU FORESIA, 3-2-24 Toyosu,
Koto-ku, Tokyo 135-0061, Japan
www.renesas.com

Trademarks

Renesas and the Renesas logo are trademarks of Renesas Electronics Corporation. All trademarks and registered trademarks are the property of their respective owners.

Contact Information

For further information on a product, technology, the most up-to-date version of a document, or your nearest sales office, please visit www.renesas.com/contact-us/.

Looking for pricing, stock, or lifecycle information?

Click below to explore more details on WIN SOURCE:

- [View F0110NBTI8 on WIN SOURCE](#)
- [Renesas Electronics America Information](#)

Optimize Your Supply Chain with WIN SOURCE Solutions

- ✓ Global Sourcing Solution
- ✓ Obsolete Management
- ✓ Cost Control Management
- ✓ Shortage Management
- ✓ Alternative Solution
- ✓ Excess Inventory Management