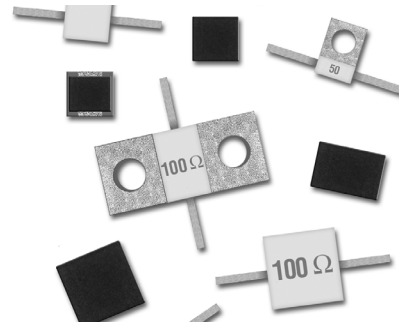


High Power Resistive Products

Flange Mount Resistors - FR Series

ELECTRICAL SPECIFICATIONS

- **Resistance:** 50 Ω , 100 Ω standard. Additional values available upon request. (Refer to PN below)
- **Resistance Tolerance:** $\pm 5\%$ standard. Additional tolerances available. (Refer to How to Order)
- **Power:** 4 - 250 Watts
- **Operating Temperature Range:** -55°C - $+150^{\circ}\text{C}$
- **Temperature Coefficient:** < 150 ppm/ $^{\circ}\text{C}$
- **Max. Rated Voltage:** 1000 Volts DC
- **Low Capacitance**



MECHANICAL SPECIFICATIONS

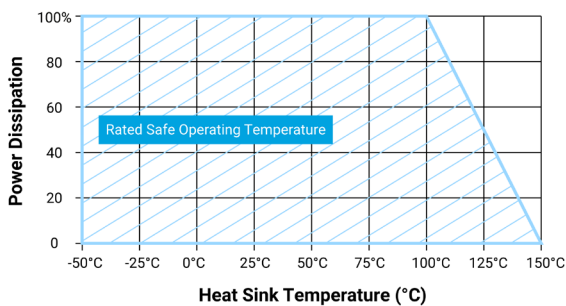
- **Package:** Flanged
- **Process:** Thin Film
- **Resistive Elements:** Tantalum Nitride
- **Substrate Material:** Aluminum Nitride
- **Leads:** 99.99% Pure Silver
- **Cover:** Alumina
- **Mechanical Tolerance:** ± 0.005
- **RoHS Compliant**
- **Non-Magnetic**



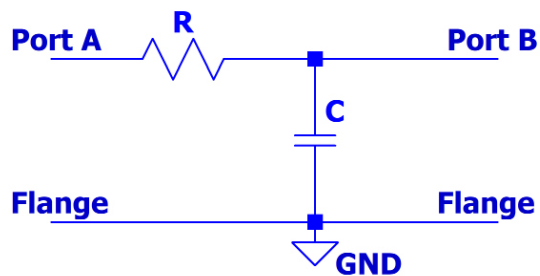
HOW TO ORDER

FR1 Case Style	0300 Case Size	N Termination N = Nickel Flange (See Note Below for Additional Options)	0100 Value Resistance in Ω Example: 0050 = 50 Ω 0100 = 100 Ω 25R5 = 25.5 Ω	J Tolerance <table border="1" style="display: inline-table; border-collapse: collapse;"> <thead> <tr> <th>Code</th> <th>Tol.</th> </tr> </thead> <tbody> <tr> <td>G</td> <td>$\pm 2\%$</td> </tr> <tr> <td>J</td> <td>$\pm 5\%$</td> </tr> </tbody> </table>	Code	Tol.	G	$\pm 2\%$	J	$\pm 5\%$	BK Packaging BK = Plastic Carrier
Code	Tol.										
G	$\pm 2\%$										
J	$\pm 5\%$										

POWER DERATING



EQUIVALENT CIRCUIT



Note: Special Order Terminations:
P = Pd over Ni Flange
S = Ag over Ni Flange
Pricing, lead times, and MOQ's vary

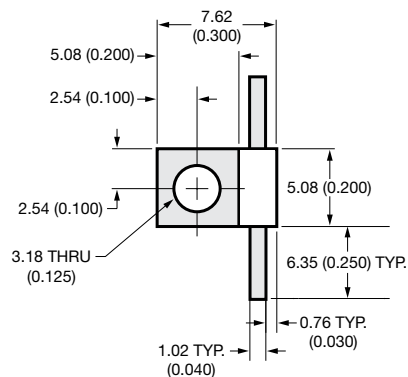
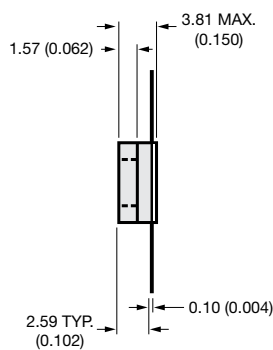
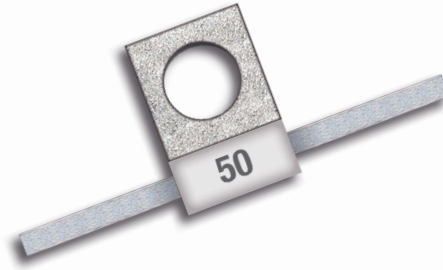
High Power Resistive Products

Flange Mount Resistors - FR Series

P/N: FR10300NXXXXJ

ELECTRICAL SPECIFICATIONS

- **Resistance:** 50Ω, 100Ω standard. Values from 28.4 to 213.3Ω available upon request.
- **Resistive Tolerance:** ±5% standard. Additional tolerances available. (Refer to How to Order)
- **Operating Temperature Range:** -55°C to +150°C
- **Temperature Coefficient:** <150 ppm/°C
- **Power:** 20 Watts
- **Capacitance:** 1.0 pF



Dimensions are in mm (inches)

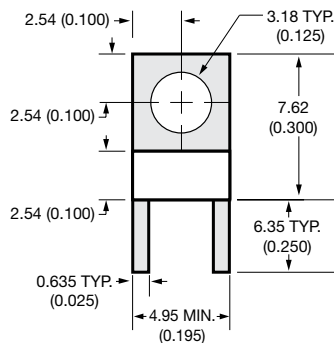
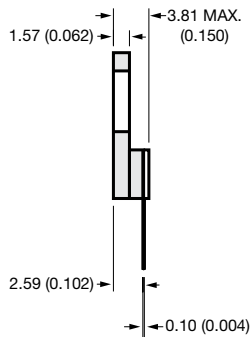
MECHANICAL TOLERANCE

±0.127 (0.005) unless otherwise specified

P/N: FR10302NXXXXJ

ELECTRICAL SPECIFICATIONS

- **Resistance:** 50Ω, 100Ω standard. Values from 28.4 to 213.3Ω available upon request.
- **Resistive Tolerance:** ±5% standard. Additional tolerances available. (Refer to How to Order)
- **Operating Temperature Range:** -55 to +150°C
- **Temperature Coefficient:** <150 ppm/°C
- **Power:** 20 Watts
- **Capacitance:** 1.0pF



Dimensions are in mm (inches)

MECHANICAL TOLERANCE

±0.127 (0.005) unless otherwise specified

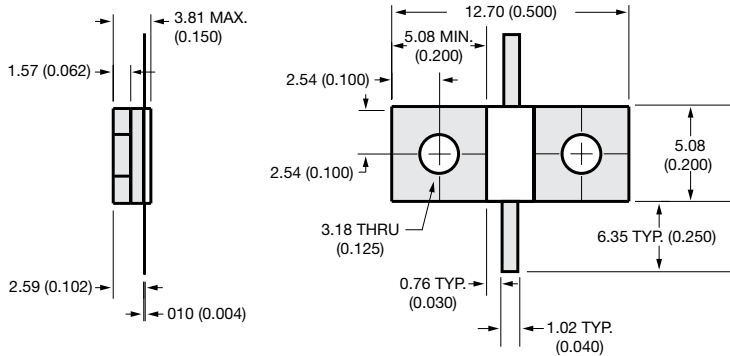
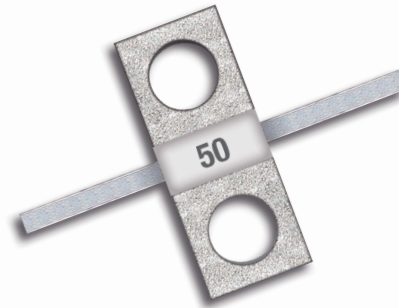
High Power Resistive Products

Flange Mount Resistors - FR Series

P/N: FR10500NXXXXJ

ELECTRICAL SPECIFICATIONS

- **Resistance:** 50Ω, 100Ω standard. Values from 28.4 to 213.3Ω available upon request.
- **Resistive Tolerance:** ±5% standard. Additional tolerances available. (Refer to How to Order)
- **Operating Temperature Range:** -55 to +150°C
- **Temperature Coefficient:** <150 ppm/°C
- **Power:** 25 Watts
- **Capacitance:** 1.0pF



Dimensions are in mm (inches)

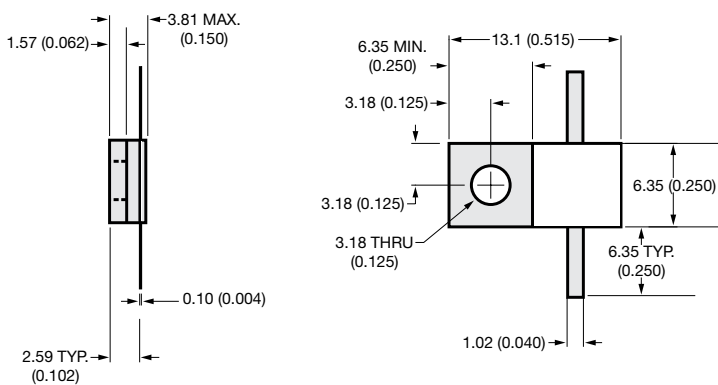
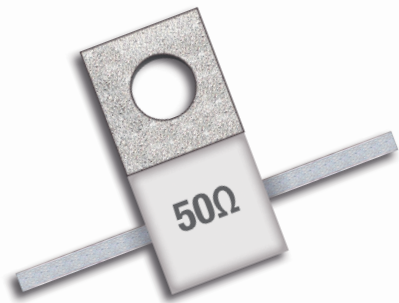
MECHANICAL TOLERANCE

±0.127 (0.005) unless otherwise specified

P/N: FR10515NXXXXJ

ELECTRICAL SPECIFICATIONS

- **Resistance:** 50Ω, 100Ω standard. Values from 27.8 to 208.3Ω available upon request.
- **Resistive Tolerance:** ±5% standard. Additional tolerances available. (Refer to How to Order)
- **Operating Temperature Range:** -55°C to +150°C
- **Temperature Coefficient:** <150 ppm/°C
- **Power:** 60 Watts
- **Capacitance:** 2.0 pF



Dimensions are in mm (inches)

MECHANICAL TOLERANCE

±0.127 (0.005) unless otherwise specified

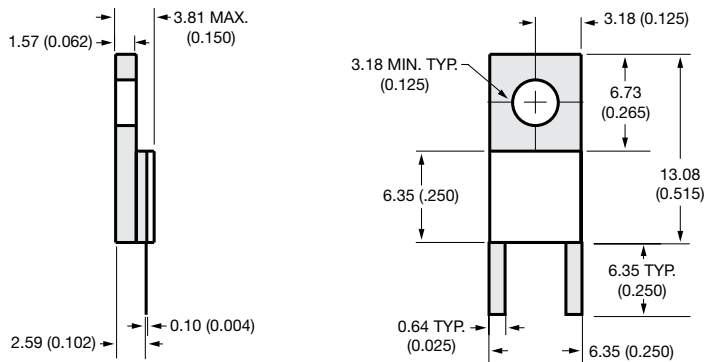
High Power Resistive Products

Flange Mount Resistors - FR Series

P/N: FR10517NXXXXJ

ELECTRICAL SPECIFICATIONS

- **Resistance:** 50Ω, 100Ω standard. Values from 27.8 to 208.3Ω available upon request.
- **Resistive Tolerance:** ±5% standard. Additional tolerances available. (Refer to How to Order)
- **Operating Temperature Range:** -55 to +150°C
- **Temperature Coefficient:** <150 ppm/°C
- **Power:** 60 Watts
- **Capacitance:** 2.2 pF



Dimensions are in mm (inches)

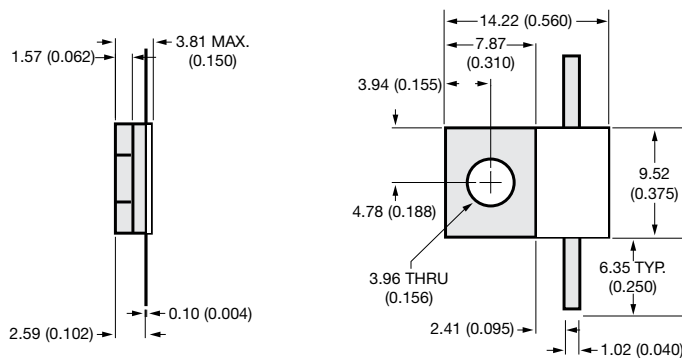
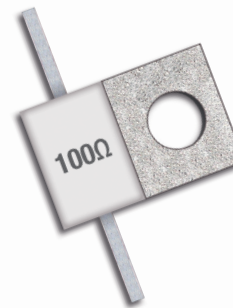
MECHANICAL TOLERANCE

±0.127 (0.005) unless otherwise specified

P/N: FR10560NXXXXJ

ELECTRICAL SPECIFICATIONS

- **Resistance:** 50Ω, 100Ω standard. Values from 31.3 to 235.1Ω available upon request.
- **Resistive Tolerance:** ±5% standard. Additional tolerances available. (Refer to How to Order)
- **Operating Temperature Range:** -55°C to +150°C
- **Temperature Coefficient:** <150 ppm/°C
- **Power:** 75 Watts
- **Capacitance:** 4.15 pF



Dimensions are in mm (inches)

MECHANICAL TOLERANCE

±0.127 (0.005) unless otherwise specified

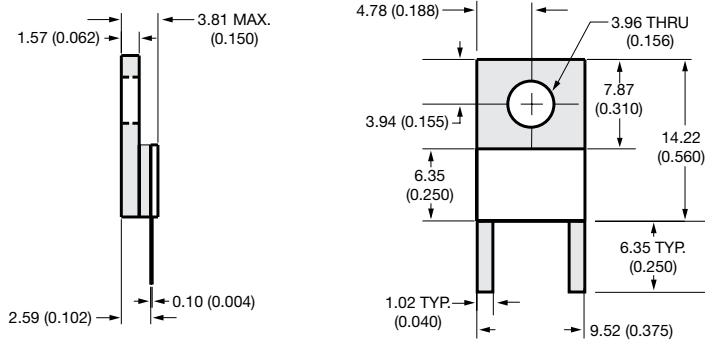
High Power Resistive Products

Flange Mount Resistors - FR Series

P/N: FR10562NXXXXJ

ELECTRICAL SPECIFICATIONS

- **Resistance:** 50Ω, 100Ω standard. Values from 31.3 to 235.1Ω available upon request.
- **Resistive Tolerance:** ±5% standard. Additional tolerances available. (Refer to How to Order)
- **Operating Temperature Range:** -55 to +150°C
- **Temperature Coefficient:** <150 ppm/°C
- **Power:** 75 Watts
- **Capacitance:** 4.15 pF



Dimensions are in mm (inches)

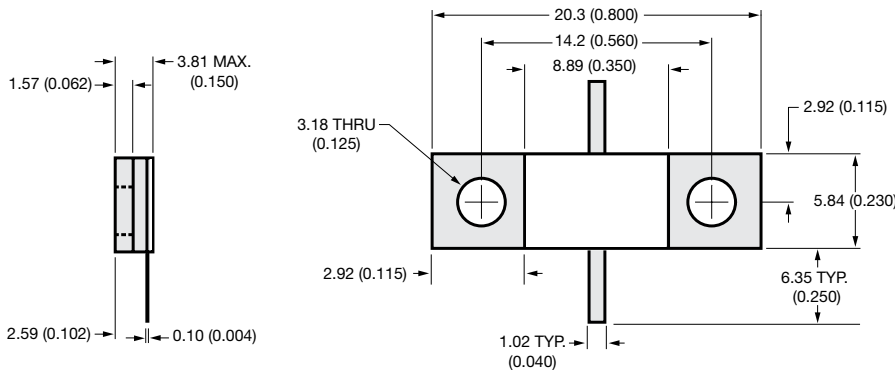
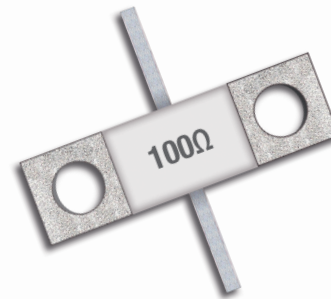
MECHANICAL TOLERANCE

±0.127 (0.005) unless otherwise specified

P/N: FR10800NXXXXJ

ELECTRICAL SPECIFICATIONS

- **Resistance:** 50Ω, 100Ω standard. Values from 9.7 to 72.9Ω available upon request.
- **Resistive Tolerance:** ±5% standard. Additional tolerances available. (Refer to How to Order)
- **Operating Temperature Range:** -55°C to +150°C
- **Temperature Coefficient:** <150 ppm/°C
- **Power:** 100 Watts
- **Capacitance:** 3.10 pF



Dimensions are in mm (inches)

MECHANICAL TOLERANCE

±0.127 (0.005) unless otherwise specified

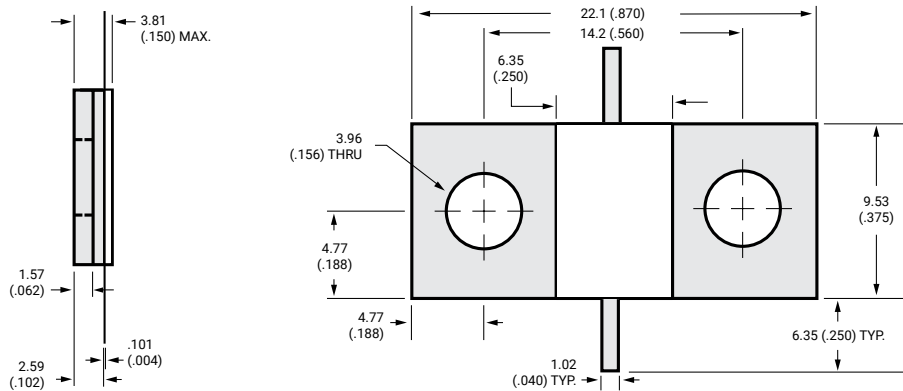
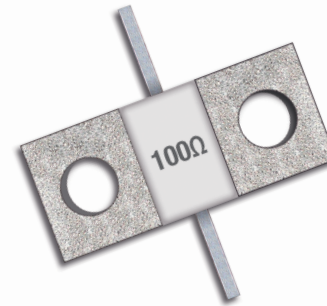
High Power Resistive Products

Flange Mount Resistors - FR Series

P/N: FR10870NXXXXJ

ELECTRICAL SPECIFICATIONS

- **Resistance:** 50Ω, 100Ω standard. Values from 31.3 to 235.1Ω available upon request.
- **Resistive Tolerance:** ±5% standard. Additional tolerances available. (Refer to How to Order)
- **Operating Temperature Range:** -55°C to +150°C
- **Temperature Coefficient:** <150 ppm/°C
- **Power:** 150 Watts
- **Capacitance:** 4.15 pF



MECHANICAL TOLERANCE

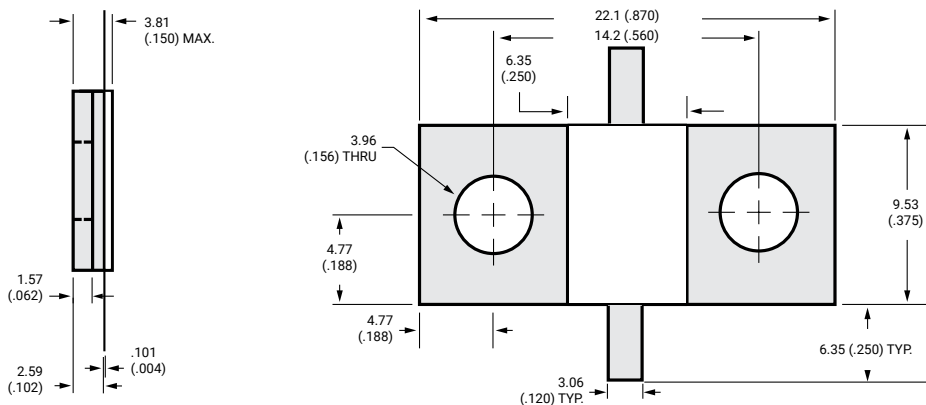
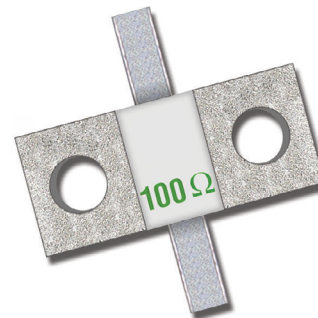
±0.127 (0.005) unless otherwise specified

Dimensions are in mm (inches)

P/N: FR10870NXXXXJ01

ELECTRICAL SPECIFICATIONS

- **Resistance:** 50Ω, 100Ω standard. Values from 31.3 to 235.1Ω available upon request.
- **Resistive Tolerance:** ±5% standard. Additional tolerances available. (Refer to How to Order)
- **Operating Temperature Range:** -55°C to +150°C
- **Temperature Coefficient:** <150 ppm/°C
- **Power:** 150 Watts
- **Capacitance:** 4.15 pF



MECHANICAL TOLERANCE

±0.127 (0.005) unless otherwise specified

Dimensions are in mm (inches)

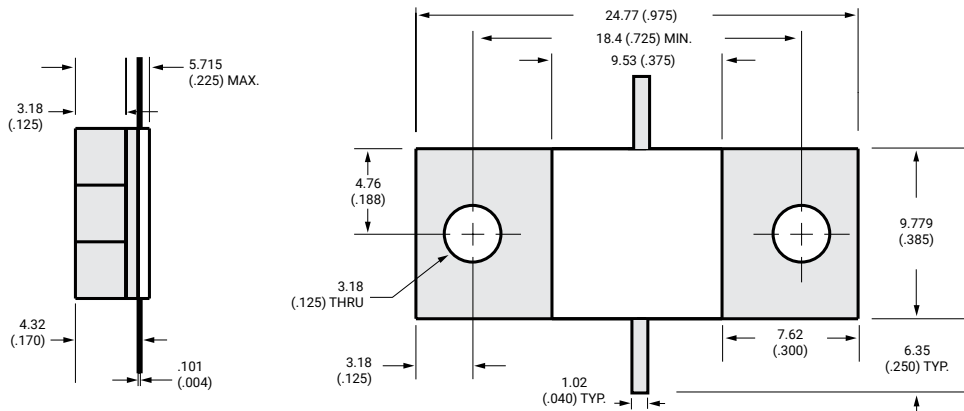
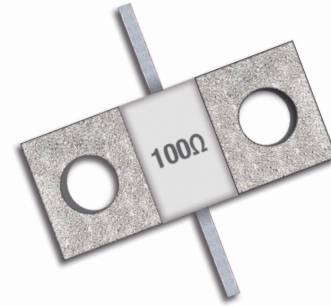
High Power Resistive Products

Flange Mount Resistors - FR Series

P/N: FR10975NXXXXJ

ELECTRICAL SPECIFICATIONS

- **Resistance:** 50Ω, 100Ω standard. Values from 16.9 to 126.6Ω available upon request.
- **Resistive Tolerance:** ±5% standard. Additional tolerances available. (Refer to How to Order)
- **Operating Temperature Range:** -55°C to +150°C
- **Temperature Coefficient:** <150 ppm/°C
- **Power:** 250 Watts
- **Capacitance:** 6.5 pF



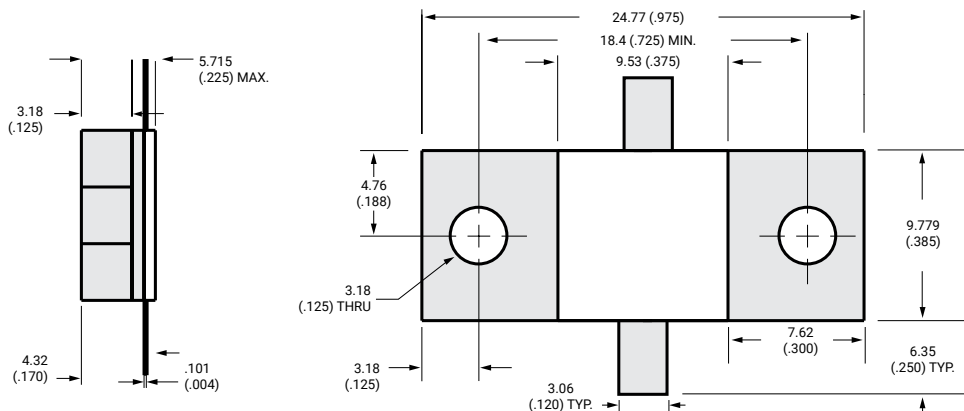
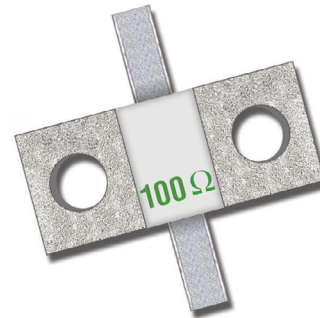
MECHANICAL TOLERANCE
 ±0.127 (0.005) unless otherwise specified

Dimensions are in mm (inches)

P/N: FR10975N0100J01

ELECTRICAL SPECIFICATIONS

- **Resistance:** 50Ω, 100Ω standard. Values from 16.9 to 126.6Ω available upon request.
- **Resistive Tolerance:** ±5% standard. Additional tolerances available. (Refer to How to Order)
- **Operating Temperature Range:** -55 to +150°C
- **Temperature Coefficient:** <150 ppm/°C
- **Power:** 250 Watts
- **Capacitance:** 6.5 pF



MECHANICAL TOLERANCE
 ±0.127 (0.005) unless otherwise specified

Dimensions are in mm (inches)

Looking for pricing, stock, or lifecycle information?

Click below to explore more details on WIN SOURCE:

 [View FR10515N0050JBK on WIN SOURCE](#)

 [AVX Corp/Kyocera Corp](#) Information

Optimize Your Supply Chain with WIN SOURCE Solutions

-  Global Sourcing Solution
-  Obsolete Management
-  Cost Control Management
-  Shortage Management
-  Alternative Solution
-  Excess Inventory Management