

# BLM9D1822S-60PBG

LDMOS 2-stage integrated Doherty MMIC

Rev. 3 — 16 April 2021

AMPLEON

Product data sheet

## 1. Product profile

### 1.1 General description

The BLM9D1822S-60PBG is a dual section, 2-stage fully integrated Doherty MMIC solution using Ampleon's state of the art GEN9 LDMOS technology. For each section, the carrier and peaking device, input splitter and output combiner are integrated in a single package. This multiband device is perfectly suited as general purpose driver or small cell final in the frequency range from 1800 MHz to 2200 MHz. Available in gull wing outline.

**Table 1. Performance**

Typical RF performance at  $T_{case} = 25\text{ °C}$ ;  $I_{Dq} = 222\text{ mA}$  (carrier and peaking);

$V_{GSq(peaking)} = V_{GSq(carrier)} - 0.9\text{ V}$ . Test signal: 1-carrier LTE 20 MHz; measured in an Ampleon  $f = 1960\text{ MHz}$  combined integrated Doherty application circuit.

Test signal	f (MHz)	V <sub>DS</sub> (V)	P <sub>L(AV)</sub> (W)	G <sub>p</sub> (dB)	η <sub>D</sub> (%)	ACPR <sub>20M</sub> (dBc)
1-carrier LTE 20 MHz	1960	28	3.16	28.7	22.8	-44.1

### 1.2 Features and benefits

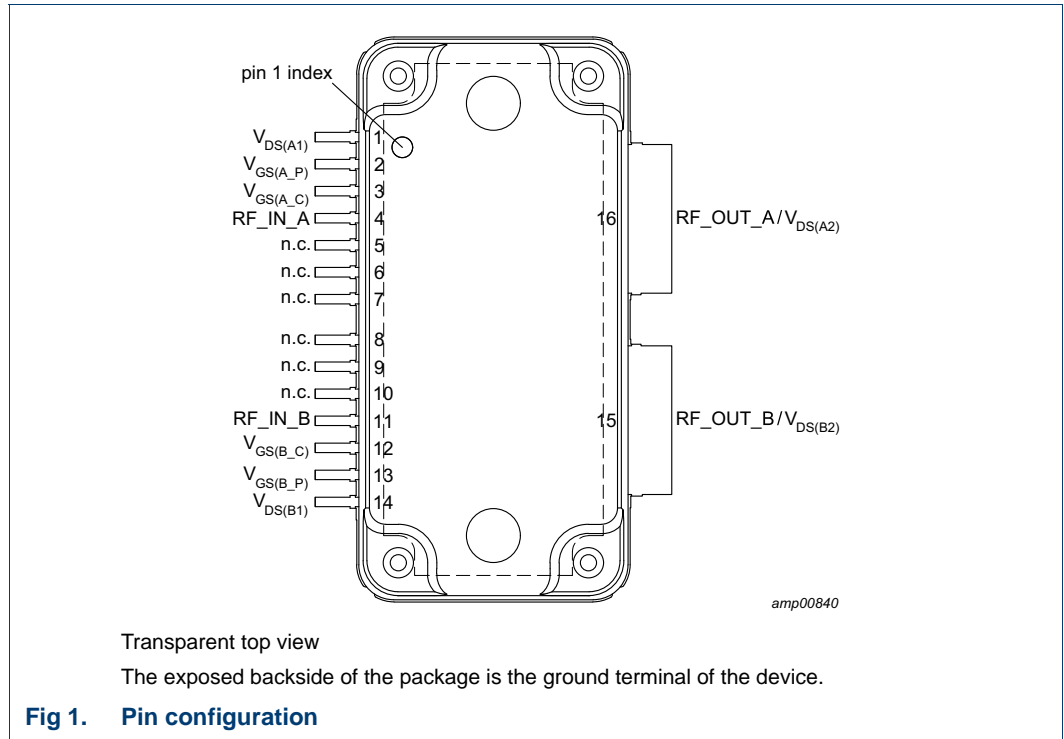
- Integrated input splitter
- Integrated output combiner
- High efficiency
- Designed for broadband operation (frequency 1800 MHz to 2200 MHz)
- High section-to-section isolation enabling multiple combinations
- Independent control of carrier and peaking bias
- Integrated ESD protection
- Excellent thermal stability
- Source impedance 50 Ω; high power gain
- For RoHS compliance see the product details on the Ampleon website

### 1.3 Applications

- RF power MMIC for multi-carrier and multi-standard GSM, W-CDMA and LTE base stations in the 1800 MHz to 2200 MHz frequency range. Possible circuit topologies are the following as also depicted in [Section 8.1](#):
  - ◆ Dual section or single ended
  - ◆ Quadrature combined
  - ◆ Push-pull

## 2. Pinning information

### 2.1 Pinning



### 2.2 Pin description

Table 2. Pin description

Symbol	Pin	Description
$V_{DS(A1)}$	1	drain-source voltage of driver stage of section A
$V_{GS(A_P)}$	2	gate-source voltage of peaking of section A
$V_{GS(A_C)}$	3	gate-source voltage of carrier of section A
RF_IN_A	4	RF input section A
n.c.	5	not connected
n.c.	6	not connected
n.c.	7	not connected
n.c.	8	not connected
n.c.	9	not connected
n.c.	10	not connected
RF_IN_B	11	RF input section B
$V_{GS(B_C)}$	12	gate-source voltage of carrier of section B
$V_{GS(B_P)}$	13	gate-source voltage of peaking of section B
$V_{DS(B1)}$	14	drain-source voltage of driver stages of section B

Table 2. Pin description ...continued

Symbol	Pin	Description
RF_OUT_B/ $V_{DS(B2)}$	15	RF output section B / drain-source voltage of final stages of section B
RF_OUT_A/ $V_{DS(A2)}$	16	RF output section A / drain-source voltage of final stages of section A
GND	flange	RF ground

### 3. Ordering information

Table 3. Ordering information

Type number	Package		Version
	Name	Description	
BLM9D1822S-60PBG		plastic, heatsink small outline package; 16 leads	OMP-780-16G-1

### 4. Block diagram

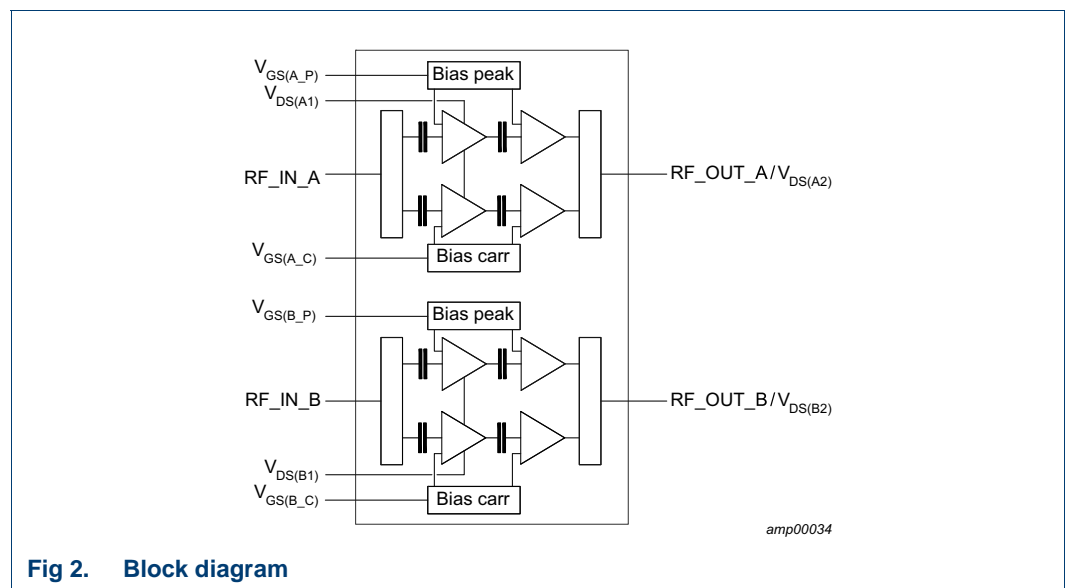


Fig 2. Block diagram

### 5. Limiting values

Table 4. Limiting values

In accordance with the Absolute Maximum Rating System (IEC 60134).

Symbol	Parameter	Conditions	Min	Max	Unit
$V_{DS}$	drain-source voltage		-	65	V
$V_{GS}$	gate-source voltage		-0.5	+13	V
$T_{stg}$	storage temperature		-65	+150	°C
$T_j$	junction temperature	[1]	-	225	°C
$T_{case}$	case temperature		-	150	°C

[1] Continuous use at maximum temperature will affect the reliability. For details refer to the online MTF calculator.

## 6. Thermal characteristics

**Table 5. Thermal characteristics**

Measured for total device.

Symbol	Parameter	Conditions	Value	Unit	
R <sub>th(j-c)</sub>	thermal resistance from junction to case	T <sub>case</sub> = 90 °C; P <sub>L</sub> = 3 W	[1]	2.8	K/W
		T <sub>case</sub> = 90 °C; P <sub>L</sub> = 6 W	[1]	2.6	K/W

[1] When operated with an 1-carrier W-CDMA with PAR = 9.9 dB.

## 7. Characteristics

**Table 6. DC characteristics**

T<sub>case</sub> = 25 °C; per section unless otherwise specified.

Symbol	Parameter	Conditions	Min	Typ	Max	Unit
<b>Carrier</b>						
V <sub>GSq</sub>	gate-source quiescent voltage	V <sub>DS</sub> = 28 V; I <sub>D</sub> = 105 mA	1.7	2.1	2.5	V
I <sub>GSS</sub>	gate leakage current	V <sub>GS</sub> = 1 V; V <sub>DS</sub> = 0 V	-	-	140	nA
<b>Peaking</b>						
I <sub>GSS</sub>	gate leakage current	V <sub>GS</sub> = 1 V; V <sub>DS</sub> = 0 V	-	-	140	nA
<b>Final stages</b>						
I <sub>DSS</sub>	drain leakage current	V <sub>GS</sub> = 0 V; V <sub>DS</sub> = 28 V	-	-	1.4	μA
<b>Driver stages</b>						
I <sub>DSS</sub>	drain leakage current	V <sub>GS</sub> = 0 V; V <sub>DS</sub> = 28 V	-	-	1.4	μA

**Table 7. RF Characteristics**

Typical RF performance at T<sub>case</sub> = 25 °C; per section unless otherwise specified; V<sub>DS</sub> = 28 V; I<sub>Dq</sub> = 105 mA; V<sub>GSq(peaking)</sub> = V<sub>GSq(carrier)</sub> - 0.4 V; P<sub>L(AV)</sub> = 2.51 W (34 dBm); f = 2200 MHz, measured in an Ampleon production circuit. Test signal: pulsed CW; t<sub>p</sub> = 0.1 ms; δ = 10 %;

Symbol	Parameter	Conditions	Min	Typ	Max	Unit
G <sub>p</sub>	power gain	f = 2200 MHz	26.3	28.3	-	dB
η <sub>D</sub>	drain efficiency	P <sub>L</sub> = 2.51 W (34 dBm)	23	25.5	-	%
		P <sub>L</sub> = P <sub>L(3dB)</sub>	50	53	-	%
RL <sub>in</sub>	input return loss		-	-	-10	dB
P <sub>L(3dB)</sub>	output power at 3 dB gain compression		44.9	45.4	-	dBm

## 8. Application information

**Table 8. Typical performance**

T<sub>case</sub> = 25 °C; V<sub>DS</sub> = 28 V; I<sub>Dq</sub> = 222 mA (driver and final stages). Test signal: 1-carrier LTE 20 MHz; PAR = 7.2 dB; measured in an Ampleon 1800 MHz to 2200 MHz frequency band symmetrical integrated Doherty application circuit.

Symbol	Parameter	Conditions	Min	Typ	Max	Unit
P <sub>L(1dB)</sub>	output power at 1 dB gain compression	f = 1960 MHz	[1]	47.7	-	dBm
P <sub>L(3dB)</sub>	output power at 3 dB gain compression	f = 1960 MHz	[1]	48.7	-	dBm
φ <sub>s21</sub> /φ <sub>s21(norm)</sub>	normalized phase response	f = 1960 MHz at 3 dB compression point	[2]	-8.7	-	°

**Table 8. Typical performance ...continued**

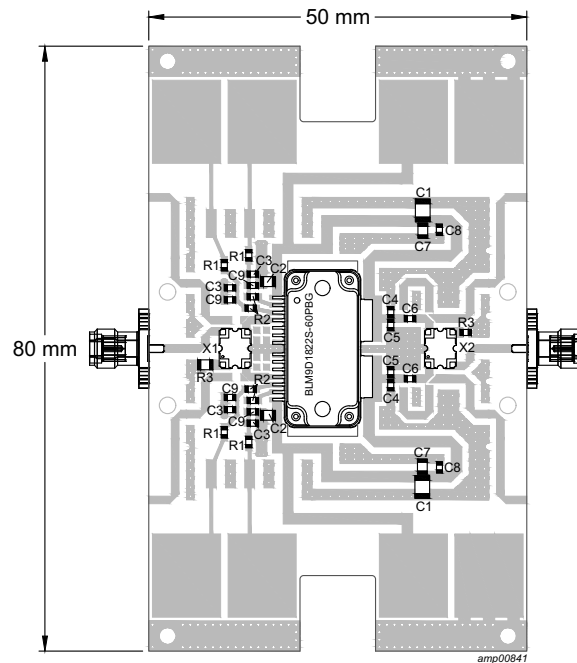
$T_{case} = 25\text{ }^{\circ}\text{C}$ ;  $V_{DS} = 28\text{ V}$ ;  $I_{Dq} = 222\text{ mA}$  (driver and final stages). Test signal: 1-carrier LTE 20 MHz; PAR = 7.2 dB; measured in an Ampleon 1800 MHz to 2200 MHz frequency band symmetrical integrated Doherty application circuit.

Symbol	Parameter	Conditions	Min	Typ	Max	Unit
$\eta_D$	drain efficiency	13.7 dB OBO ( $P_{L(AV)} = 35\text{ dBm}$ ); $f = 1960\text{ MHz}$	-	22.8	-	%
$G_p$	power gain	$P_{L(AV)} = 35\text{ dBm}$ ; $f = 1960\text{ MHz}$	-	28.7	-	dB
$B_{video}$	video bandwidth	$P_{L(AV)} = 35\text{ dBm}$ set to obtain IMD3 = -40 dBc; 2-tone CW; $f = 1960\text{ MHz}$	-	151	-	MHz
$G_{flat}$	gain flatness	$P_{L(AV)} = 35\text{ dBm}$ ; $f = 1800\text{ MHz}$ to 2200 MHz	-	1.1	-	dB
ACPR <sub>20M</sub>	adjacent channel power ratio (20 MHz)	$P_{L(AV)} = 35\text{ dBm}$ ; $f = 1960\text{ MHz}$	-	-44.1	-	dBc
$\Delta G/\Delta T$	gain variation with temperature	$f = 1960\text{ MHz}$	[3]	0.045	-	dB/ $^{\circ}\text{C}$
K	Rollett stability factor	$T_{case} = -40\text{ }^{\circ}\text{C}$ ; $f = 0.2\text{ GHz}$ to 5 GHz	[3]	>4	-	

[1] Pulsed CW power sweep measurement ( $\delta = 10\%$ ;  $t_p = 100\text{ }\mu\text{s}$ ).

[2] 25 ms CW power sweep measurement.

[3] S-parameters measured with broadband demo board.

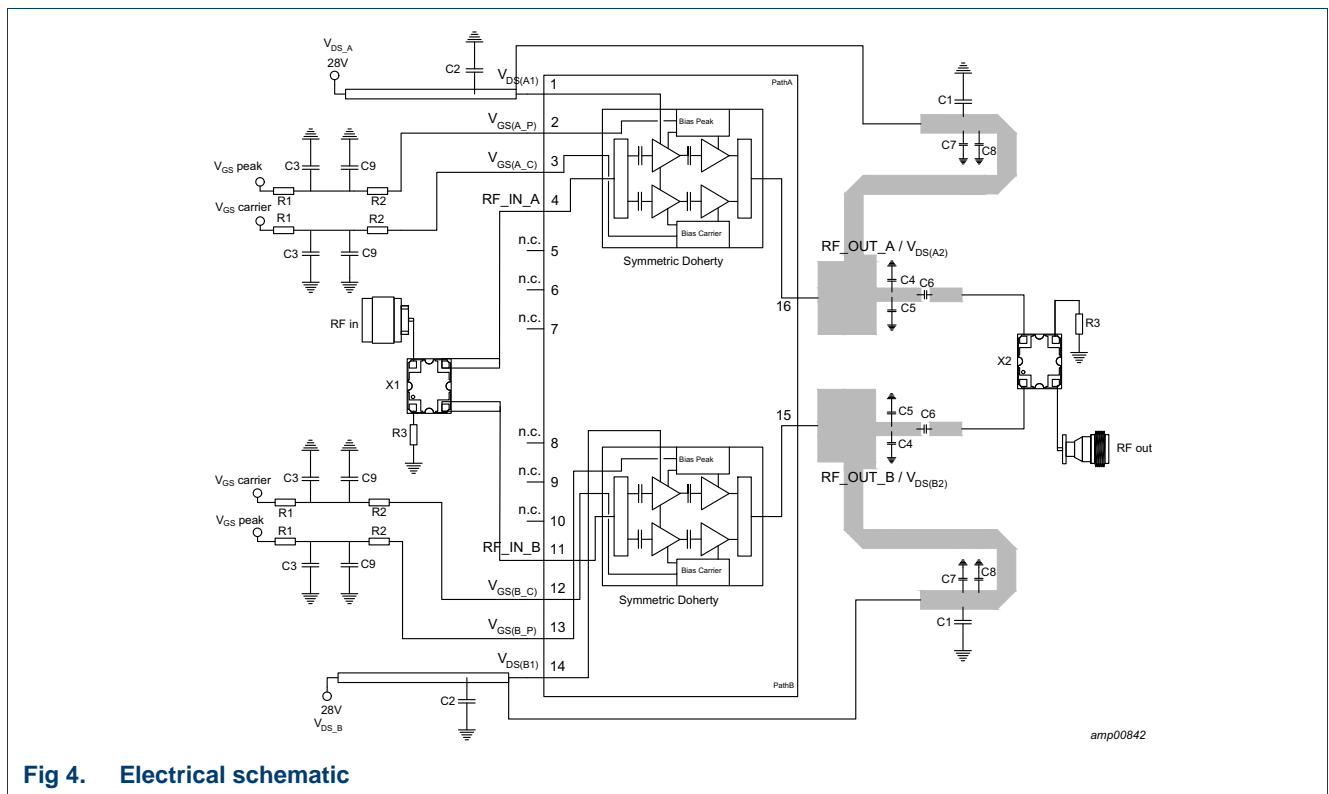


Printed-Circuit Board (PCB): RO4350; thickness = 0.508 mm.

**Fig 3. Component layout**

**Table 9. List of components**  
See [Figure 3](#) for component layout.

Component	Description	Value	Remarks
C1	multilayer ceramic chip capacitor	10 $\mu$ F, 50 V	Murata: SMD 1206
C2	multilayer ceramic chip capacitor	10 $\mu$ F, 35 V	TDK: SMD 0805
C3	multilayer ceramic chip capacitor	10 $\mu$ F, 6.3 V	Murata: SMD 0603
C4, C5	multilayer ceramic chip capacitor	0.8 pF	Murata: SMD 0603
C6	multilayer ceramic chip capacitor	7.5 pF	Murata: SMD 0603
C7	multilayer ceramic chip capacitor	1 nF	Murata: SMD 0805
C8	multilayer ceramic chip capacitor	18 pF	Murata: SMD 0603
C9	multilayer ceramic chip capacitor	22 pF	Murata: SMD 0603
R1	resistor	1 k $\Omega$	Multicomp: SMD 0603
R2	resistor	5.1 $\Omega$	Multicomp: SMD 0603
R3	resistor	50 $\Omega$	Multicomp: SMD 0805
X1, X2	hybrid coupler	3 dB, 90 $^\circ$	Anaren: X3C25F1-03S



**Fig 4. Electrical schematic**

8.1 Possible circuit topologies

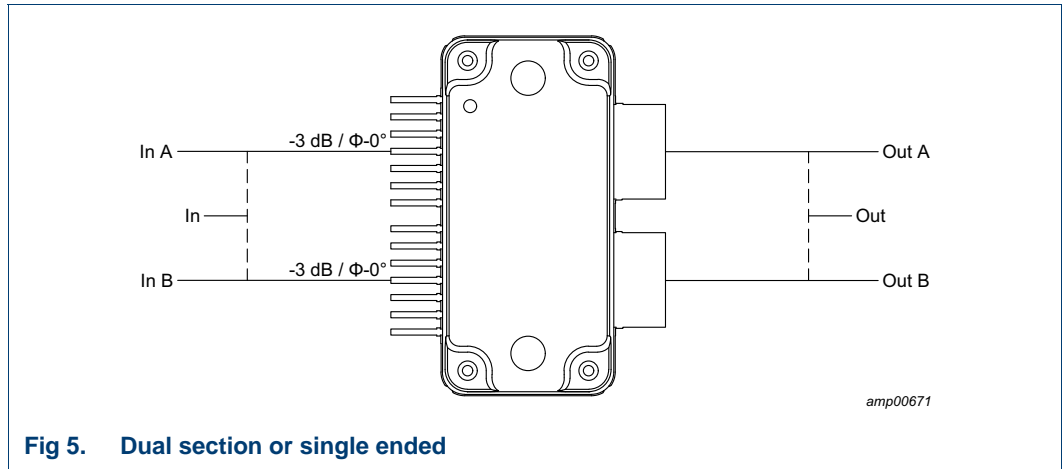


Fig 5. Dual section or single ended

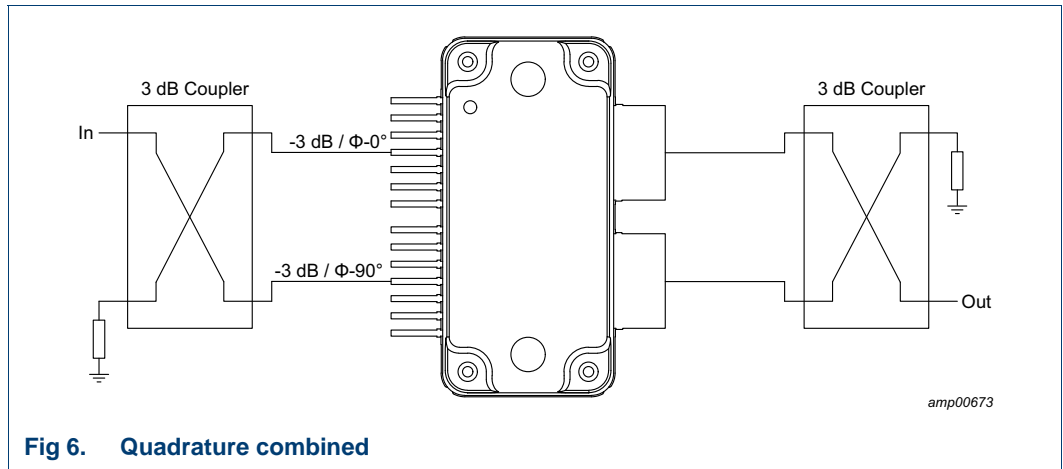


Fig 6. Quadrature combined

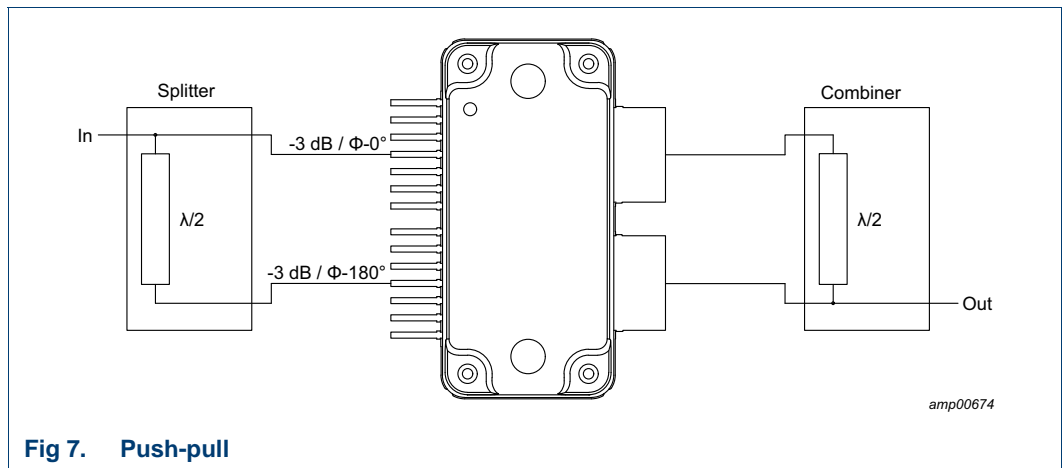


Fig 7. Push-pull

### 8.2 Ruggedness in a Doherty operation

The BLM9D1822S-60PBG is capable of withstanding a load mismatch corresponding to VSWR = 10 : 1 through all phases under the following conditions:  $V_{DS} = 32\text{ V}$ ;  $I_{Dq} = 105\text{ mA}$  (carrier);  $V_{GSq(peak)} = V_{GSq(carrier)} - 0.4\text{ V}$ ;  $P_i$  corresponding to  $P_{L(3dB)} - 5\text{ dB}$  under  $Z_S = 50\ \Omega$  load;  $f = 2000\text{ MHz}$  (1-carrier W-CDMA; PAR = 9.9 dB);  $T_{case} = 25\text{ }^\circ\text{C}$  per section unless otherwise specified.

### 8.3 Impedance information

**Table 10. Typical impedance for optimum Doherty operation**

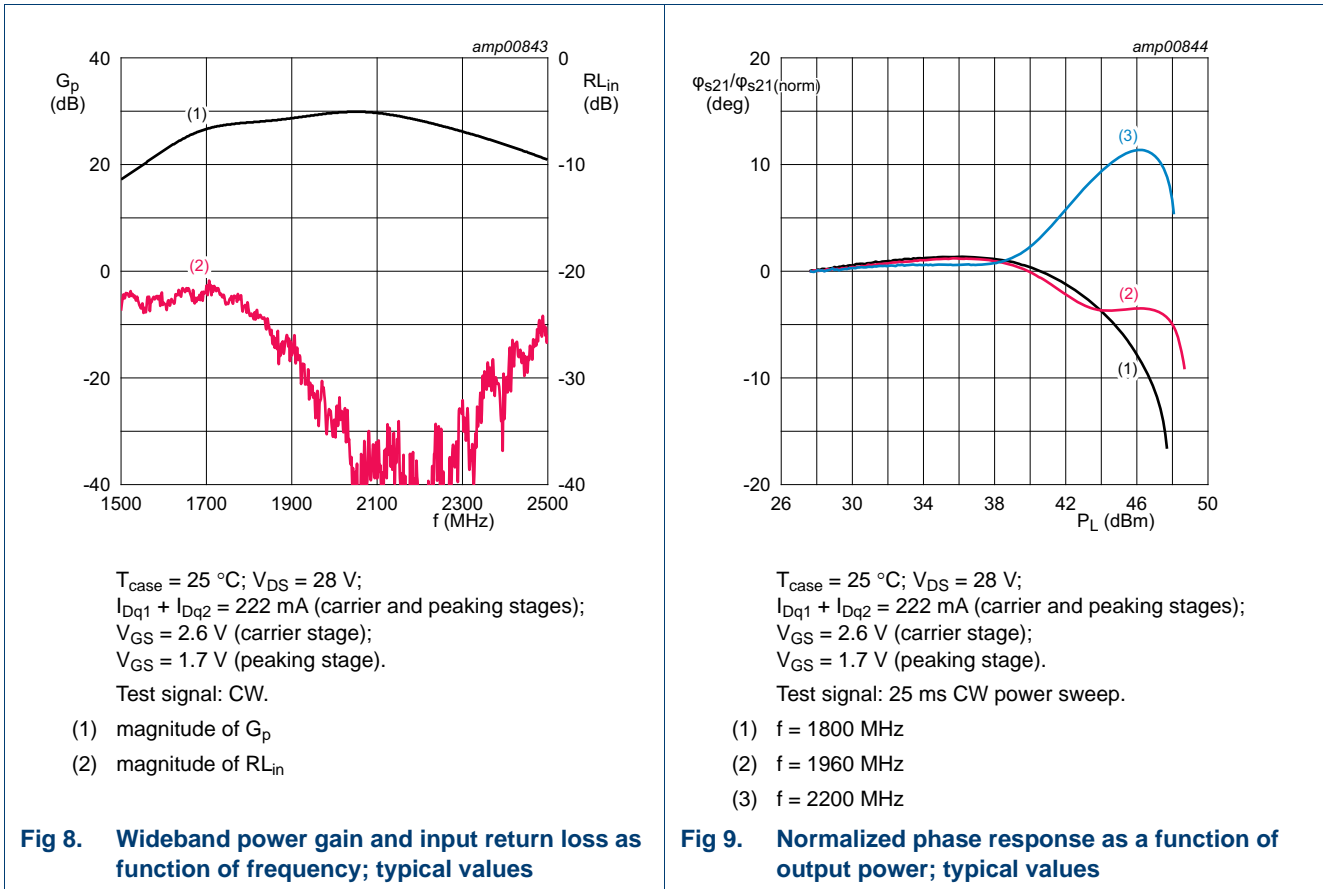
Measured load-pull data per section; test signal: pulsed CW;  $T_{case} = 25\text{ }^\circ\text{C}$ ;  $V_{DS} = 28\text{ V}$ ;  $I_{Dq} = 105\text{ mA}$  (carrier);  $V_{GSq(peak)} = V_{GSq(carrier)} - 0.4\text{ V}$ ;  $t_p = 100\ \mu\text{s}$ ;  $\delta = 10\%$ . Typical values per section unless otherwise specified.

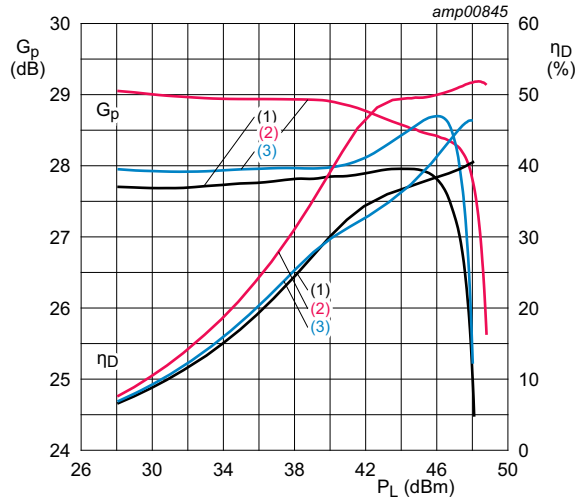
f (MHz)	tuned for optimum Doherty operation				
	$Z_L$ ( $\Omega$ )	$G_{p(max)}$ (dB)	$P_L$ (dBm)	$\eta_{add}$ [1] (%)	$\eta_{add}$ [2] (%)
1700	8.53 – j16.09	29.56	45.34	43.93	25.22
1800	11.78 – j16.68	29.24	45.45	46.98	25.25
1900	11.45 – j14.97	29.50	46.09	53.43	27.04
2000	13.24 – j14.44	30.24	46.09	56.24	27.04
2100	14.42 – j13.36	31.61	45.93	57.23	27.07
2200	19.19 – j12.70	30.90	45.69	54.20	28.75

[1] At  $P_{L(3dB)}$ .

[2] at 34 dBm.

8.4 Graphs



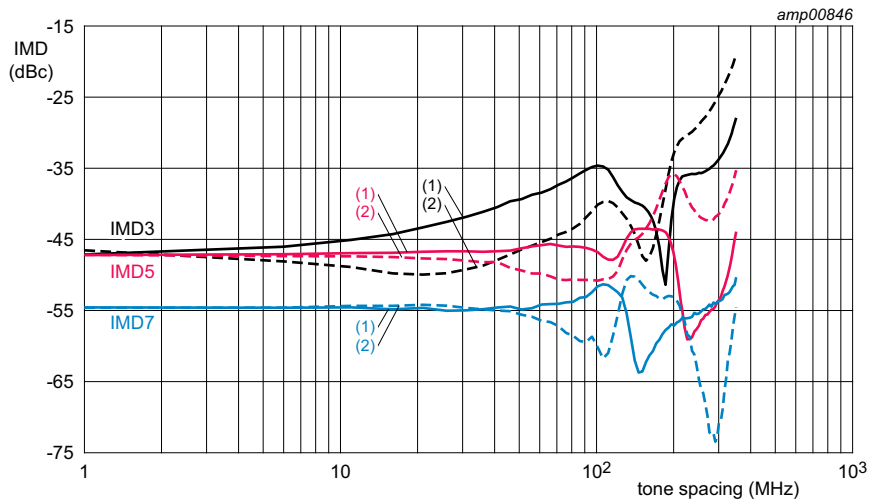


$T_{case} = 25\text{ }^\circ\text{C}$ ;  $V_{DS} = 28\text{ V}$ ;  $I_{Dq1} + I_{Dq2} = 222\text{ mA}$  (carrier and peaking stages);  
 $V_{GS} = 2.6\text{ V}$  (carrier stage);  $V_{GS} = 1.7\text{ V}$  (peaking stage).

Test signal: pulsed CW power sweep;  $\delta = 10\%$ ;  $t_p = 100\text{ }\mu\text{s}$ .

- (1)  $f = 1800\text{ MHz}$
- (2)  $f = 1960\text{ MHz}$
- (3)  $f = 2200\text{ MHz}$

Fig 10. Power gain and drain efficiency as function of output power; typical values

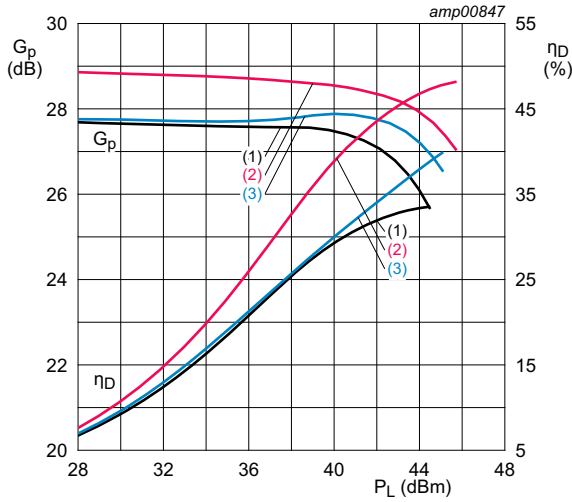


$T_{case} = 25\text{ }^\circ\text{C}$ ;  $V_{DS} = 28\text{ V}$ ;  $P_{L(AV)} = 3.16\text{ W}$ ;  $I_{Dq1} + I_{Dq2} = 222\text{ mA}$  (carrier and peaking stages);  
 $V_{GS} = 2.6\text{ V}$  (carrier stage);  $V_{GS} = 1.7\text{ V}$  (peaking stage).

Test signal: 2-tone CW;  $f_c = 1960\text{ MHz}$ .

- (1) IMD low
- (2) IMD high

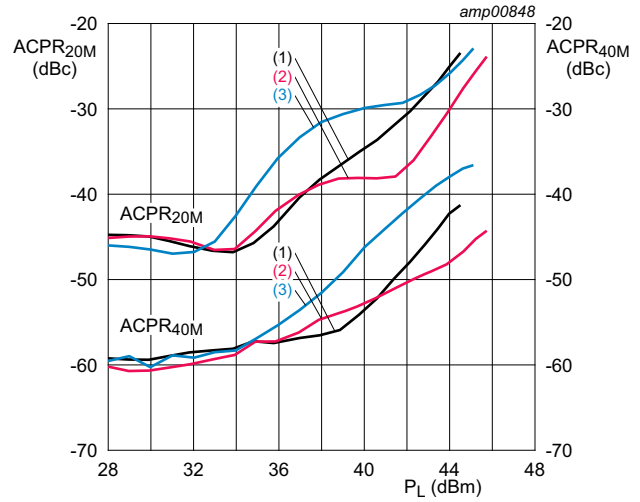
Fig 11. Intermodulation distortion as a function of tone spacing; typical values



$T_{case} = 25\text{ }^{\circ}\text{C}$ ;  $V_{DS} = 28\text{ V}$ ;  
 $I_{Dq1} + I_{Dq2} = 222\text{ mA}$  (carrier and peaking stages);  
 $V_{GS} = 2.6\text{ V}$  (carrier stage);  
 $V_{GS} = 1.7\text{ V}$  (peaking stage).  
 Test signal: 1-carrier LTE; PAR = 7.2 dB at 0.01 % probability CCDF.

- (1)  $f = 1800\text{ MHz}$
- (2)  $f = 1960\text{ MHz}$
- (3)  $f = 2200\text{ MHz}$

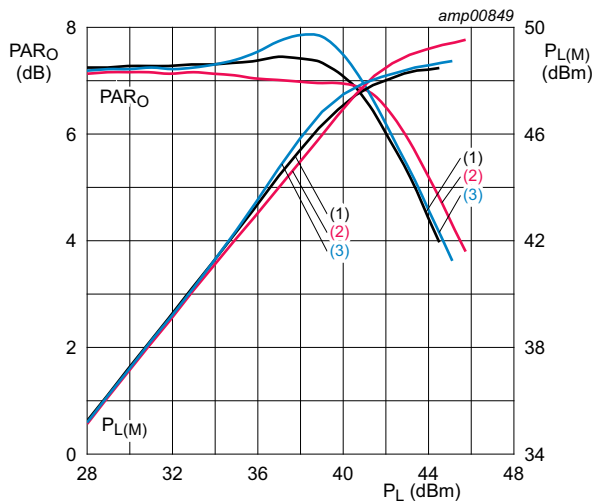
**Fig 12. Power gain and drain efficiency as function of output power; typical values**



$T_{case} = 25\text{ }^{\circ}\text{C}$ ;  $V_{DS} = 28\text{ V}$ ;  
 $I_{Dq1} + I_{Dq2} = 222\text{ mA}$  (carrier and peaking stages);  
 $V_{GS} = 2.6\text{ V}$  (carrier stage);  
 $V_{GS} = 1.7\text{ V}$  (peaking stage).  
 Test signal: 1-carrier LTE; PAR = 7.2 dB at 0.01 % probability CCDF.

- (1)  $f = 1800\text{ MHz}$
- (2)  $f = 1960\text{ MHz}$
- (3)  $f = 2200\text{ MHz}$

**Fig 13. Adjacent channel power ratio as a function of output power; typical values**



$T_{case} = 25\text{ }^{\circ}\text{C}$ ;  $V_{DS} = 28\text{ V}$ ;  $I_{Dq1} + I_{Dq2} = 222\text{ mA}$  (carrier and peaking stages);  
 $V_{GS} = 2.6\text{ V}$  (carrier stage);  $V_{GS} = 1.7\text{ V}$  (peaking stage).  
 Test signal: 1-carrier LTE; PAR = 7.2 dB at 0.01 % probability CCDF.

- (1)  $f = 1800\text{ MHz}$
- (2)  $f = 1960\text{ MHz}$
- (3)  $f = 2200\text{ MHz}$

**Fig 14. Output peak-to-average ratio and peak output power as function of output power; typical values**

9. Package outline

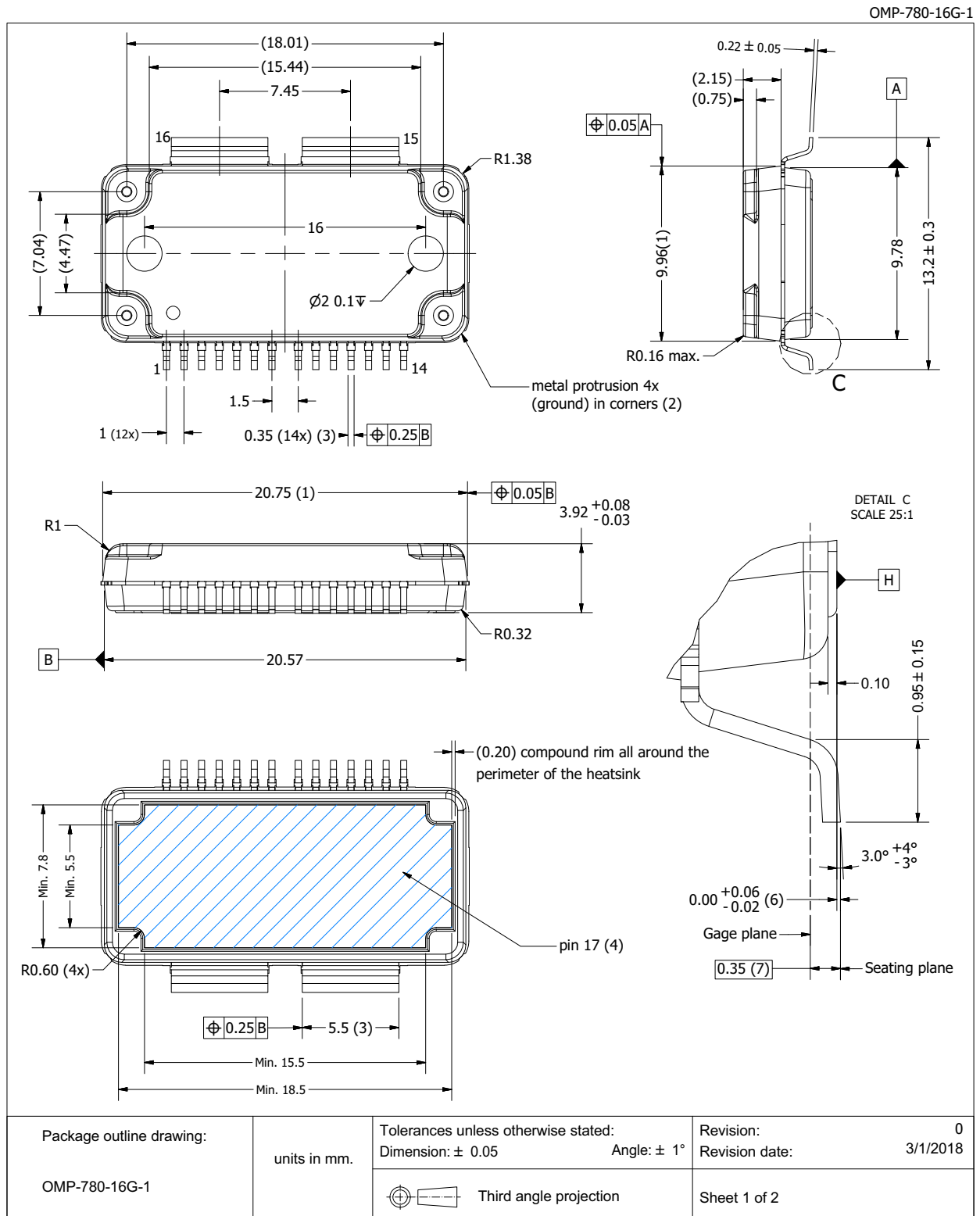
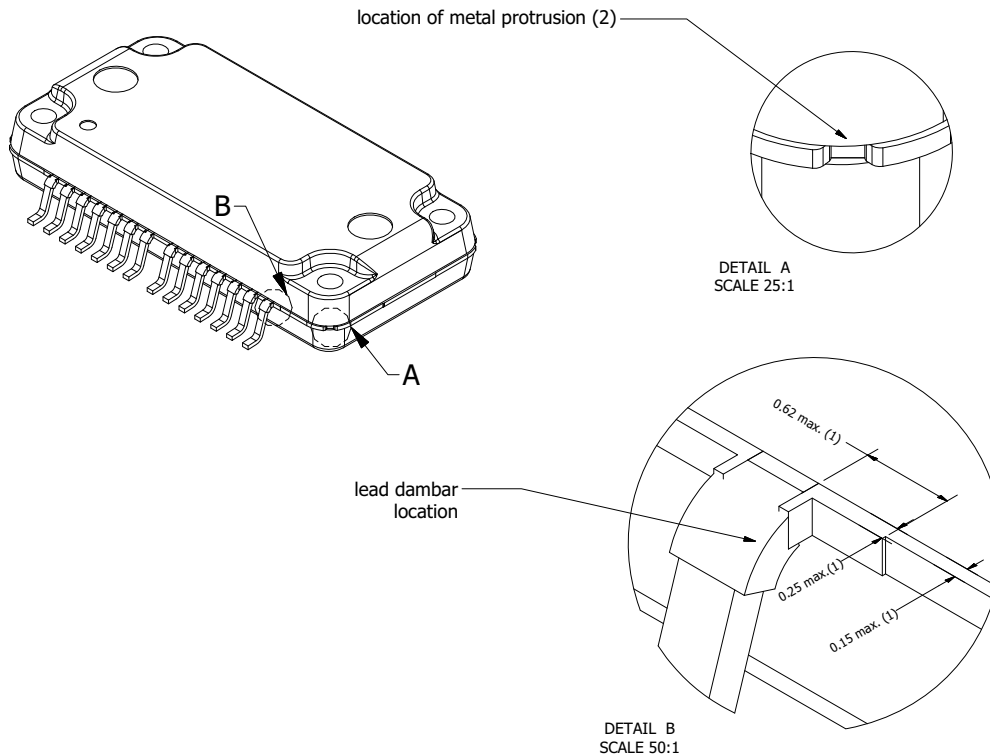


Fig 15. Package outline OMP-780-16G-1 (sheet 1 of 2)

OMP-780-16G-1


Drawing Notes	
Items	Description
(1)	Dimensions are excluding mold protrusion. Areas located adjacent to the leads have a maximum mold protrusion of 0.25 mm (per side) and 0.62 mm max. in length. In between the 14 leads the protrusion is 0.25 mm max. At all other areas the mold protrusion is maximum 0.15 mm per side. See also detail B.
(2)	The metal protrusion (tie bars) in the corner will not stick out of the molding compound protrusions (detail A).
(3)	The lead dambar (metal) protrusions are not included. Add 0.14 mm max to the total lead dimension at the dambar location.
(4)	The hatched area indicated the exposed heatsink.
(5)	The leads and exposed heatsink are plated with matte Tin (Sn).
(6)	Dimension is measured with respect to the bottom of the heatsink Datum H. Positive value means that the bottom of the heatsink is higher than the bottom of the lead.
(7)	Gage plane (foot length) to be measured from the seating plane.



Package outline drawing:	units in mm.	Tolerances unless otherwise stated: Dimension: $\pm 0.05$ Angle: $\pm 1^\circ$	Revision: 0 Revision date: 3/1/2018
OMP-780-16G-1		Third angle projection	Sheet 2 of 2

Fig 16. Package outline OMP-780-16G-1 (sheet 2 of 2)

## 10. Handling information

CAUTION	
	<p>This device is sensitive to ElectroStatic Discharge (ESD). Observe precautions for handling electrostatic sensitive devices.</p> <p>Such precautions are described in the <i>ANSI/ESD S20.20</i>, <i>IEC/ST 61340-5</i>, <i>JESD625-A</i> or equivalent standards.</p>

**Table 11. ESD sensitivity**

ESD model	Class
Charged Device Model (CDM); According to ANSI/ESDA/JEDEC standard JS-002	C2A <a href="#">[1]</a>
Human Body Model (HBM); According to ANSI/ESDA/JEDEC standard JS-001	1C <a href="#">[2]</a>

[1] CDM classification C2A is granted to any part that passes after exposure to an ESD pulse of 500 V.

[2] HBM classification 1C is granted to any part that passes after exposure to an ESD pulse of 1000 V.

## 11. Abbreviations

**Table 12. Abbreviations**

Acronym	Description
CCDF	Complementary Cumulative Distribution Function
CW	Continuous Wave
ESD	ElectroStatic Discharge
GEN9	Ninth Generation
GSM	Global System for Mobile Communication
LDMOS	Laterally Diffused Metal Oxide Semiconductor
LTE	Long Term Evolution
MMIC	Monolithic Microwave Integrated Circuit
MTF	Median Time to Failure
OBO	Output Back Off
PAR	Peak-to-Average Ratio
RoHS	Restriction of Hazardous Substances
SMD	Surface Mounted Device
VSWR	Voltage Standing Wave Ratio
W-CDMA	Wideband Code Division Multiple Access

## 12. Revision history

**Table 13. Revision history**

Document ID	Release date	Data sheet status	Change notice	Supersedes
BLM9D1822S-60PBG v.3	20210416	Product data sheet	-	BLM9D1822S-60PBG v.2
Modifications	<ul style="list-style-type: none"> <li><a href="#">Section 8.2 on page 8</a>: text updated</li> </ul>			
BLM9D1822S-60PBG v.2	20190419	Product data sheet	-	BLM9D1822S-60PBG v.1
BLM9D1822S-60PBG v.1	20181220	Product data sheet	-	-

## 13. Legal information

### 13.1 Data sheet status

Document status <sup>[1][2]</sup>	Product status <sup>[3]</sup>	Definition
Objective [short] data sheet	Development	This document contains data from the objective specification for product development.
Preliminary [short] data sheet	Qualification	This document contains data from the preliminary specification.
Product [short] data sheet	Production	This document contains the product specification.

[1] Please consult the most recently issued document before initiating or completing a design.

[2] The term 'short data sheet' is explained in section "Definitions".

[3] The product status of device(s) described in this document may have changed since this document was published and may differ in case of multiple devices. The latest product status information is available on the Internet at URL <http://www.ampleon.com>.

### 13.2 Definitions

**Draft** — The document is a draft version only. The content is still under internal review and subject to formal approval, which may result in modifications or additions. Ampleon does not give any representations or warranties as to the accuracy or completeness of information included herein and shall have no liability for the consequences of use of such information.

**Short data sheet** — A short data sheet is an extract from a full data sheet with the same product type number(s) and title. A short data sheet is intended for quick reference only and should not be relied upon to contain detailed and full information. For detailed and full information see the relevant full data sheet, which is available on request via the local Ampleon sales office. In case of any inconsistency or conflict with the short data sheet, the full data sheet shall prevail.

**Product specification** — The information and data provided in a Product data sheet shall define the specification of the product as agreed between Ampleon and its customer, unless Ampleon and customer have explicitly agreed otherwise in writing. In no event however, shall an agreement be valid in which the Ampleon product is deemed to offer functions and qualities beyond those described in the Product data sheet.

**Right to make changes** — Ampleon reserves the right to make changes to information published in this document, including without limitation specifications and product descriptions, at any time and without notice. This document supersedes and replaces all information supplied prior to the publication hereof.

**Suitability for use** — Ampleon products are not designed, authorized or warranted to be suitable for use in life support, life-critical or safety-critical systems or equipment, nor in applications where failure or malfunction of an Ampleon product can reasonably be expected to result in personal injury, death or severe property or environmental damage. Ampleon and its suppliers accept no liability for inclusion and/or use of Ampleon products in such equipment or applications and therefore such inclusion and/or use is at the customer's own risk.

**Applications** — Applications that are described herein for any of these products are for illustrative purposes only. Ampleon makes no representation or warranty that such applications will be suitable for the specified use without further testing or modification.

Customers are responsible for the design and operation of their applications and products using Ampleon products, and Ampleon accepts no liability for any assistance with applications or customer product design. It is customer's sole responsibility to determine whether the Ampleon product is suitable and fit for the customer's applications and products planned, as well as for the planned application and use of customer's third party customer(s). Customers should provide appropriate design and operating safeguards to minimize the risks associated with their applications and products.

Ampleon does not accept any liability related to any default, damage, costs or problem which is based on any weakness or default in the customer's applications or products, or the application or use by customer's third party customer(s). Customer is responsible for doing all necessary testing for the customer's applications and products using Ampleon products in order to avoid a default of the applications and the products or of the application or use by customer's third party customer(s). Ampleon does not accept any liability in this respect.

**Limiting values** — Stress above one or more limiting values (as defined in the Absolute Maximum Ratings System of IEC 60134) will cause permanent damage to the device. Limiting values are stress ratings only and (proper) operation of the device at these or any other conditions above those given in the Recommended operating conditions section (if present) or the Characteristics sections of this document is not warranted. Constant or repeated exposure to limiting values will permanently and irreversibly affect the quality and reliability of the device.

**Terms and conditions of commercial sale** — Ampleon products are sold subject to the general terms and conditions of commercial sale, as published at <http://www.ampleon.com/terms>, unless otherwise agreed in a valid written individual agreement. In case an individual agreement is concluded only the terms and conditions of the respective agreement shall apply. Ampleon hereby expressly objects to applying the customer's general terms and conditions with regard to the purchase of Ampleon products by customer.

### 13.3 Disclaimers

**Maturity** — The information in this document can only be regarded as final once the relevant product(s) has passed the Release Gate in Ampleon's release process. Prior to such release this document should be regarded as a draft version.

**Limited warranty and liability** — Information in this document is believed to be accurate and reliable. However, Ampleon does not give any representations or warranties, expressed or implied, as to the accuracy or completeness of such information and shall have no liability for the consequences of use of such information. Ampleon takes no responsibility for the content in this document if provided by an information source outside of Ampleon.

In no event shall Ampleon be liable for any indirect, incidental, punitive, special or consequential damages (including - without limitation - lost profits, lost savings, business interruption, costs related to the removal or replacement of any products or rework charges) whether or not such damages are based on tort (including negligence), warranty, breach of contract or any other legal theory.

Notwithstanding any damages that customer might incur for any reason whatsoever, Ampleon's aggregate and cumulative liability towards customer for the products described herein shall be limited in accordance with the *Terms and conditions of commercial sale* of Ampleon.

**No offer to sell or license** — Nothing in this document may be interpreted or construed as an offer to sell products that is open for acceptance or the grant, conveyance or implication of any license under any copyrights, patents or other industrial or intellectual property rights.

**Export control** — This document as well as the item(s) described herein may be subject to export control regulations. Export might require a prior authorization from competent authorities.

**Non-automotive qualified products** — Unless this data sheet expressly states that this specific Ampleon product is automotive qualified, the product is not suitable for automotive use. It is neither qualified nor tested in accordance with automotive testing or application requirements. Ampleon accepts no liability for inclusion and/or use of non-automotive qualified products in automotive equipment or applications.

In the event that customer uses the product for design-in and use in automotive applications to automotive specifications and standards, customer (a) shall use the product without Ampleon's warranty of the product for such

automotive applications, use and specifications, and (b) whenever customer uses the product for automotive applications beyond Ampleon's specifications such use shall be solely at customer's own risk, and (c) customer fully indemnifies Ampleon for any liability, damages or failed product claims resulting from customer design and use of the product for automotive applications beyond Ampleon's standard warranty and Ampleon's product specifications.

**Translations** — A non-English (translated) version of a document is for reference only. The English version shall prevail in case of any discrepancy between the translated and English versions.

## 13.4 Trademarks

Notice: All referenced brands, product names, service names and trademarks are the property of their respective owners.

## 14. Contact information

---

For more information, please visit: <http://www.ampleon.com>

For sales office addresses, please visit: <http://www.ampleon.com/sales>

## 15. Contents

---

<b>1</b>	<b>Product profile</b> .....	<b>1</b>
1.1	General description .....	1
1.2	Features and benefits .....	1
1.3	Applications .....	1
<b>2</b>	<b>Pinning information</b> .....	<b>2</b>
2.1	Pinning .....	2
2.2	Pin description .....	2
<b>3</b>	<b>Ordering information</b> .....	<b>3</b>
<b>4</b>	<b>Block diagram</b> .....	<b>3</b>
<b>5</b>	<b>Limiting values</b> .....	<b>3</b>
<b>6</b>	<b>Thermal characteristics</b> .....	<b>4</b>
<b>7</b>	<b>Characteristics</b> .....	<b>4</b>
<b>8</b>	<b>Application information</b> .....	<b>4</b>
8.1	Possible circuit topologies .....	7
8.2	Ruggedness in a Doherty operation .....	8
8.3	Impedance information .....	8
8.4	Graphs .....	9
<b>9</b>	<b>Package outline</b> .....	<b>12</b>
<b>10</b>	<b>Handling information</b> .....	<b>14</b>
<b>11</b>	<b>Abbreviations</b> .....	<b>14</b>
<b>12</b>	<b>Revision history</b> .....	<b>14</b>
<b>13</b>	<b>Legal information</b> .....	<b>15</b>
13.1	Data sheet status .....	15
13.2	Definitions .....	15
13.3	Disclaimers .....	15
13.4	Trademarks .....	16
<b>14</b>	<b>Contact information</b> .....	<b>16</b>
<b>15</b>	<b>Contents</b> .....	<b>17</b>

---

Please be aware that important notices concerning this document and the product(s) described herein, have been included in section 'Legal information'.

---

© Ampleon Netherlands B.V. 2021. All rights reserved.

For more information, please visit: <http://www.ampleon.com>  
 For sales office addresses, please visit: <http://www.ampleon.com/sales>

Date of release: 16 April 2021

Document identifier: BLM9D1822S-60PBG

## Looking for pricing, stock, or lifecycle information?

Click below to explore more details on WIN SOURCE:

- ⊖ [View BLM9D1822S-60PBG on WIN SOURCE](#)
- ⊖ [Ampleon USA Inc. Information](#)

## Optimize Your Supply Chain with WIN SOURCE Solutions

- ✓ Global Sourcing Solution
- ✓ Obsolete Management
- ✓ Cost Control Management
- ✓ Shortage Management
- ✓ Alternative Solution
- ✓ Excess Inventory Management