

Downloaded By: Heckman, Steven - 03/19/2023, 19:29:42 HEC: EAR99 TEC: EAR99 GOV: ESO1.0

HONEYWELL
PART NUMBER
3090A

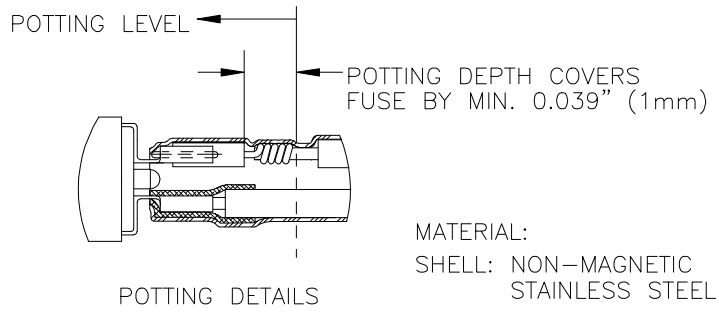
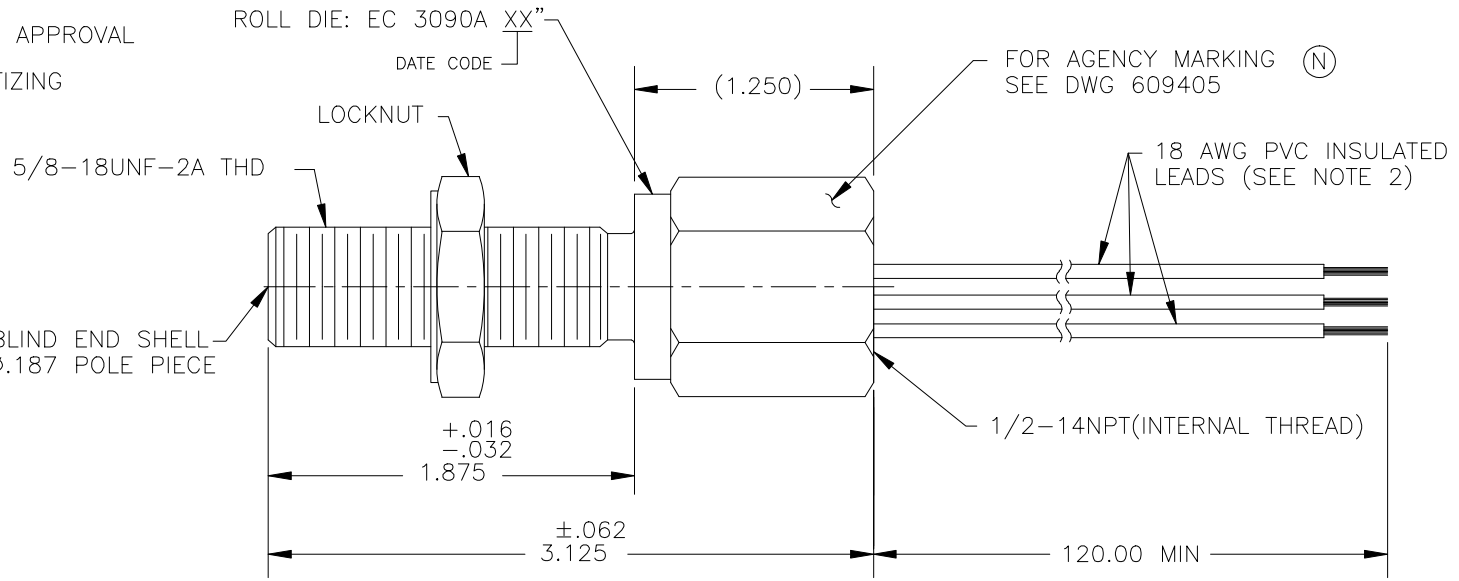
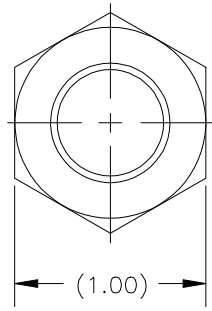
SPECIFICATION DATA	
PARAMETER	VALUE
OUTPUT VOLTAGE	60V Pk-Pk MIN
COIL RESISTANCE	280 OHMS MAX (L)
INDUCTANCE	115mH MAX @ 1KHz
DIELECTRIC STRENGTH	1296VAC RMS AT 60HZ FOR 1 SEC NDT TO EXCEED 100V PER SECOND
LEAKAGE RESISTANCE	100 MEGOHMS MINIMUM
TEMPERATURE LIMITS	-100°F TO +200°F
GROUND	GND TEST TO SHELL

NOTES:

- TESTED AT 1000 I.P.S. WITH A 8 PITCH, 12 TOOTH GEAR AT .005 INCH CLEARANCE AND A LOAD OF 100K OHMS.
- POLARITY:WHEN FERROUS METAL ENTERS MAGNETIC FIELD,WHITE LEAD WILL BE POSITIVE WITH RESPECT TO BLACK LEAD.GREEN GROUND WIRE IS SOLDERED TO INSIDE WALL OF SHELL HOUSING.
- THE MAGNETIC SENSOR MUST BE INSTALLED SUCH THAT THE LEADS ARE PROTECTED AGAINST MECHANICAL DAMAGE AND THE LEADS MUST BE TERMINATED AND PROTECTED IN A MANNER SUITABLE FOR THE ZONE OF INSTALLATION.(E.g.HAZARDOUS AREA PROTECTION.)
- THE GREEN LEAD IS DIRECTLY CONNECTED TO THE METAL ENCLOSURE OF THE MAGNETIC SENSOR. THE REMAINING TWO LEADS MUST BE INSTALLED SUCH THAT THE CIRCUIT IS CAPABLE OF WITHSTANDING A 500V TEST TO THE

REV	DOCUMENT	CHANGED BY	CHECK
P	0127802	SRA 22FEB16	LR

NOTE: DO NOT ECR WITHOUT AGENCY APPROVAL
DO NOT SHORT LEADS WHEN MAGNETIZING



DESIGN UNITS: INCH			
TOLERANCES UNLESS NOTED:			
NO PLACES	X	±	1.000
ONE PLACE	X	±	0.20
TWO PLACE	.XX	±	0.03
THREE PLACE	.XXX	±	0.010
ANGLES	X	±	5°
THIRD ANGLE PROJECTION			


DRAWN	MRT	2/3/79
CHECK	PL	2/10/79
THIS DRAWING COVERS A PROPRIETARY ITEM AND IS THE PROPERTY OF HONEYWELL. THIS DRAWING IS NOT TO BE COPIED OR USED WITHOUT THE PERMISSION OF HONEYWELL.		
INTERPRET PER ASME Y14.5M-1994 OTHER HONEYWELL ENGINEERING STANDARDS MAY APPLY		
AutoCAD		

Honeywell				
TITLE VRS SENSOR AGENCY LISTED				
SIZE	TYPE	CAGE CODE	DRAWING NAME	REV
B	I	81692	3090A	P
SCALE NONE			SHEET	1 OF 1

Honeywell Proprietary & Confidential

Looking for pricing, stock, or lifecycle information?

Click below to explore more details on WIN SOURCE:

 [View 3090A on WIN SOURCE](#)

 [Honeywell Information](#)

Optimize Your Supply Chain with WIN SOURCE Solutions

-  Global Sourcing Solution
-  Obsolete Management
-  Cost Control Management
-  Shortage Management
-  Alternative Solution
-  Excess Inventory Management