

7500 SSD Series (PCIe® Gen4)

For additional technical and warranty information, contact your Micron sales representative.

Features

- Micron® 3D TLC NAND Flash
- PCI Express Gen4
 - U.3 single port (x4) backwards compatible with U.2
- NVMe Express:
 - NVMe 2.0b Base Specification
 - NVMe-MI 1.2b Specification
 - Number of name spaces supported: 128
 - Weighted round robin with urgent arbitration supported
- OCP 2.0 Datacenter NVMe SSD Specification
- TCG Storage Security Subsystem Class: Opal Rev 2.01
- Capacity (unformatted)
 - 7500 PRO U.3: 960GB, 1920GB, 3840GB, 7680GB, 15,360GB
 - 7500 MAX U.3: 800GB, 1600GB, 3200GB, 6400GB, 12,800GB
- Endurance: Total bytes written (TBW)
 - 7500 PRO: Up to 28,032TB at 1 DWPD
 - 7500 MAX: Up to 70,080TB at 3 DWPD
- Enterprise sector size support = 512, 4096-byte sector size (configurable)
- Security
 - Digitally signed firmware
- Surprise insertion/surprise removal (SISR) and hot-plug capable
- Self-monitoring, analysis, and reporting technology (SMART)
- Field-upgradeable firmware with support for activate without reset
- Performance¹
 - Sequential 128KB READ: Up to 7000 MB/s
 - Sequential 128KB WRITE: Up to 5900 MB/s
 - Random 4KB READ: Up to 1,100,000 IOPS
 - Random 4KB WRITE: Up to 410,000 IOPS
- Latency^{2,3}
 - READ (TYP): 80µs
 - WRITE (TYP): 15µs
- Reliability
 - MTTF: 2.0M hours @ 0–55°C and 2.5M hours @ 0–50°C⁴
 - Static and dynamic wear leveling
 - Uncorrectable bit error rate (UBER): <1 sector per 10¹⁸ bits read
 - OCP 2.0-compliant end-to-end data protection
 - Enterprise power-loss protection

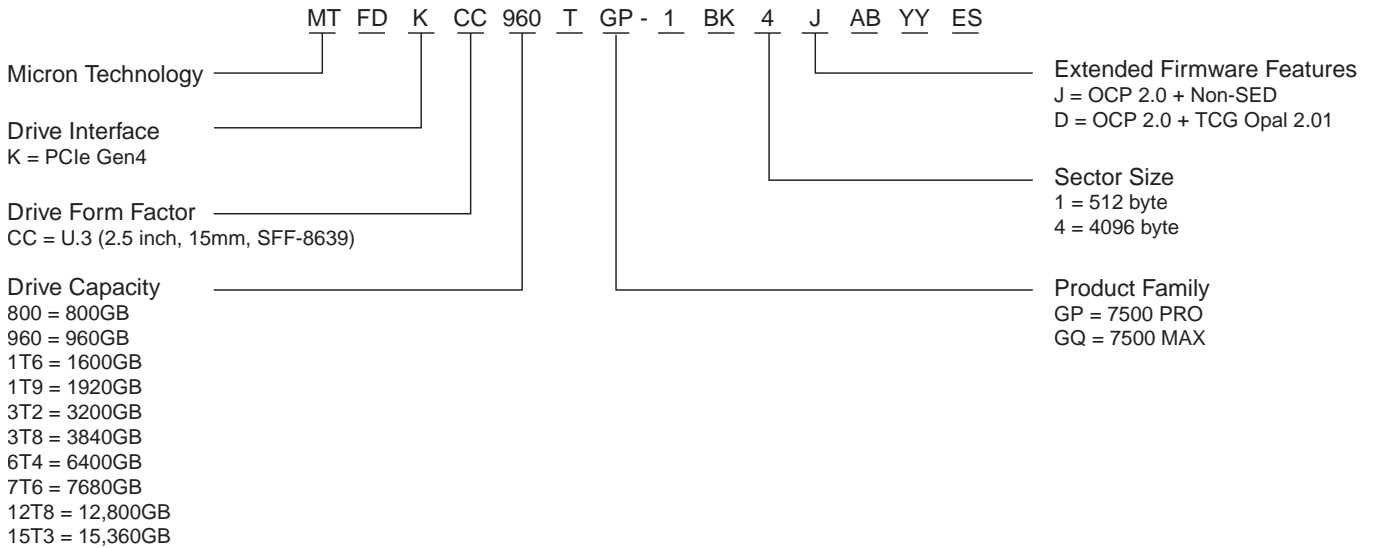
- Operating temperature⁵
 - Commercial (0°C to +70°C)
- Form factor
 - U.3: 100.45 x 70.10 x 15.00mm
- Electrical specification
 - U.3 power supply: 12V ±10%
 - U.3 AUX supply: 3.3V ±10%

- Notes: 1. Steady state as defined by SNIA Solid State Storage Performance Test Specification Enterprise v1.1.
2. 4KB, queue depth 1 transfers used for READ/WRITE latency values.
3. TYP: Median, 50th percentile
4. Product achieves MTTF based on population statistics not relevant to individual units.
5. Temperature measured by SMART.

Part Numbering Information

Micron 7500 SSDs are available in different configurations and capacities. The chart below is a comprehensive list of options; not all options listed can be combined to define an offered product. Visit <https://www.micron.com> for a list of valid part numbers.

Figure 1: Part Number



Important Notes and Warnings

Micron Technology, Inc. ("Micron") reserves the right to make changes to information published in this document, including without limitation specifications and product descriptions. This document supersedes and replaces all information supplied prior to the publication hereof. You may not rely on any information set forth in this document if you obtain the product described herein from any unauthorized distributor or other source not authorized by Micron.

Automotive Applications. Products are not designed or intended for use in automotive applications unless specifically designated by Micron as automotive-grade by their respective data sheets. Distributor and customer/distributor shall assume the sole risk and liability for and shall indemnify and hold Micron harmless against all claims, costs, damages, and expenses and reasonable attorneys' fees arising out of, directly or indirectly, any claim of product liability, personal injury, death, or property damage resulting directly or indirectly from any use of non-automotive-grade products in automotive applications. Customer/distributor shall ensure that the terms and conditions of sale between customer/distributor and any customer of distributor/customer (1) state that Micron products are not designed or intended for use in automotive applications unless specifically designated by Micron as automotive-grade by their respective data sheets and (2) require such customer of distributor/customer to indemnify and hold Micron harmless against all claims, costs, damages, and expenses and reasonable attorneys' fees arising out of, directly or indirectly, any claim of product liability, personal injury, death, or property damage resulting from any use of non-automotive-grade products in automotive applications.

Critical Applications. Products are not authorized for use in applications in which failure of the Micron component could result, directly or indirectly in death, personal injury, or severe property or environmental damage ("Critical Applications"). Customer must protect against death, personal injury, and severe property and environmental damage by incorporating safety design measures into customer's applications to ensure that failure of the Micron component will not result in such harms. Should customer or distributor purchase, use, or sell any Micron component for any critical application, customer and distributor shall indemnify and hold harmless Micron and its subsidiaries, subcontractors, and affiliates and the directors, officers, and employees of each against all claims, costs, damages, and expenses and reasonable attorneys' fees arising out of, directly or indirectly, any claim of product liability, personal injury, or death arising in any way out of such critical application, whether or not Micron or its subsidiaries, subcontractors, or affiliates were negligent in the design, manufacture, or warning of the Micron product.

Customer Responsibility. Customers are responsible for the design, manufacture, and operation of their systems, applications, and products using Micron products. ALL SEMICONDUCTOR PRODUCTS HAVE INHERENT FAILURE RATES AND LIMITED USEFUL LIVES. IT IS THE CUSTOMER'S SOLE RESPONSIBILITY TO DETERMINE WHETHER THE MICRON PRODUCT IS SUITABLE AND FIT FOR THE CUSTOMER'S SYSTEM, APPLICATION, OR PRODUCT. Customers must ensure that adequate design, manufacturing, and operating safeguards are included in customer's applications and products to eliminate the risk that personal injury, death, or severe property or environmental damages will result from failure of any semiconductor component.

Limited Warranty. In no event shall Micron be liable for any indirect, incidental, punitive, special or consequential damages (including without limitation lost profits, lost savings, business interruption, costs related to the removal or replacement of any products or rework charges) whether or not such damages are based on tort, warranty, breach of contract or other legal theory, unless explicitly stated in a written agreement executed by Micron's duly authorized representative.

Performance

Measured performance can vary for a number of reasons. The major factors affecting drive performance are the capacity of the drive and the interface of the host. Additionally, overall system performance can affect the measured drive performance. When comparing drives, it is recommended that all system variables are the same, and only the drive being tested varies. Performance numbers will vary depending on the host system configuration.

Table 1: Drive Performance – PRO

Parameter Power State 0		U.3					Unit
		960GB	1920GB	3840GB	7680GB	15,360GB	
Sequential (128KB transfer)	Read	6800	6800	6800	7000	7000	MB/s
	Write	1400	2700	5300	5900	5900	
Random (4KB transfer)	Read	800	1000	1100	1100	1100	KIOPS
	Write	85	145	180	215	250	
	70/30 Read/Write	130	260	350	450	530	
Latency	READ (TYP)	70	70	70	70	70	µs
	WRITE (TYP)	15	15	15	15	15	
	READ (99%)	80	80	80	80	80	
	WRITE (99%)	65	65	65	65	65	

Notes: 1. Performance values measured under the following conditions:

- Steady state as defined by SNIA Solid State Storage Performance Test Specification Enterprise v1.1
- 4K sector size
- Drive write cache enabled
- NVMe power state 0
- Sequential workloads measured using FIO with a queue depth of 32
- Random READ workloads measured using FIO with a queue depth of 256
- Random WRITE workloads measured using FIO with a queue depth of 128

2. Performance values measured with the following system configuration:

- Generic X570 Motherboard
- AMD Ryzen 7 3700X 8-Core CPU @ 2.6 GHz
- DDR4 16GB @ 3200 MHz

3. Latency values measured under the following configuration:

- Random workloads using FIO with 4KB transfers and a queue depth of 1
- TYP = median, 50th percentile

4. System variations will affect measured results.

Table 2: Drive Performance – MAX

Parameter Power State 0		U.3					Unit
		800GB	1600GB	3200GB	6400GB	12,800GB	
Sequential (128KB transfer)	Read	6800	6800	6800	7000	7000	MB/s
	Write	1400	2700	5300	5900	5900	
Random (4KB transfer)	Read	800	1000	1100	1100	1100	KIOPS
	Write	145	270	390	400	410	
	70/30 Read/Write	200	370	510	650	700	
Latency	READ (TYP)	70	70	70	70	70	μs
	WRITE (TYP)	15	15	15	15	15	
	READ (99%)	80	80	80	80	80	
	WRITE (99%)	65	65	65	65	65	

Notes: 1. Performance values measured under the following conditions:

- Steady state as defined by SNIA Solid State Storage Performance Test Specification Enterprise v1.1
- 4K sector size
- Drive write cache enabled
- NVMe power state 0
- Sequential workloads measured using FIO with a queue depth of 32
- Random READ workloads measured using FIO with a queue depth of 256
- Random WRITE workloads measured using FIO with a queue depth of 128

2. Performance values measured with the following system configuration:

- Generic X570 Motherboard
- AMD Ryzen 7 3700X 8-Core CPU @ 2.6 GHz
- DDR4 16GB @ 3200 MHz

3. Latency values measured under the following configuration:

- Random workloads using FIO with 4KB transfers and a queue depth of 1
- TYP = median, 50th percentile

4. System variations will affect measured results.

Endurance

SSD endurance is dependent on many factors. While actual endurance varies depending on conditions, the drive lifetime can be estimated based on capacity, assumed fixed-use models, ECC, and formatted sector size.

Lifetime estimates for the device are shown in the following tables in total bytes written.

Table 3: Total Bytes Written

Model	Capacity (GB)	4K Random Total Bytes Written (TB)
PRO	960	1752
	1920	3504
	3840	7008
	7680	14,016
	15,360	28,032
MAX	800	4380
	1600	8760
	3200	17,520
	6400	35,040
	12,800	70,080

- Notes: 1. Values represent the theoretical maximum endurance for the given transfer size and type. Actual lifetime will vary by workload. Refer to Percentage Used in the SMART/Health Information (Log Identifier 02h) to check the device life used.
2. Total bytes written calculated assuming drive is 100% full (user capacity) with workload of 100% random aligned 4KB writes.

Electrical Characteristics

Table 4: Power Consumption – PRO

Parameter Power State 0	Capacity (GB)					Unit
	U.3					
	960	1920	3840	7680	15,360	
Active read (maximum RMS)	12.3	12.6	12.8	13.5	15.5	W
Active write (maximum RMS)	7.3	10.1	15.5	17.5	18.3	W
128K sequential read (average RMS)	12.3	12.6	12.8	13.5	15.5	W
128K sequential write (average RMS)	7.3	10.1	15.5	17.5	18.3	W
4K random read (average RMS)	7.8	8.9	9.1	9.9	13	W
4K random write (average RMS)	7.6	10.2	12.2	13.1	14	W
Idle (average RMS)	5	5	5	5	5	W

Notes: 1. Power limiting is configured through Set/Get Features Power Management.

2. Power consumption measurements are for reference only; actual workload power consumption will vary.

Table 5: Power Consumption – MAX

Parameter Power State 0	Capacity (GB)					Unit
	U.3					
	800	1600	3200	6400	12,800	
Active read (maximum RMS)	12.3	12.6	12.8	13.5	15.5	W
Active write (maximum RMS)	7.3	10.1	15.5	17.5	18.3	W
128K sequential read (average RMS)	12.3	12.6	12.8	13.5	15.5	W
128K sequential write (average RMS)	7.3	10.1	15.5	17.5	18.3	W
4K random read (average RMS)	7.8	8.9	9.1	9.9	13	W
4K random write (average RMS)	7.6	10.2	12.2	13.1	14	W
Idle (average RMS)	5	5	5	5	5	W

Notes: 1. Power limiting is configured through Set/Get Features Power Management.

2. Power consumption measurements are for reference only; actual workload power consumption will vary.

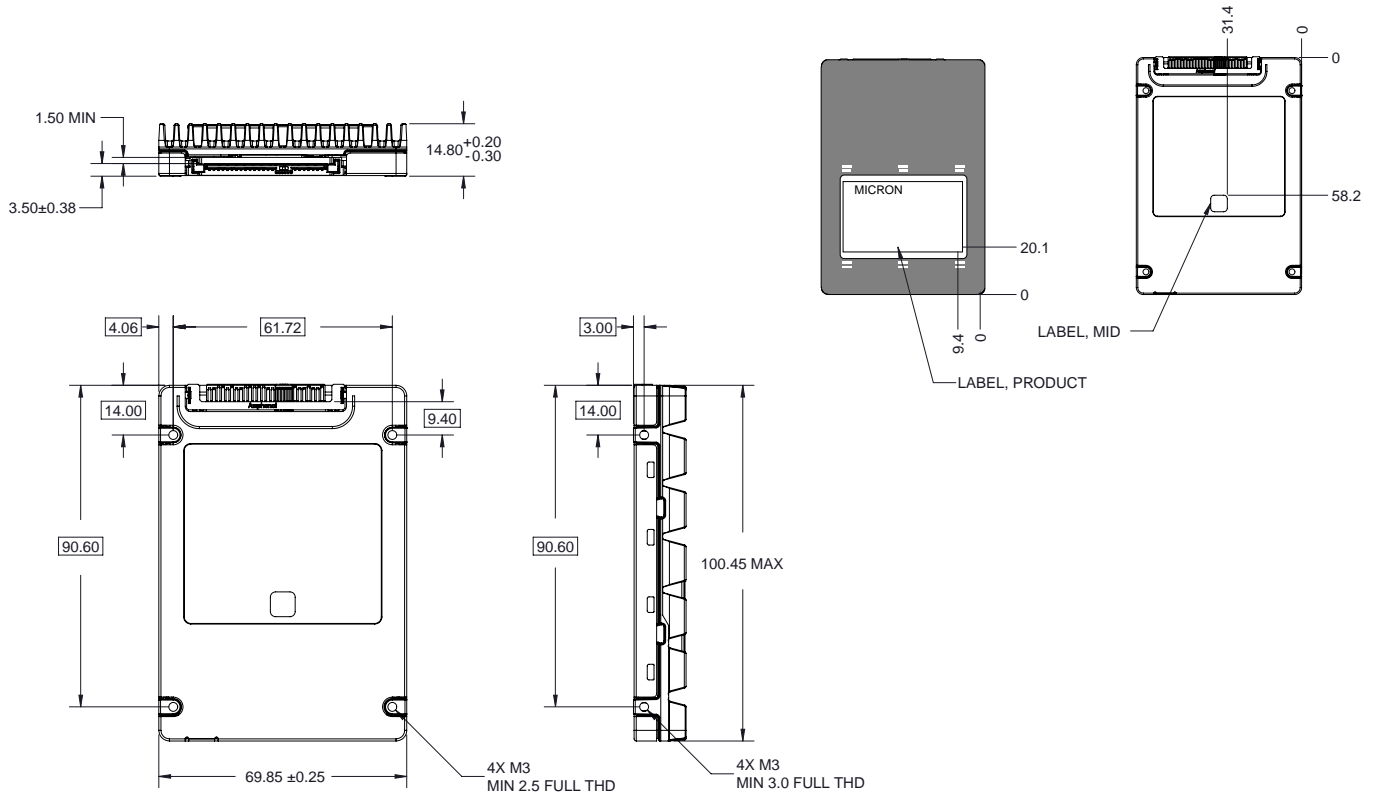
Table 6: Operating Voltage – U.3

Power Rail	Electrical Parameter	Value
12V	Operating voltage	12 Vdc ($\pm 10\%$)
	MIN/MAX rise time	0.1ms/100ms
	Fall time	<5s
	MIN power-off time	50ms
	Inrush current (typical peak)	2.0A
	MAX average current (RMS)	1.3A
3.3 V _{AUX}	Operating voltage	3.3 Vdc ($\pm 10\%$)
	MIN/MAX rise time	1ms/50ms
	MIN/MAX fall time	1ms/5s
	MAX average current	20mA

Physical Configuration

U.3 Enterprise PCIe (SFF - 8201 and SFF - 8223)

Figure 2: U.3 15mm Nominal Dimensions



Note: 1. All dimensions are in millimeters.

Table 7: U.3 Enterprise PCIe Maximum Dimensions

Form Factor	Width	Length	Height	Unit
U.3	70.10	100.45	15.00	mm

Note: 1. Dimension values per SFF - 8201, Revision 3.4 and SFF - 8223 Revision 2.7.

FCC Rules

This equipment has been tested and found to comply with the limits for a Class A digital device, pursuant to part 15 of the FCC Rules. These limits are designed to provide reasonable protection against harmful interference when the equipment is operated in a commercial environment. This equipment generates, uses, and can radiate radio frequency energy and, if not installed and used in accordance with the instruction manual, may cause harmful interference to radio communications. Operation of this equipment in a residential area is likely to cause harmful interference in which case the user will be required to correct the interference at his own expense.

- Reorient or relocate the receiving antenna.
- Increase the separation between the equipment and the receiver.
- Connect the equipment into an outlet on a circuit different from that to which the receiver is connected.
- Consult the dealer or an experienced radio/TV technician for help.

Revision History

Rev. A – 10/2023

- Initial release

8000 S. Federal Way, P.O. Box 6, Boise, ID 83707-0006
208-368-4000, micron.com/support

Micron and the Micron logo are trademarks of Micron Technology, Inc.
All other trademarks are the property of their respective owners.

This data sheet contains minimum and maximum limits specified over the power supply and temperature range set forth herein.
Although considered final, these specifications are subject to change, as further product development and data characterization sometimes occur.

Looking for pricing, stock, or lifecycle information?

Click below to explore more details on WIN SOURCE:

- ⊖ [View MTFDKCC12T8TGQ-1BK1JABYY on WIN SOURCE](#)
- ⊖ [Micron Technology Inc. Information](#)

Optimize Your Supply Chain with WIN SOURCE Solutions

- ✓ Global Sourcing Solution
- ✓ Obsolete Management
- ✓ Cost Control Management
- ✓ Shortage Management
- ✓ Alternative Solution
- ✓ Excess Inventory Management