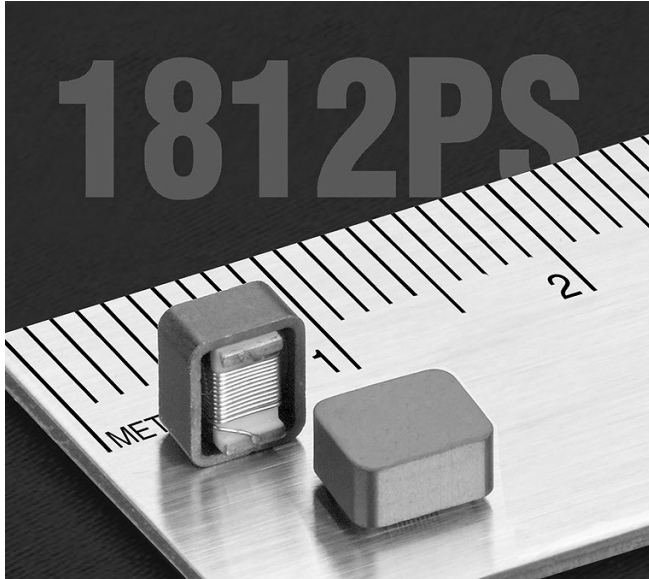




Shielded High SRF Inductors – 1812PS



- Higher SRF than our other power inductors
- High inductance with tight tolerance
- Excellent current handling for a part this size
- AEC-Q200 qualified

Core material Ceramic/Ferrite

Core and winding loss See www.coilcraft.com/coreloss

Environmental RoHS compliant, halogen free optional

Terminations RoHS compliant matte tin over nickel over silver platinum-glass frit. Other terminations available at additional cost.

Weight 286– 323 mg

Ambient temperature –40°C to +105°C with (40°C rise) Irms current.

Maximum part temperature +145°C (ambient + temp rise). [Derating](#).

Storage temperature Component: –40°C to +145°C.

Tape and reel packaging: –40°C to +80°C

Resistance to soldering heat Max three 40 second reflows at +260°C, parts cooled to room temperature between cycles

Moisture Sensitivity Level (MSL) 1 (unlimited floor life at <30°C / 85% relative humidity)

PCB washing Tested to MIL-STD-202 Method 215 plus an additional aqueous wash. See [Doc787_PCB_Washing.pdf](#).

| Part number ¹ | L ² (µH) | % tol ³ | Q min ⁴ | DCR max ⁵ (Ohms) | SRF typ ⁶ (MHz) | Isat ⁷ (A) | Irms ⁸ (A) |
|--------------------------|---------------------|--------------------|--------------------|-----------------------------|----------------------------|-----------------------|-----------------------|
| 1812PS-102_R_ | 1.0 | 10,5 | 35 | 0.05 | 685 | 2.50 | 2.70 |
| 1812PS-122_R_ | 1.2 | 10,5 | 38 | 0.06 | 460 | 2.00 | 2.60 |
| 1812PS-152_R_ | 1.5 | 10,5 | 38 | 0.06 | 460 | 2.00 | 2.60 |
| 1812PS-222_R_ | 2.2 | 10,5 | 38 | 0.07 | 270 | 1.70 | 2.40 |
| 1812PS-272_R_ | 2.7 | 10,5 | 40 | 0.08 | 265 | 1.40 | 2.30 |
| 1812PS-332_R_ | 3.3 | 10,5 | 40 | 0.09 | 225 | 1.40 | 2.30 |
| 1812PS-392_R_ | 3.9 | 10,5 | 40 | 0.11 | 170 | 1.20 | 2.20 |
| 1812PS-472_R_ | 4.7 | 10,5 | 40 | 0.11 | 165 | 1.15 | 2.10 |
| 1812PS-562_R_ | 5.6 | 10,5 | 40 | 0.12 | 155 | 1.10 | 2.10 |
| 1812PS-682_R_ | 6.8 | 10,5 | 40 | 0.13 | 140 | 1.00 | 1.90 |
| 1812PS-103_R_ | 10 | 10,5 | 40 | 0.17 | 120 | 0.90 | 1.70 |
| 1812PS-153_R_ | 15 | 10,5 | 40 | 0.26 | 100 | 0.70 | 1.45 |
| 1812PS-223_R_ | 22 | 10,5 | 40 | 0.33 | 45 | 0.54 | 1.20 |
| 1812PS-333_R_ | 33 | 10,5 | 40 | 0.40 | 30 | 0.46 | 1.10 |
| 1812PS-393_R_ | 39 | 10,5 | 48 | 0.56 | 30 | 0.40 | 1.00 |
| 1812PS-473_R_ | 47 | 10,5 | 50 | 0.87 | 28 | 0.35 | 0.80 |
| 1812PS-683_R_ | 68 | 10,5 | 50 | 1.08 | 17 | 0.32 | 0.67 |
| 1812PS-823_R_ | 82 | 10,5 | 55 | 1.25 | 17 | 0.28 | 0.65 |
| 1812PS-104_R_ | 100 | 10,5 | 60 | 1.32 | 14 | 0.27 | 0.65 |
| 1812PS-124_R_ | 120 | 10,5 | 60 | 1.45 | 12 | 0.23 | 0.60 |
| 1812PS-154_R_ | 150 | 10,5 | 60 | 2.20 | 11 | 0.20 | 0.51 |
| 1812PS-224_R_ | 220 | 10,5 | 60 | 2.65 | 7 | 0.17 | 0.47 |
| 1812PS-334_R_ | 330 | 10,5 | 60 | 4.85 | 5.5 | 0.15 | 0.31 |
| 1812PS-474_R_ | 470 | 10,5 | 50 | 5.85 | 4.0 | 0.12 | 0.31 |
| 1812PS-564_R_ | 560 | 10,5 | 40 | 6.10 | 2.6 | 0.11 | 0.28 |
| 1812PS-684_R_ | 680 | 10,5 | 40 | 6.60 | 2.3 | 0.10 | 0.28 |
| 1812PS-824_R_ | 820 | 10,5 | 30 | 7.35 | 1.8 | 0.09 | 0.25 |
| 1812PS-105_R_ | 1000 | 10,5 | 28 | 10.00 | 1.8 | 0.08 | 0.22 |

- When ordering, specify **tolerance**, **terminations** and **packaging** codes:

1812PS-105JRC

Tolerance: J = 5% K = 10%

(Table shows stock tolerances in bold.)

Terminations: R = Halogen free component. Matte tin over nickel over silver-platinum-glass frit terminations.

L = RoHS compliant, not halogen-free. Silver-palladium-platinum-glass frit terminations

Packaging: C = 7" machine-ready reel. EIA-481 embossed plastic tape (600 parts per full reel). Quantities less than full reel available: in tape (not machine ready) or with leader and trailer (\$25 charge).

D = 13" machine-ready reel. EIA-481 embossed plastic tape. Factory order only, not stocked (2200 parts per full reel)

B = Less than full reel. In an effort to simplify our part numbering system, Coilcraft is eliminating the need for multiple packaging codes. When ordering, simply change the last letter of your part number from B to C.

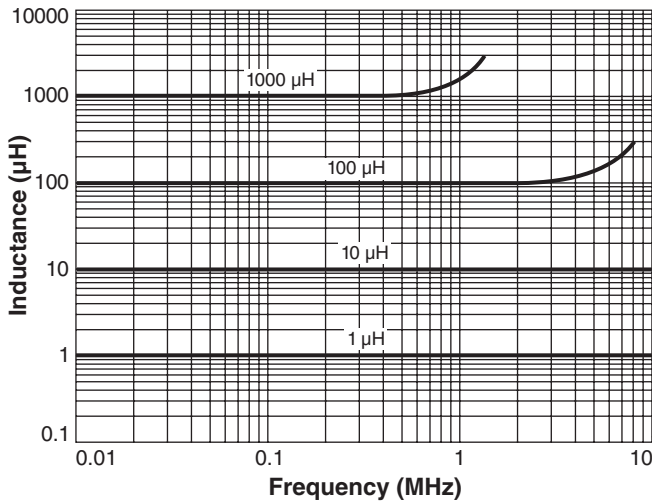
- Inductance measured at 100 kHz, 0.1 Vrms, using a Coilcraft SMD-A fixture in an Agilent/HP 4263B LCR meter.
 - Tolerances in bold are stocked for immediate shipment.
 - Q measured at 1 MHz on an Agilent/HP 4291 with an Agilent/HP 16193 test fixture.
 - DCR measured on micro-ohmmeter and a Coilcraft CCF840 test fixture.
 - SRF measured using an Agilent/HP 8753D network analyzer and a Coilcraft SMD-D test fixture.
 - DC current at 25°C that causes an inductance drop of 10% (typ) from its value without current. [Click for temperature derating information](#).
 - Current that causes the a 40°C temperature rise from 25°C ambient. This information is for reference only and does not represent absolute maximum ratings. [Click for temperature derating information](#).
 - Electrical specifications at 25°C.
- Refer to Doc 362 "Soldering Surface Mount Components" before soldering.

COILCRAFT ACCURATE
PRECISION REPEATABLE
MEASUREMENTS
SEE WEB SITE **TEST FIXTURES**

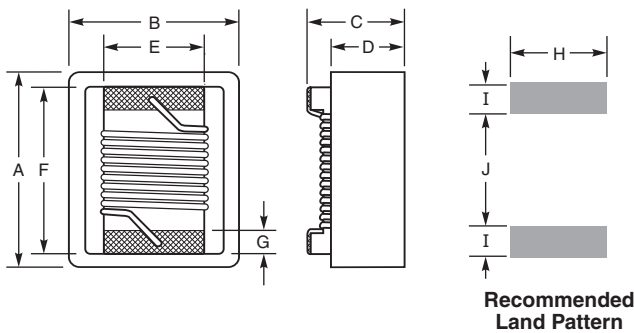
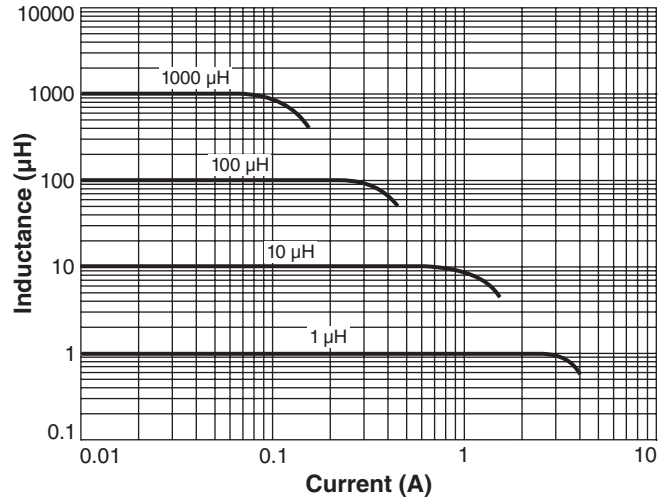
S-Parameter files
ON OUR WEB SITE
SPICE models
ON OUR WEB SITE

Power Chip Inductors - 1812PS Series

Typical L vs Frequency



Typical L vs Current



| A | B | C | D | E | F | G | H | I | J | |
|-------|-------|-------|-------|-------|-------|-------|-------|-------|-------|--------|
| max | max | max | ref | ref | ref | | | | | inches |
| 0.231 | 0.196 | 0.150 | 0.107 | 0.100 | 0.178 | 0.025 | 0.120 | 0.045 | 0.118 | |
| 5,87 | 4,98 | 3,81 | 2,72 | 2,54 | 4,52 | 0,64 | 3,05 | 1,14 | 3,00 | mm |

Packaging 600 per 7" reel; 2200 per 13" reel;
Plastic tape: 12 mm wide, 0.25 mm thick, 8 mm pocket spacing,
3.9 mm pocket depth



Looking for pricing, stock, or lifecycle information?

Click below to explore more details on WIN SOURCE:

 [View 1812PS-152JLC on WIN SOURCE](#)

 [Coilcraft Information](#)

Optimize Your Supply Chain with WIN SOURCE Solutions

-  Global Sourcing Solution
-  Obsolete Management
-  Cost Control Management
-  Shortage Management
-  Alternative Solution
-  Excess Inventory Management