

Compact Long-life Rotary Type RDC90 Series

10 million operation cycles in a compact design.



■ Type: Rotary

Applications: Energy_Industrial: Robots, drones, Industrial equipment
 Home: Major home appliances, Office equipment
 Navigation/audio systems, HVAC: Navigation/audio systems, HVAC

■ Product List

Products No.	Control part orientation	Mounting method	Linearity guarantee range	Linearity	Total resistance	Operating life (cycles)	Dimensions (mm)	Automotive	Drawing No.
RDC9010006	Vertical	Reflow (Long-life)	60°	±3%	3.3kΩ	10,000,000	11.0×13.7×3.2	●	1
RDC9010007	Vertical	Reflow (Long-life)	244°	±3%	10kΩ	10,000,000	11.0×13.7×3.2	●	

⚠ Note

1. This catalog shows only outline specifications. When using the products, please obtain formal specifications for supply.
2. Please place purchase orders per minimum order unit (integer).

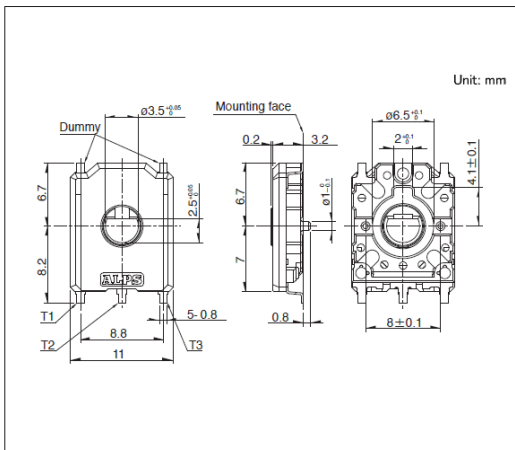
■ Packing Specifications

Tray

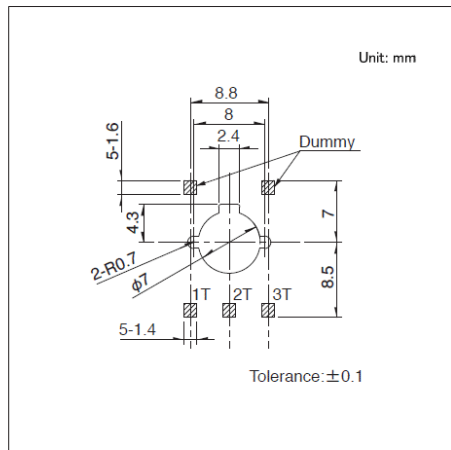
Number of packages (pcs.)		Export package measurements (mm)
1 case / Japan	1 case / export packing	
1,960	1,960	300×240×270

Drawing No. 1

■ Dimensions

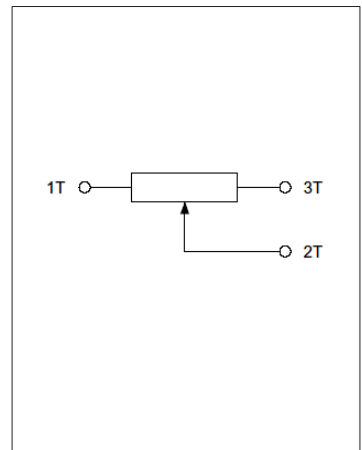


■ Mounting Hole Dimensions





Viewed from mounting side

■ Circuit Diagram



Looking for pricing, stock, or lifecycle information?

Click below to explore more details on WIN SOURCE:

-  [View RDC9010006 on WIN SOURCE](#)
-  [Alps Alpine Information](#)

Optimize Your Supply Chain with WIN SOURCE Solutions

-  Global Sourcing Solution
-  Obsolete Management
-  Cost Control Management
-  Shortage Management
-  Alternative Solution
-  Excess Inventory Management