



THE DATASHEET OF CRM-2HE/UNI + 2X POTENTIOMETER



CRM-2HE | Asymmetric flasher with external potentiometers

5 YEAR WARRANTY



EAN code
CRM-2HE/UNI: 8595188124553
CRM-2HE/UNI + 2X potentiometer: 8595188142069
Potentiometer: 859232367981

Technical parameters CRM-2HE

Number of functions:	2
Supply terminals:	A1 - A2
Supply voltage:	AC/DC 12 - 240 V (AC 50-60 Hz)
Consumption (max.):	3 VA / 1.7 W
Max. dissipated power:	4 W (Un + terminals)
Supply voltage tolerance:	-15 %; +10 %
Supply indication:	green LED
Time ranges:	0.1 s - 100 days
Time setting:	rotary switch, external potentiometer
Time deviation:	5 % - mechanical setting
Repeat accuracy:	0.2 % - set value stability
Temperature coefficient:	0.01 %/°C, at = 20°C (0.01%/°F, at = 68°F)

Output

Contact type:	1x changeover/SPDT (AgNi/Silver Alloy)
Current rating:	16 A/AC1; 1 HP 240 Vac, 1/2 HP 120 Vac; PD. B300
Breaking capacity:	4000 VA/AC1, 384 W/DC1
Inrush current:	30 A/<3 s
Switching voltage:	250 V AC/24 V DC
Output indication:	multifunction red LED
Mechanical life:	10.000.000 ops.
Electrical life (AC1):	100.000 ops.

Controlling

Control voltage:	AC/DC 12 - 240 V (AC 50-60 Hz)
Consumption of input:	AC 0.025-0.2 VA/DC 0.1-0.7 W
Load between S-A2:	Yes
Glow-tubes:	No
Control. terminals:	A1-S
Reset time:	max. 150 ms

Other information

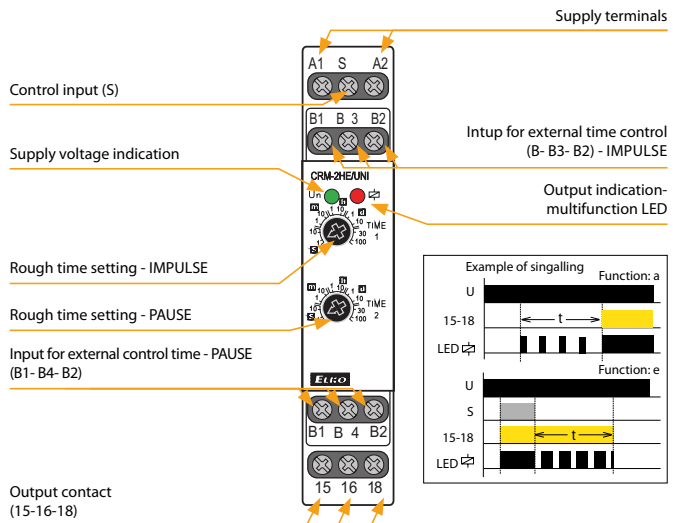
Operating temperature:	-20 .. +55 °C (-4 .. 131 °F)
Storage temperature:	-30 .. +70 °C (-22 .. 158 °F)
Dielectric strength:	AC 4 kV (supply - output)
Operating position:	any
Mounting:	DIN rail EN 60715
Protection degree:	IP40 front panel / IP20 terminals
Overvoltage category:	III.
Pollution degree:	2
Cross-wire section - solid/ stranded with ferrule (mm ²):	max. 1x 2.5, 2x 1.5/ max. 1x 2.5 (AWG 12)
Dimensions:	90 x 17.6 x 64 mm (3.5" x 0.7" x 2.5")
Weight:	78 g (2.8 oz.)
Standards:	EN 61812-1

Potentiometer

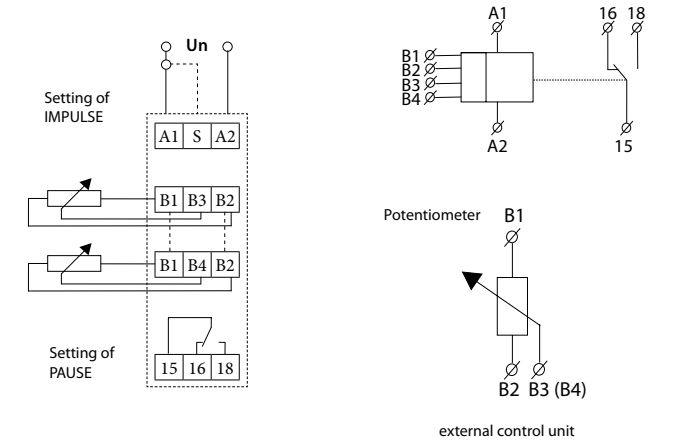
Potentiometer:	10 - 150 kΩ, linear
Protection degree:	IP65 from front side/IP20 from back side
Max. cable size (mm ²):	1.5 with sleeve/without sleeve max. 2.5 (AWG 12)
Weight:	16 g (0.6 oz.)
Dimensions:	see page Accessories

- Control by external control unit - potentiometer (can be placed/ mounted for example on switch board doors or in panel).
- Asymmetric cyclers - 2 time functions:
 - flasher beginning with pulse
 - flasher beginning with gap.
- Function selected via external wired link on control input S-A1.
- Possible to connect external potentiometer - max. distance 10 m (32.8 ft.) from relay.

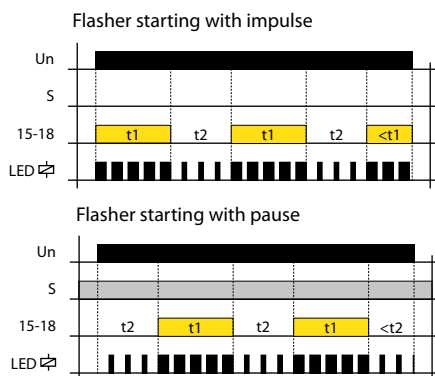
Description



Connection



Function



Looking for pricing, stock, or lifecycle information?

Click below to explore more details on WIN SOURCE:

- ⊖ [View CRM-2HE/UNI + 2x potentiometer](#) on WIN SOURCE
- ⊖ [ELKO EP North America LLC](#) Information

Optimize Your Supply Chain with WIN SOURCE Solutions

- ✓ Global Sourcing Solution
- ✓ Obsolete Management
- ✓ Cost Control Management
- ✓ Shortage Management
- ✓ Alternative Solution
- ✓ Excess Inventory Management