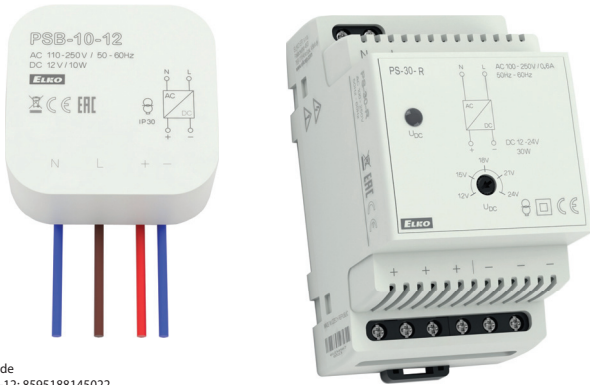




**THE DATASHEET OF
PSB-10-24V**



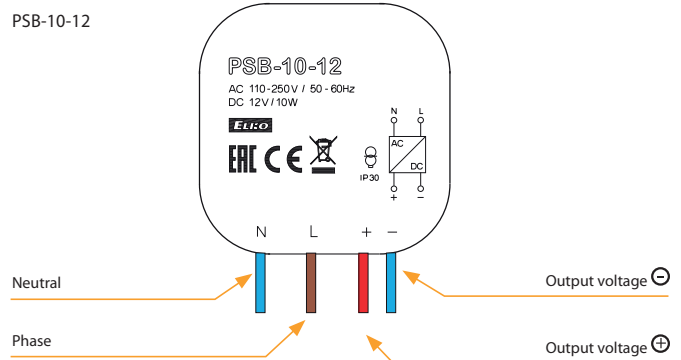


EAN code
 PSB-10-12: 8595188145022
 PSB-10-24: 8595188143783
 PS-30-R: 8595188136655

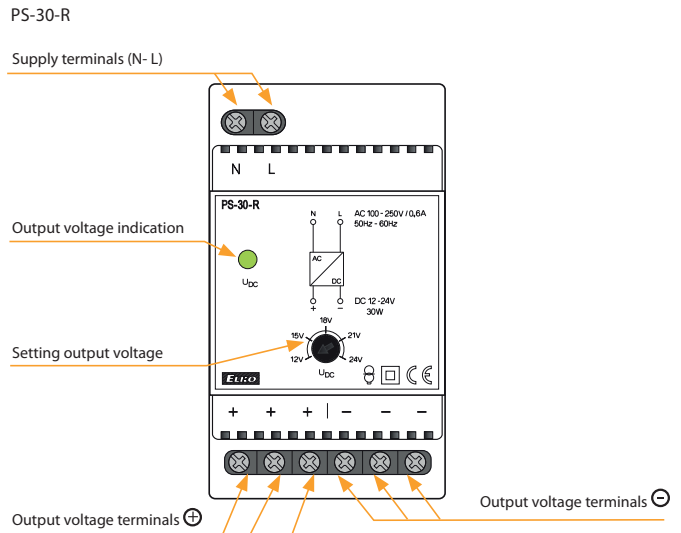
- **PSB-10:** switched stabilized power supplies with fixed output voltage, designed for mounting in the installation box.
 - **PSB-10-12:** stabilized power supply 12 V/10 W.
 - **PSB-10-24:** stabilized power supply 24 V/10 W.
- **PS-30-R:** switching stabilized adjustable power supply 12-24 V/30 W.
- The output current is limited by an electronic fuse, when the maximum current is exceeded, the source switches off and switches on again after a short time delay.
- Thermal protection - in case of thermal overload the source switches off, after cooling it switches on again

Technical parameters	PSB-10-12	PSB-10-24	PS-30-R
Input			
Voltage range:	AC 110 - 250 V (50-60 Hz)	AC 110 - 250 V (50-60 Hz)	AC 100 - 250 V (50-60 Hz)
Burden without load (max.):	3 VA/0.5 W	3 VA/0.5 W	10 VA/1.7 W
Burden with full load (max.):	26 VA/13 W	26 VA/13 W	70 VA/37 W
Protection:	x	x	fuse T2A
Output			
Output voltage DC/max. current:	12 V/ 0.84 A	24 V/ 0.42 A	12.2 V/2.5 A 24.2 V/1.25 A
Tolerance of output voltage:	± 2%		± 3%
Output indication:	x		green LED
Wave of off-load output voltage:	40 mV		40 mV
Wave of output voltage with max load:	380 mV		500 mV
Time delay after connection:	max. 1s		max. 1s
Time delay after over-load:	max. 1s		max. 1s
Efficiency:	> 75%		> 81%
Electronic fuse:	against short circuit, current and temperature overload (from 120% of rated power)		
Other information			
Working humidity:	+20 .. +90 % RH		
Operating temperature:	-20 .. +40 °C (-4 .. 104 °F)		
Storage temperature:	-40 .. +85 °C (-40 .. 185 °F)	-40 .. +85 °C (-40 .. 185 °F)	-25 .. +70 °C (-13 .. 158 °F)
Dielectric strength input- output:	4kV		
Protection degree:	IP30	IP30	IP40 front panel I/IP20 terminals
Overvoltage category:	II.		
Degree of pollution:	2		
Cross section of connecting wires (mm²):	x	x	max. 1x 2.5, max. 2x 1.5/s dut.max. 1x 1.5
Outlets (cross section/length):	wire CY, 4x 0.75mm², 90mm (3.5")	wire CY, 4x 0.75mm², 90mm (3.5")	x
Dimensions:	49 x 49 x 21 mm (1.9" x 1.9" x 0.83")	49 x 49 x 21 mm (1.9" x 1.9" x 0.83")	90 x 52 x 65 mm (3.5" x 2" x 2.6")
Weight:	78 g (2.8 oz.)	78 g (2.8 oz.)	163 g (5.7 oz.)
Standard:	EN 61204-1, EN 61204-3, EN 61204-7		

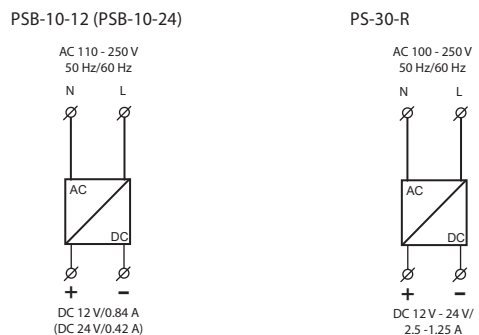
Device description



PSB-10-12/PSB-10-24 designated for installation into an installation box. Suitable for controlling of lighting sources, thermo valves, shutter engines, etc.





Connection



Looking for pricing, stock, or lifecycle information?

Click below to explore more details on WIN SOURCE:

-  [View PSB-10-24V on WIN SOURCE](#)
-  [ELKO EP North America LLC Information](#)

Optimize Your Supply Chain with WIN SOURCE Solutions

-  Global Sourcing Solution
-  Obsolete Management
-  Cost Control Management
-  Shortage Management
-  Alternative Solution
-  Excess Inventory Management