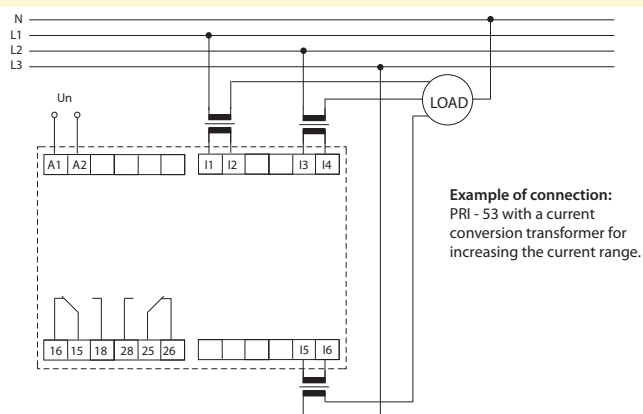


EAN code
PRI-53/5: 8595188142144

Technical parameters	PRI-53/5
Supply terminals:	A1, A2
Current monitoring terminals	
1st phase:	I1, I2
2nd phase:	I3, I4
3rd phase:	I5, I6
Supply voltage:	24 – 240 V AC/DC
Tolerance of voltage range:	± 10 %
Operating AC frequency:	(50-60 Hz)
Burden (max):	3 VA/1.2 W
Max. dissipated power (Un + terminals):	2.5 W
Rated current In:	AC 5 A
Current level - I:	adjustable 40 – 120 % In
Overload capacity	
Continuous:	10 A
Max. 3s:	50 A
Difference:	fix 1 % In
Delay (until failure):	adjustable 0.5 – 10 s
Output relay - contact:	2x changeover/SPDT (AgNi) gilded
AC contact capacity:	250 V/8 A, max. 2000 VA*
DC contact capacity:	30 V/8 A
Mechanical life:	30.000.000 ops.
Electrical life (AC1):	200.000 ops.
Other information	
Operating temperature:	-20 .. 55 °C (-4 .. 131 °F)
Storing temperature:	-30 .. 70 °C (-22 .. 158 °F)
Dielectric strength	4 kV (power supply – output)
Overvoltage category:	III.
Pollution level:	2
Protection degree:	IP40 from front panel/IP20 terminal
Max. cable size (mm ²):	max. 2x 1.5/1x 2.5 (AWG 12)
Dimensions:	90 × 105 × 64 mm (3.5" × 4.1" × 2.5")
Weight:	213 g (7.5 oz.)
Standards:	EN 60255-1, EN 60255-26, EN 60255-27

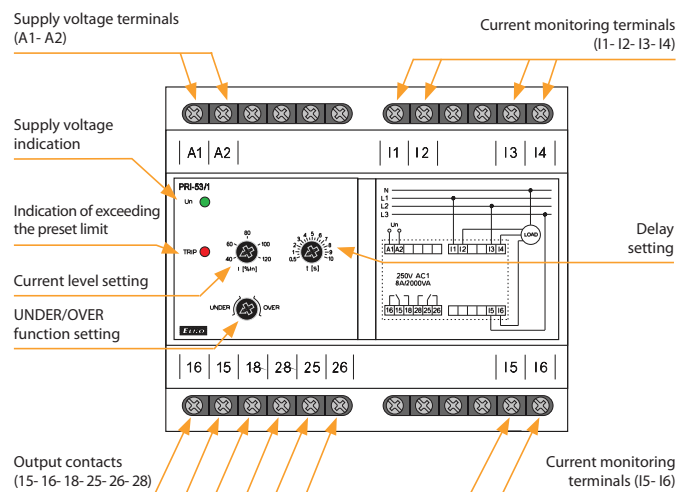
* 8 A/AC1; 1/3 HP|240 Vac, 1/4 HP|120 Vac; PD. B300

Connection

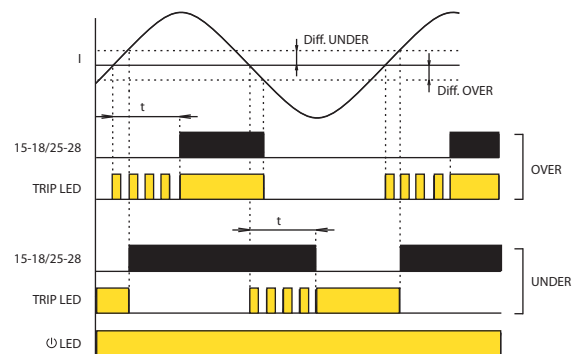


- It is intended for monitoring the current in 3-phase devices (e.g. cranes, motors, etc.).
- 24 - 240 V AC/DC power supply, galvanically separated from the circuit of the monitored current.
- Adjustable delay level (when exceeding the preset limit).
- Adjustable function:
 - UNDER - monitors the drop in the strength of current below the preset value (I)
 - OVER - exceeding the preset value (I).
- Nominal current value 5 A.
- Option of connecting via the current transformers to increase the value of the monitored current.

Description



Functions



After the supply voltage is connected the green LED is on.

UNDER function:

If the strength of the monitored current in all phases exceeds the preset level I , the relay is triggered and the red LED is off. If the strength of the monitored current drops in any phase below the level I , the relay is disconnected after the preset delay timing elapses and the red LED goes on. The red LED flashes during the delay.

If the strength of the monitored current returns above the level I + difference, the relay is triggered without delay and the red LED goes off.

OVER function:



If the strength of the monitored current is lower in all phases than the preset level I , the relay is disconnected and the red LED is off.

If the strength of the monitored current exceeds in any phase the level I , the relay is triggered after the preset delay timing elapses and the red LED goes on. The red LED flashes during the delay.

If the strength of the monitored current again drops below the level I - difference, the relay is disconnected without delay and the red LED goes off.

Looking for pricing, stock, or lifecycle information?

Click below to explore more details on WIN SOURCE:

-  [View PRI-53/5 on WIN SOURCE](#)
-  [ELKO EP North America LLC Information](#)

Optimize Your Supply Chain with WIN SOURCE Solutions

-  Global Sourcing Solution
-  Obsolete Management
-  Cost Control Management
-  Shortage Management
-  Alternative Solution
-  Excess Inventory Management