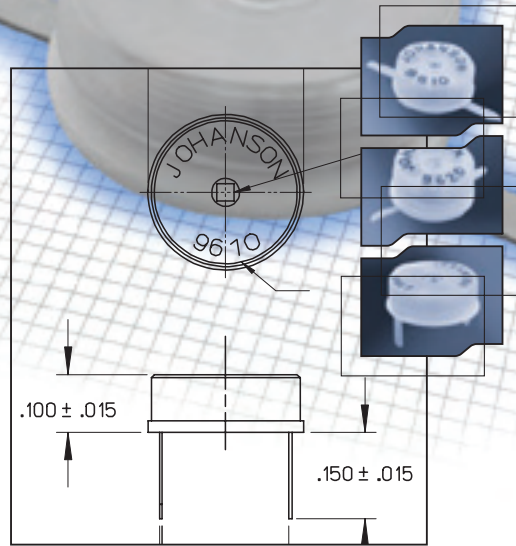


SEAL-TRIM

Our Seal-Trims are also built around the Thin-Trim capacitors. These capacitors are encased in a high performance polymer housing that is wave solderable and protects the trimmer from contamination.



APPLICATIONS

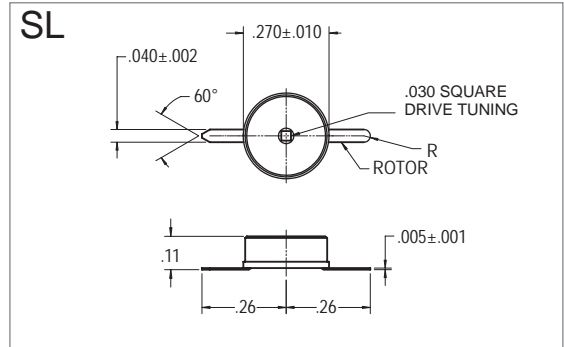
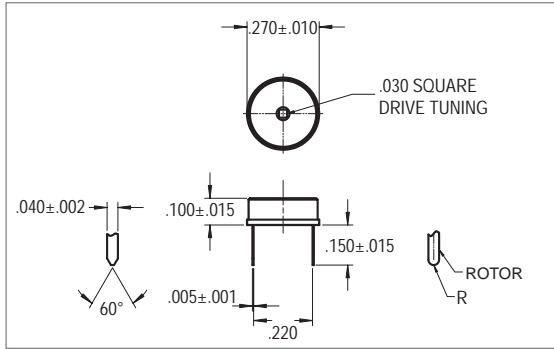
- RF amplifier
- LC Filters and Networks
- Broadband Wireless LAN
- Medical Devices
- Cordless and Cellular phones
- DR/Crystal Oscillator
- Microstrip line filters

CHARACTERISTICS

- Working Voltage: 250 VDC (500 VDC Test)
- Long Rotational life
- Insulation Resistance: $> 10^4$ M Ω
- Temperature Range: -55°C to +125°C
- RoHS Compliant parts available

SERIES	DISK SIZE	CAPACITANCE AVAILABLE	TUNING RESOLUTION
9610/9810	.270" (6.86 mm)	1 to 50 pF	180°
9620/9820	.180" (4.57 mm)	.5 to 25 pF	180°

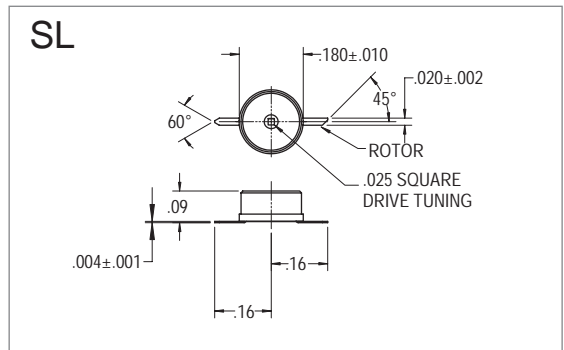
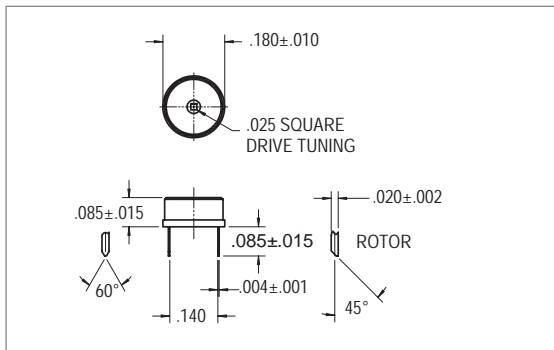
9610 SERIES TUNING TOOL: 4193



JMC P/N	RANGE PF	MIN Q @ 100MHZ
9610	9610SL	1.5 TO 4.5 >1000
9611	9611SL	2.5 TO 10.0 >1000
9612	9612SL	4.0 TO 18.0 >700
9613	9613SL	6.0 TO 35.0 >200
9614	9614SL	7.0 TO 40.0 >200
9615	9615SL	5.0 TO 25.0 >200
9616	9616SL	8.0 TO 50.0 >200

ROHS	Pb	RANGE PF	MIN Q @ 100MHZ
9810	9810SL	1.5 TO 4.5 >1000	
9811	9811SL	2.5 TO 10.0 >1000	
9812	9812SL	4.0 TO 18.0 >700	
9813	9813SL	6.0 TO 35.0 >200	
9814	9814SL	7.0 TO 40.0 >200	
9815	9815SL	5.0 TO 25.0 >200	
9816	9816SL	10.5 TO 50.0 >200	

9620 SERIES TUNING TOOL: 4192



JMC P/N	RANGE PF	MIN Q @ 100MHZ
9620	9620SL	0.5 TO 2.5 >1000
9621	9621SL	1.0 TO 5.0 >1000
9622	9622SL	2.5 TO 10.0 >1000
9626	9626SL	8.5 TO 25.0 >300
9628	9628SL	5.0 TO 15.0 >750
9629	9629SL	7.5 TO 18.0 >500

ROHS	Pb	RANGE PF	MIN Q @ 100MHZ
9820	9820SL	0.5 TO 2.5 >1000	
9821	9821SL	1.0 TO 5.0 >1000	
9822	9822SL	2.5 TO 10.0 >1000	
9826	9826SL	8.5 TO 25.0 >300	
9828	9828SL	5.0 TO 15.0 >750	
9829	9829SL	7.5 TO 18.0 >500	



Looking for pricing, stock, or lifecycle information?

Click below to explore more details on WIN SOURCE:

- ⊖ [View 9814 on WIN SOURCE](#)
- ⊖ [Knowles Johanson Manufacturing Information](#)

Optimize Your Supply Chain with WIN SOURCE Solutions

- ✓ Global Sourcing Solution
- ✓ Obsolete Management
- ✓ Cost Control Management
- ✓ Shortage Management
- ✓ Alternative Solution
- ✓ Excess Inventory Management