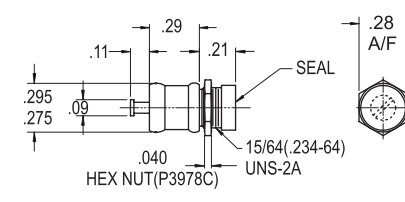
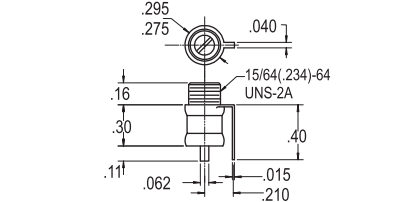
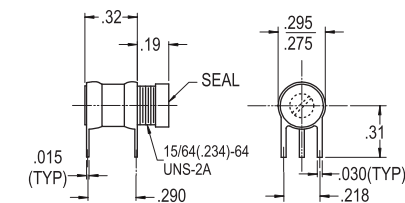
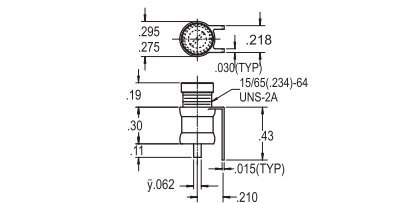


1 TO 14 pF

<p>5402</p> <p>Q @ 100 MHz >3000</p>	
<p>8053</p> <p>(1.5 to 14 pF)</p> <p>Q @ 100 MHz >1500</p>	

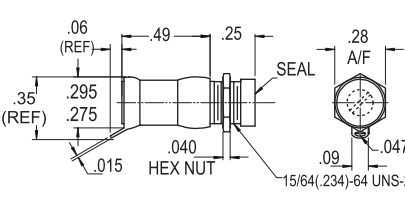
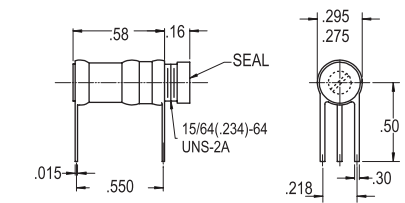
1 TO 16 pF

- Capacitance Range: 1 to 16 pF (>6 turns)
- Working Voltage: 250 VDC (500 VDC Test)
- Torque: 1 to 5 oz. In.
- Tuning Tool: 8764
- RoHS Compliant

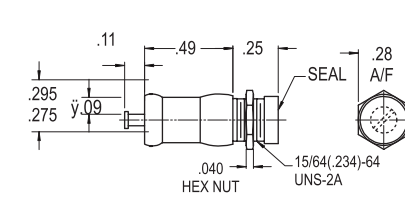
<p>5451</p> <p>Q @ 100 MHz >3000</p>	
<p>5453</p> <p>Q @ 100 MHz >3000</p>	

1 TO 20 pF

- Capacitance Range: 1 to 20 pF (>12 turns)
- Working Voltage: 250 VDC (500 VDC Test)
- Torque: 1 to 5 oz. In.
- Tuning Tool: 8764
- RoHS Compliant

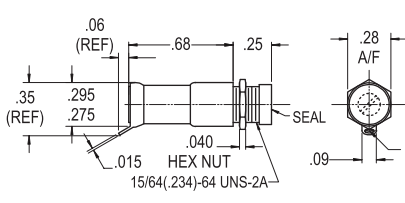
<p>5500</p> <p>Q @ 100 MHz >1500</p>	
<p>5501</p> <p>Q @ 100 MHz >1500</p>	

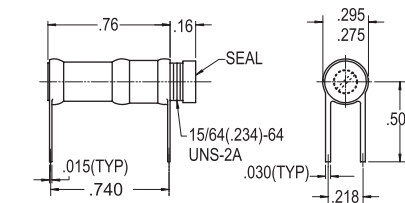
1 TO 20 pF

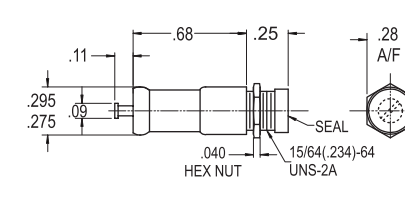
<p>5502</p> <p>Q @ 100 MHz >1500</p>	
--	---

1 TO 30 pF

- Capacitance Range: 1.0 to 10.0 pF (>20 turns)
- Working Voltage: 250 VDC (500 VDC Test)
- Torque: 1 to 5.0 oz. In.
- Tuning Tool: 8764
- RoHS Compliant

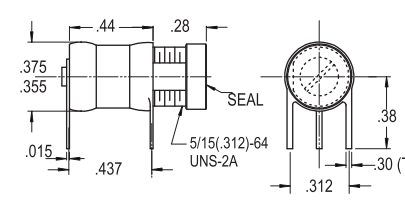
<p>5600</p> <p>Q @ 100 MHz >800</p>	
---	---

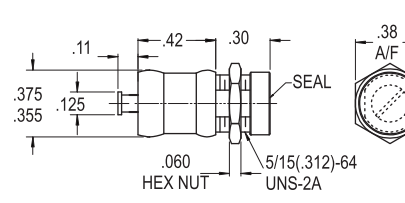
<p>5601</p> <p>Q @ 100 MHz >800</p>	
---	---

<p>5602</p> <p>Q @ 100 MHz >800</p>	
---	--

1 TO 10 pF (500 VDC)

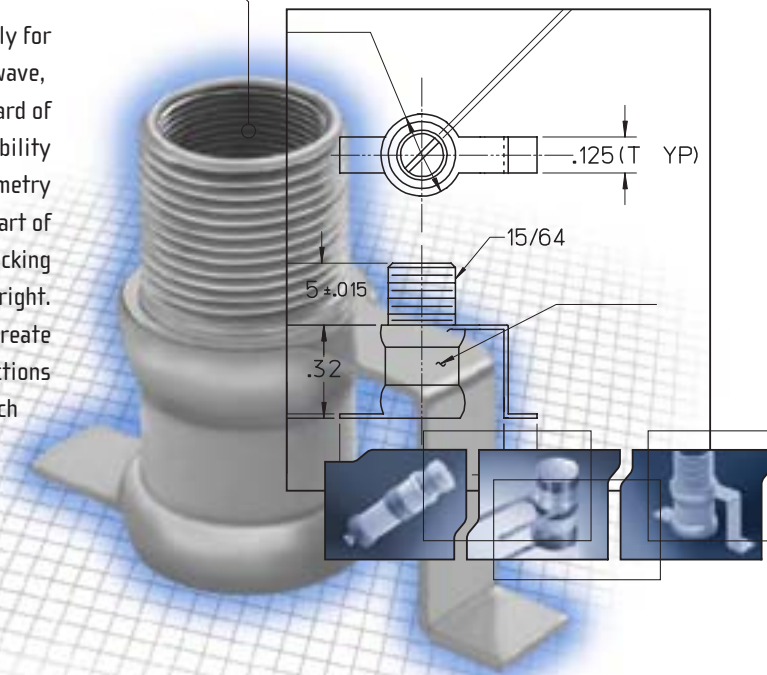
- Capacitance Range: 1.0 to 10.0 pF (>10 turns)
- Working Voltage: 500 VDC (1000 VDC Test)
- Torque: 1 to 5.0 oz. In.
- Tuning Tool: 8764
- RoHS Compliant

<p>5301</p> <p>Q @ 100 MHz >2000</p>	
--	---

<p>5302</p> <p>Q @ 100 MHz >2000</p>	
--	---

AIR CAPACITORS

Air Capacitors are designed specifically for RF applications, VHF through microwave, and have become the industry standard of excellence. High Q and temperature stability are a result of proper attention to geometry and choice of optimum materials. The heart of this trimmer is the one piece self-locking constant drive mechanism illustrated to the right. This mechanism utilizes transverse slots to create a spring effect between two threaded sections resulting in substantial contact areas which insure uniform torque, high Q and low dynamic tuning noise.



APPLICATIONS

- RF amplifier and oscillators
- Impedance matching
- Interstage coupling
- Filter tuning
- Crystal trimming

CHARACTERISTICS

- Working Voltage: 250 VDC (500 VDC Test)
- Long Rotational life
- Insulation resistance: > 10⁶ MΩ
- Temperature range: -65°C to +125°C
- RoHS Compliant

CAPACITANCE RANGE	SERIES	Q @ 250 MHz	PAGE
0.35 to 3.5 pF	5800	> 10000	2
0.5 to 5 pF	5850	> 7500	2
0.6 to 6 pF	5700	> 10000	2,3
0.8 to 10 pF OR 1 to 10 pF	1500	> 4000 @195MHz	2
	5200	> 5000	3
	5750	> 7500	3
	5300	> 2000	4
1 to 14 pF	5400	> 3000	3,4
1 to 16 pF	5450	> 3000	4
1 to 20 pF	5500	> 1500	4
1 to 30 pF	5600	> 800	4



1 TO 10 pF

- Lead-Solderless design
- Capacitance Range: 1.0 to 10.0 pF (>8 turns)
- Working Voltage: 250 VDC (500 VDC Test)
- Torque: 1 to 5.0 oz. In.
- Tuning Tool: 8764
- RoHS Compliant

<p>1501 Q @ 195 MHz >4000</p>	
<p>1502 Q @ 195 MHz >4000</p>	
<p>1518 Q @ 195 MHz >4000</p>	
<p>1585 Q @ 195 MHz >4000</p>	

0.35 TO 3.5 pF

- Capacitance Range: .35 to 3.5 pF (>9 turns)
- Working Voltage: 250 VDC (500 VDC Test)
- Torque: .3 to 3 oz. In.
- Tuning Tool: 8765
- RoHS Compliant

<p>5800 Q @ 100 MHz >10000</p>	
<p>5801 Q @ 100 MHz >10000</p>	

0.35 TO 3.5 pF

<p>5802 Q @ 100 MHz >10000</p>	
<p>8051 (0.6 to 3.5 pF) Q @ 100 MHz >10000</p>	

0.5 TO 5 pF

- Capacitance Range: .5 to 5 pF (>12 turns)
- Working Voltage: 250 VDC (500 VDC Test)
- Torque: .3 to 3 oz. In.
- Tuning Tool: 8764
- RoHS Compliant

<p>5850 Q @ 100 MHz >7500</p>	
<p>5851 Q @ 100 MHz >7500</p>	
<p>5852 Q @ 100 MHz >7500</p>	
<p>5853 (0.6 to 5 pF) Q @ 100 MHz >7500</p>	

0.6 TO 6 pF

- Capacitance Range: .6 to 6 pF (>7 turns)
- Working Voltage: 250 VDC (500 VDC Test)
- Torque: .4 to 4 oz. In.
- Tuning Tool: 8764
- RoHS Compliant

0.6 TO 6 pF

<p>5700 Q @ 100 MHz >10000</p>	
<p>5701 Q @ 100 MHz >10000</p>	
<p>5702 Q @ 100 MHz >10000</p>	
<p>8050 Q @ 100 MHz >10000</p>	

0.8 TO 10 pF

- Capacitance Range: .8 to 10 pF (>6 turns)
- Working Voltage: 250 VDC (500 VDC Test)
- Torque: 1 to 5 oz. In. [52XX] or .4 to 4 oz. In. [575X]
- Tuning Tool: 8764
- RoHS Compliant

<p>5200 Q @ 100 MHz >5000</p>	
<p>5201 Q @ 100 MHz >5000</p>	
<p>5202 Q @ 100 MHz >5000</p>	

0.8 TO 10 pF

<p>8052 Q @ 100 MHz >5000</p>	
<p>5750 Q @ 100 MHz >7500</p>	
<p>5751 Q @ 100 MHz >7500</p>	
<p>5752 Q @ 100 MHz >7500</p>	
<p>5753 (0.6 to 5 pF) Q @ 100 MHz >7500</p>	

1 TO 14 pF

- Capacitance Range: 1 to 14 pF (>6 turns)
- Working Voltage: 250 VDC (500 VDC Test)
- Torque: 1 to 5.0 oz. In.
- Tuning Tool: 8764
- RoHS Compliant

<p>5400 Q @ 100 MHz >3000</p>	
<p>5401 Q @ 100 MHz >3000</p>	

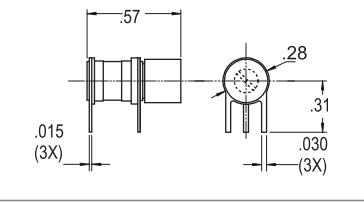
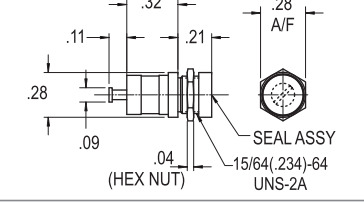
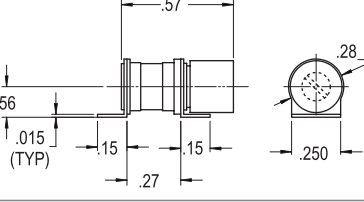
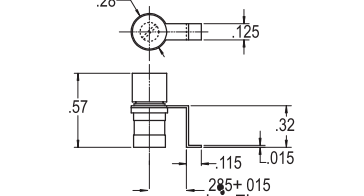


Specifications provided are typical and for reference only. Specifications are subject to change, and may be discontinued without advance notice.



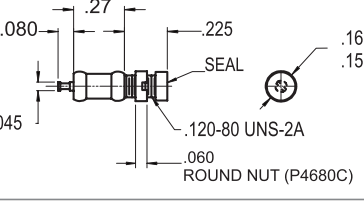
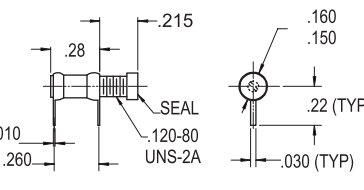
1 TO 10 pF

- Lead-Solderless design
- Capacitance Range: 1.0 to 10.0 pF (>8 turns)
- Working Voltage: 250 VDC (500 VDC Test)
- Torque: 1 to 5.0 oz. In.
- Tuning Tool: 8764
- RoHS Compliant

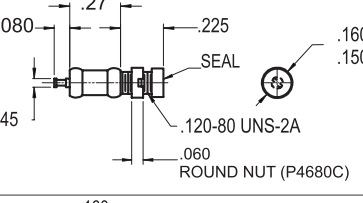
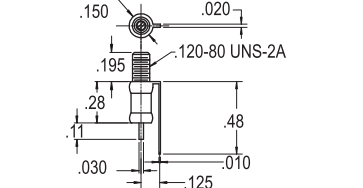
<p>1501 Q @ 195 MHz >4000</p>	
<p>1502 Q @ 195 MHz >4000</p>	
<p>1518 Q @ 195 MHz >4000</p>	
<p>1585 Q @ 195 MHz >4000</p>	

0.35 TO 3.5 pF

- Capacitance Range: .35 to 3.5 pF (>9 turns)
- Working Voltage: 250 VDC (500 VDC Test)
- Torque: .3 to 3 oz. In.
- Tuning Tool: 8765
- RoHS Compliant

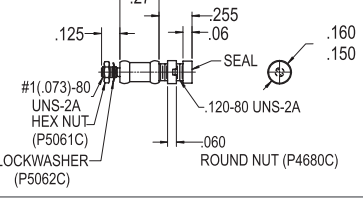
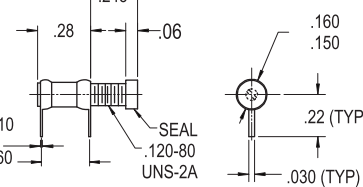
<p>5800 Q @ 100 MHz >10000</p>	
<p>5801 Q @ 100 MHz >10000</p>	

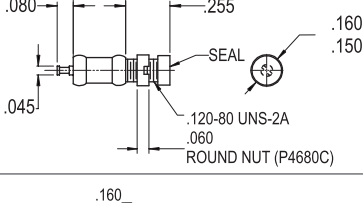
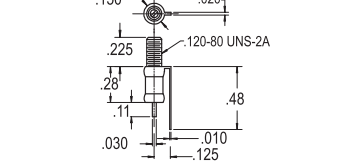
0.35 TO 3.5 pF

<p>5802 Q @ 100 MHz >10000</p>	
<p>8051 (0.6 to 3.5 pF) Q @ 100 MHz >10000</p>	

0.5 TO 5 pF

- Capacitance Range: .5 to 5 pF (>12 turns)
- Working Voltage: 250 VDC (500 VDC Test)
- Torque: .3 to 3 oz. In.
- Tuning Tool: 8764
- RoHS Compliant

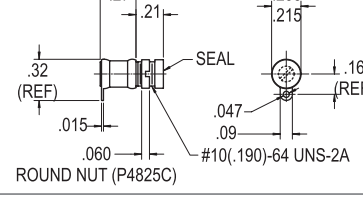
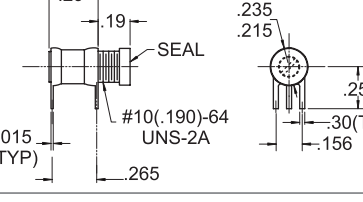
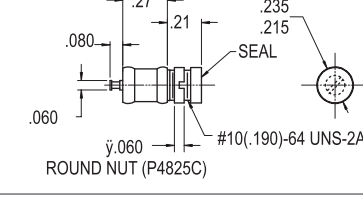
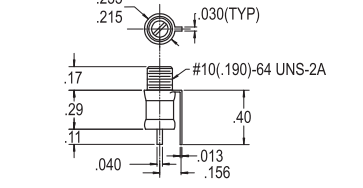
<p>5850 Q @ 100 MHz >7500</p>	
<p>5851 Q @ 100 MHz >7500</p>	

<p>5852 Q @ 100 MHz >7500</p>	
<p>5853 (0.6 to 5 pF) Q @ 100 MHz >7500</p>	

0.6 TO 6 pF

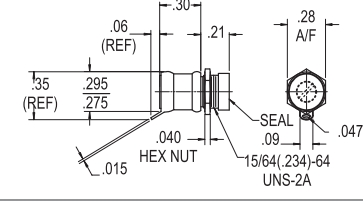
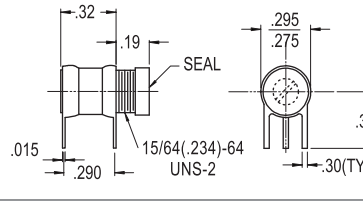
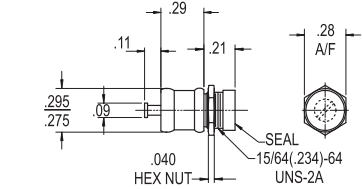
- Capacitance Range: .6 to 6 pF (>7 turns)
- Working Voltage: 250 VDC (500 VDC Test)
- Torque: .4 to 4 oz. In.
- Tuning Tool: 8764
- RoHS Compliant

0.6 TO 6 pF

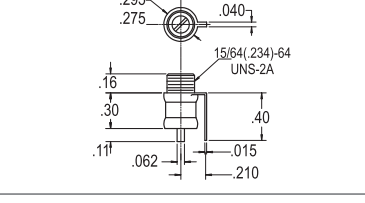
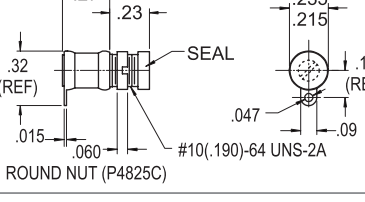
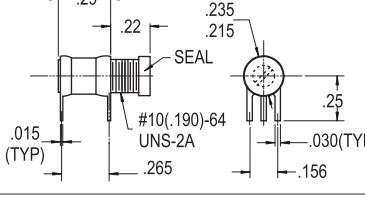
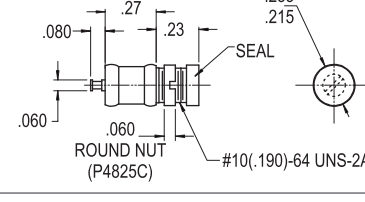
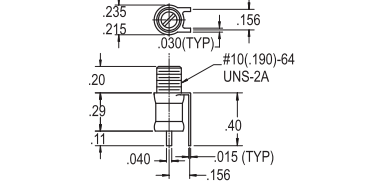
<p>5700 Q @ 100 MHz >10000</p>	
<p>5701 Q @ 100 MHz >10000</p>	
<p>5702 Q @ 100 MHz >10000</p>	
<p>8050 Q @ 100 MHz >10000</p>	

0.8 TO 10 pF

- Capacitance Range: .8 to 10 pF (>6 turns)
- Working Voltage: 250 VDC (500 VDC Test)
- Torque: 1 to 5 oz. In. [52XX] or .4 to 4 oz. In. [575X]
- Tuning Tool: 8764
- RoHS Compliant

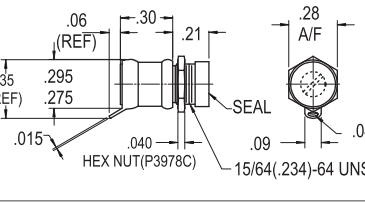
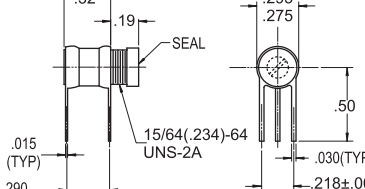
<p>5200 Q @ 100 MHz >5000</p>	
<p>5201 Q @ 100 MHz >5000</p>	
<p>5202 Q @ 100 MHz >5000</p>	

0.8 TO 10 pF

<p>8052 Q @ 100 MHz >5000</p>	
<p>5750 Q @ 100 MHz >7500</p>	
<p>5751 Q @ 100 MHz >7500</p>	
<p>5752 Q @ 100 MHz >7500</p>	
<p>5753 (0.6 to 5 pF) Q @ 100 MHz >7500</p>	

1 TO 14 pF

- Capacitance Range: 1 to 14 pF (>6 turns)
- Working Voltage: 250 VDC (500 VDC Test)
- Torque: 1 to 5.0 oz. In.
- Tuning Tool: 8764
- RoHS Compliant

<p>5400 Q @ 100 MHz >3000</p>	
<p>5401 Q @ 100 MHz >3000</p>	



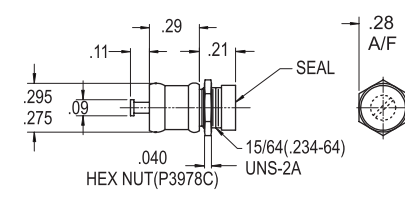
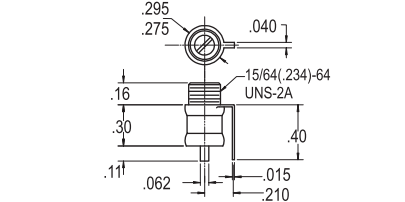
Specifications provided are typical and for reference only. Specifications are subject to change, and may be discontinued without advance notice.



Client Johanson Manufacturing Corp.
Project Tab Sell Sheets with product specs
Job Number JOH.12
Prepared by Rad
Date 5.31.2006

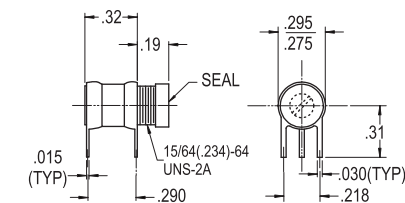
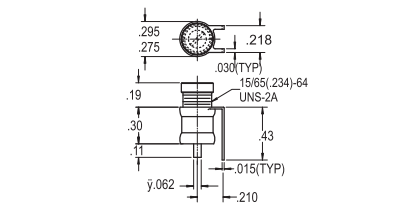
Element Tab Sheet 3: Air Capacitors IN
Specs Black, PMS 2925 Blue, PMS 877 metallic silver
Version v5

1 TO 14 pF

<p>5402</p> <p>Q @ 100 MHz >3000</p>	
<p>8053</p> <p>(1.5 to 14 pF)</p> <p>Q @ 100 MHz >1500</p>	

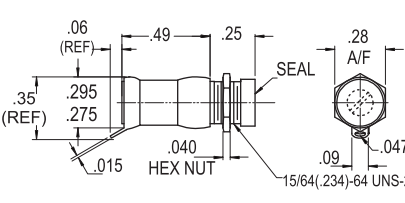
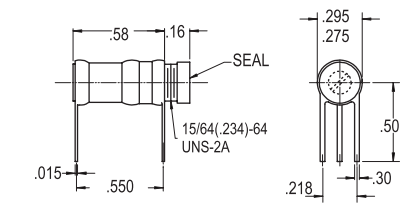
1 TO 16 pF

- Capacitance Range: 1 to 16 pF (>6 turns)
- Working Voltage: 250 VDC (500 VDC Test)
- Torque: 1 to 5 oz. In.
- Tuning Tool: 8764
- RoHS Compliant

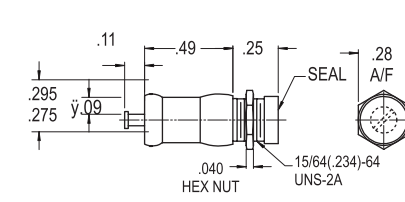
<p>5451</p> <p>Q @ 100 MHz >3000</p>	
<p>5453</p> <p>Q @ 100 MHz >3000</p>	

1 TO 20 pF

- Capacitance Range: 1 to 20 pF (>12 turns)
- Working Voltage: 250 VDC (500 VDC Test)
- Torque: 1 to 5 oz. In.
- Tuning Tool: 8764
- RoHS Compliant

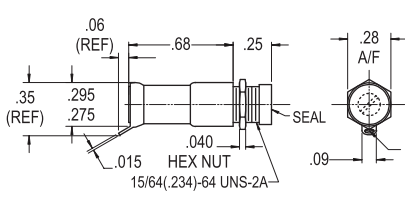
<p>5500</p> <p>Q @ 100 MHz >1500</p>	
<p>5501</p> <p>Q @ 100 MHz >1500</p>	

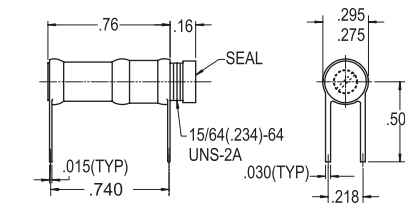
1 TO 20 pF

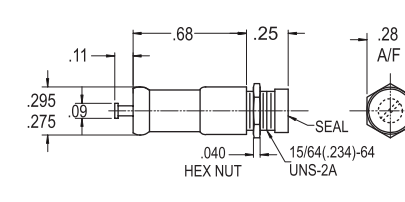
<p>5502</p> <p>Q @ 100 MHz >1500</p>	
--	---

1 TO 30 pF

- Capacitance Range: 1.0 to 10.0 pF (>20 turns)
- Working Voltage: 250 VDC (500 VDC Test)
- Torque: 1 to 5.0 oz. In.
- Tuning Tool: 8764
- RoHS Compliant

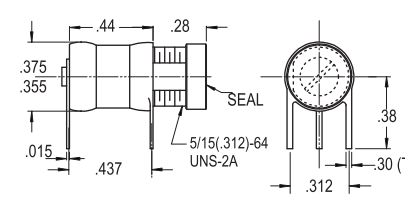
<p>5600</p> <p>Q @ 100 MHz >800</p>	
---	---

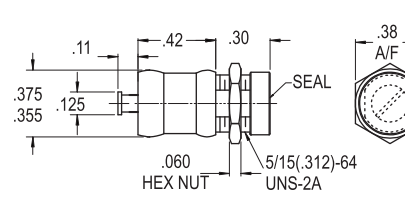
<p>5601</p> <p>Q @ 100 MHz >800</p>	
---	---

<p>5602</p> <p>Q @ 100 MHz >800</p>	
---	--

1 TO 10 pF (500 VDC)

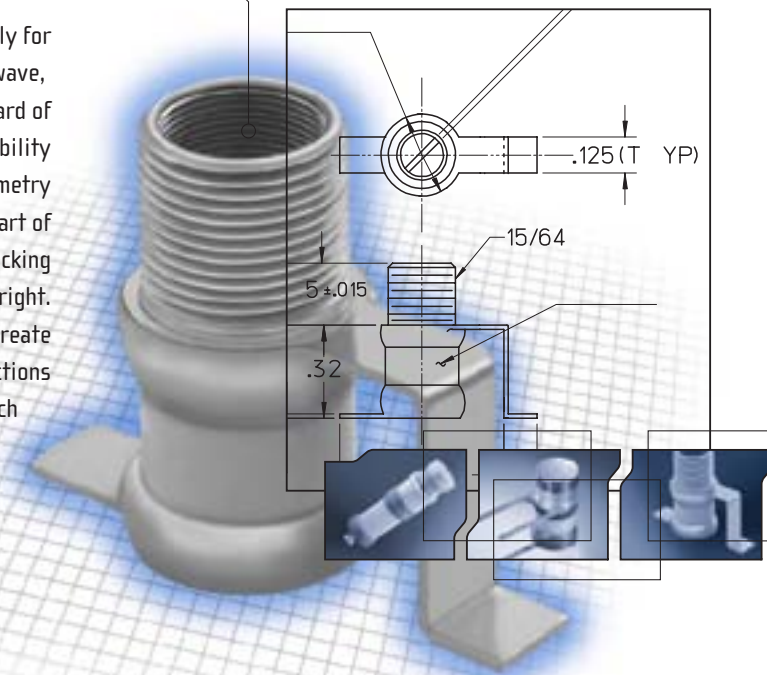
- Capacitance Range: 1.0 to 10.0 pF (>10 turns)
- Working Voltage: 500 VDC (1000 VDC Test)
- Torque: 1 to 5.0 oz. In.
- Tuning Tool: 8764
- RoHS Compliant

<p>5301</p> <p>Q @ 100 MHz >2000</p>	
--	---

<p>5302</p> <p>Q @ 100 MHz >2000</p>	
--	---

AIR CAPACITORS

Air Capacitors are designed specifically for RF applications, VHF through microwave, and have become the industry standard of excellence. High Q and temperature stability are a result of proper attention to geometry and choice of optimum materials. The heart of this trimmer is the one piece self-locking constant drive mechanism illustrated to the right. This mechanism utilizes transverse slots to create a spring effect between two threaded sections resulting in substantial contact areas which insure uniform torque, high Q and low dynamic tuning noise.



APPLICATIONS

- RF amplifier and oscillators
- Impedance matching
- Interstage coupling
- Filter tuning
- Crystal trimming

CHARACTERISTICS

- Working Voltage: 250 VDC (500 VDC Test)
- Long Rotational life
- Insulation resistance: > 10⁶ MΩ
- Temperature range: -65°C to +125°C
- RoHS Compliant

CAPACITANCE RANGE	SERIES	Q @ 250 MHz	PAGE
0.35 to 3.5 pF	5800	> 10000	2
0.5 to 5 pF	5850	> 7500	2
0.6 to 6 pF	5700	> 10000	2,3
0.8 to 10 pF OR 1 to 10 pF	1500	> 4000 @195MHz	2
	5200	> 5000	3
	5750	> 7500	3
	5300	> 2000	4
1 to 14 pF	5400	> 3000	3,4
1 to 16 pF	5450	> 3000	4
1 to 20 pF	5500	> 1500	4
1 to 30 pF	5600	> 800	4



Looking for pricing, stock, or lifecycle information?

Click below to explore more details on WIN SOURCE:

[View 5602 on WIN SOURCE](#)

[Knowles Johanson Manufacturing](#) Information

Optimize Your Supply Chain with WIN SOURCE Solutions

- ✓ Global Sourcing Solution
- ✓ Obsolete Management
- ✓ Cost Control Management
- ✓ Shortage Management
- ✓ Alternative Solution
- ✓ Excess Inventory Management