

High Frequency Ceramic Solutions

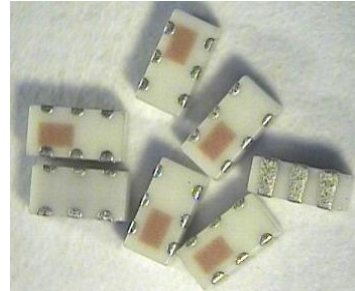
2450 MHz Harmonic Low Pass Filter EIA 0603, SMD

P/N 2450LP14B100

Detail Specification: 10/14/2019

Page 1 of 3

| General Specifications | |
|--|--------------------------------|
| Frequency (MHz) | 2400 - 2500 |
| Insertion Loss (dB) | 0.50 max. |
| Attenuation (min.) | 35 dB @ 2 x fo |
| Attenuation (min.) | 25 dB @ 3 x fo |
| Power Capacity | 3W max. (CW) |
| Recommended Storage Conditions (unmounted/unused product on T&R) | +5 ~ +35 °C, Humidity 45~75%RH |
| Operating Temperature | -40 to +85°C |
| Storage Temperature | -40 to +85°C |



| Part Number Explanation | | | | |
|-------------------------|-------------------------------------|----------|---------------|--|
| P/N Suffix | Packing Style | Bulk | Suffix = S | 2450LP14B100S |
| | | T & R | Suffix = T | 2450LP14B100T (Reel Size: 4000pcs) |
| | Termination style | 100% Tin | Suffix = None | 2450LP14B100(T/S) |
| | 50Ω SMA Connector Eval Board | | | 2450LP14B100-EB-SMA (orderable p/n) |

| Mechanical Dimensions | | |
|-----------------------|-------------------|-----------------|
| | In | mm |
| L | 0.063 ± 0.004 | 1.60 ± 0.10 |
| W | 0.031 ± 0.004 | 0.80 ± 0.10 |
| T | 0.024 ± 0.004 | 0.60 ± 0.10 |
| a | 0.008 ± 0.004 | 0.20 ± 0.10 |
| b | 0.008 +.004/-.006 | 0.20 +0.1/-0.15 |
| c | 0.006 ± 0.004 | 0.15 ± 0.10 |
| g | 0.012 ± 0.004 | 0.30 ± 0.10 |
| p | 0.020 ± 0.002 | 0.50 ± 0.05 |

| Terminal Configuration | | | |
|------------------------|----------|-----|----------|
| No. | Function | No. | Function |
| 1 | GND | 4 | GND |
| 2 | IN/OUT | 5 | IN/OUT |
| 3 | GND | 6 | GND |

| Mounting Considerations | | |
|-------------------------|---|--|
| | Solder Resist | <p>* Trace must be designed to a 50Ω characteristic impedance based on PCB material and thickness.</p> <p>Want the layout file or need us to revise your layout to make sure is correct? Send us a message at: https://www.johansontechnology.com/ask-a-question</p> |
| | Land | |
| | Through-hole (∅0.35) | |
| | If DC Blocking is required, use a 10-12pF capacitor in the I/Os | |

Johanson Technology, Inc. reserves the right to make design changes without notice.
All sales are subject to Johanson Technology, Inc. terms and conditions.



<https://www.johansontechnology.com>

4001 Calle Tecate • Camarillo, CA 93012 • TEL 805.389.1166 FAX 805.389.1821

Ver. 3.2

2019 Johanson Technology, Inc. All Rights Reserved

High Frequency Ceramic Solutions

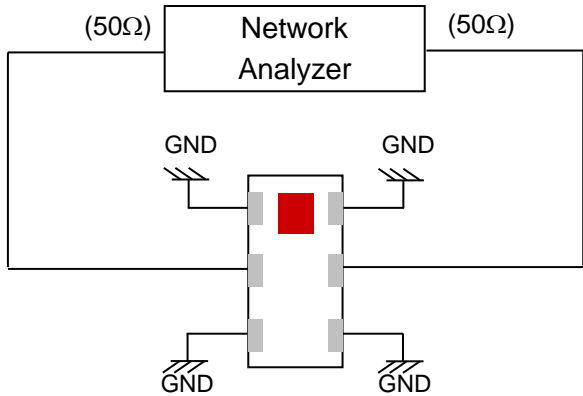
2450 MHz Harmonic Low Pass Filter EIA 0603, SMD

P/N 2450LP14B100

Detail Specification: 10/14/2019

Page 2 of 3

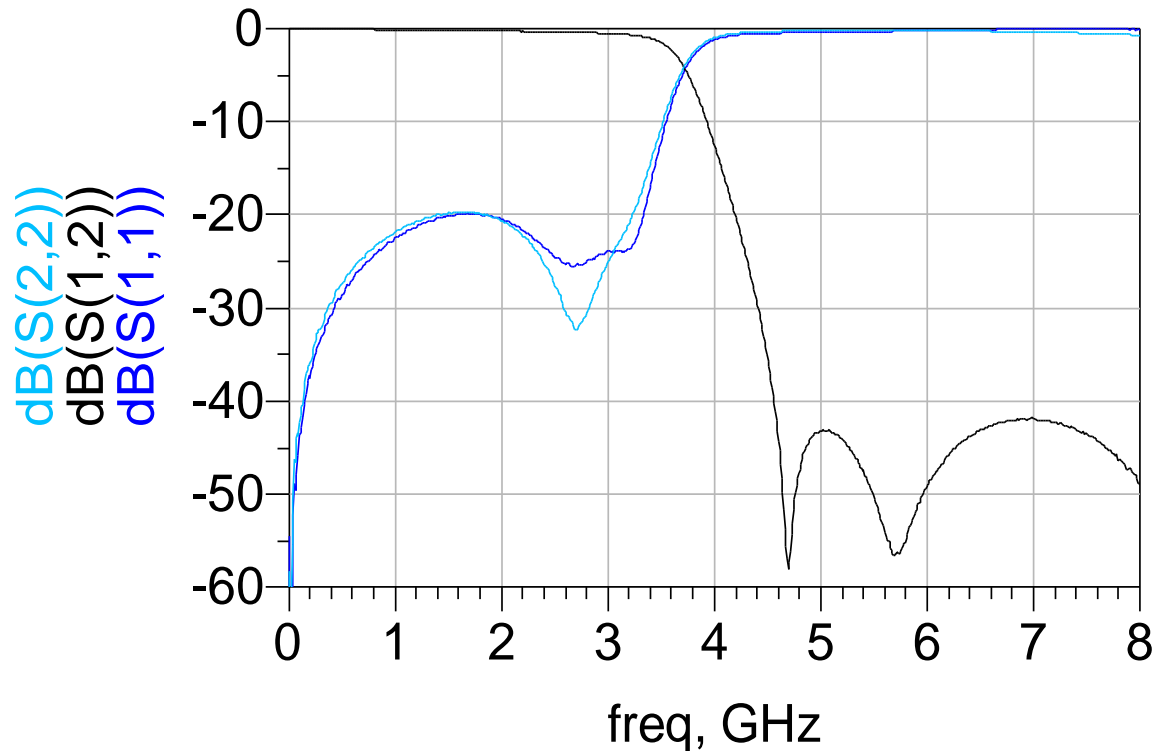
Measuring Diagram



Click here Order the SMA-ready Evaluation Board p/n 2450LP14B100-EB-SMA:

<https://www.johansontechnology.com/request-a-sample>

Typical Electrical Performance (T=25°C)



Johanson Technology, Inc. reserves the right to make design changes without notice.
All sales are subject to Johanson Technology, Inc. terms and conditions.



High Frequency Ceramic Solutions

2450 MHz Harmonic Low Pass Filter EIA 0603, SMD

P/N 2450LP14B100

Detail Specification: 10/14/2019

Page 3 of 3

<https://www.johansontechnology.com/tape-reel-packaging>

Soldering Information

<https://www.johansontechnology.com/ipcsoldering-profile>

RoHS Compliance

<https://www.johansontechnology.com/rohs-compliance>

MSL Info

<https://www.johansontechnology.com/msl-rating>

To Download Measured S-parameters for Evaluation and Simulation:

<https://www.johansontechnology.com/low-pass-filters>

For layout review, s-params, etc., please contact our Applications Team at:

<https://www.johansontechnology.com/ask-a-question>

Mini SMD Chip Antennas at:

<https://www.johansontechnology.com/antennas>

Johanson Technology, Inc. reserves the right to make design changes without notice.
All sales are subject to Johanson Technology, Inc. terms and conditions.



<https://www.johansontechnology.com>

4001 Calle Tecate • Camarillo, CA 93012 • TEL 805.389.1166 FAX 805.389.1821

Ver. 3.2

2019 Johanson Technology, Inc. All Rights Reserved

Looking for pricing, stock, or lifecycle information?

Click below to explore more details on WIN SOURCE:

 [View 2450LP14B0100001T on WIN SOURCE](#)

 [Johanson Technology Inc. Information](#)

Optimize Your Supply Chain with WIN SOURCE Solutions

-  Global Sourcing Solution
-  Obsolete Management
-  Cost Control Management
-  Shortage Management
-  Alternative Solution
-  Excess Inventory Management