

48Vdc 50A EMC Filter

https://product.tdk.com/en/search/emc/emc/power-line/info?part_no=RDEN-048050

<https://www.emea.lambda.tdk.com/uk/products/r-series>



Industrial



Test



LED



COMM



Broadcast

The cost effective RDEN EMC filter is enclosed in a compact, low profile metal case and is rated at up to 76Vdc at 50A. The filter uses TDK's ferrite core material to provide high noise attenuation over a wide frequency range. Major applications for the filter are ITE (Information Technology Equipment) and telecommunications. Terminations are made via the product's large studs for easy connection. The filter is certified to EN60939 -1/-2.

Features

- Wide Frequency Range
- High Noise Attenuation
- Large Termination Studs
- Low Profile

Benefits

- Assists Compliance to Common Standards
- Greater Noise Reduction
- Easier Connection
- Space Saving in Cabinets

Model Selector

Model	Rated Current (A)	Maximum DC Resistance (mΩ)	Attenuation frequency range (MHz)	
			Common mode at 30dB	Differential mode at 25dB
RDEN-048050	50	3	0.2 to 10	0.7 to 30

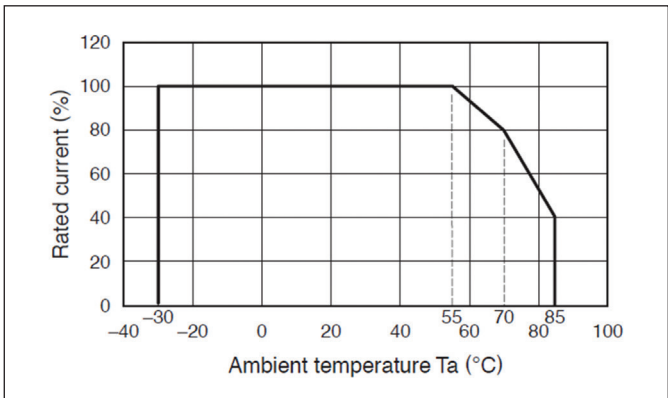
RDEN	-	048	050
Series Name		Rated Voltage 048 = 48Vdc	Rated Current 050 = 50A

Specification		
Model		
Input		
Rated Voltage	Vdc	76 maximum
Safety Certifications and Markings	-	EN60939-1, -2, conforms to RoHS Directive
Environmental		
Operating Temperature	°C	-30 to +85, derating above 55. See derating curve below
Storage Temperature	°C	-30 to +85
Humidity (non condensing)	%RH	Operating 30 - 95 and storage 10 - 95
Cooling	-	Convection
Withstand Voltage	Vdc	1,500 input to earth, 100 between terminals
Isolation Resistance (For 1 minute)	MΩ	>500 at 500Vdc
Vibration	-	10-55Hz Amplitude 1.5mm, Sweep for 1 min. X, Y and Z directions for 2 hours each
Other		
Weight (Typ)	g	310
Size (LxWxH)	mm	116 x 60 x 30 (including studs)
Size (LxWxH)	Inches	4.57 x 2.36 x 1.18 (including studs)
Connectors	-	M5 studs
MIL-HDBK-217F NOTICE2	Hours	11,598,237
Warranty	Years	5

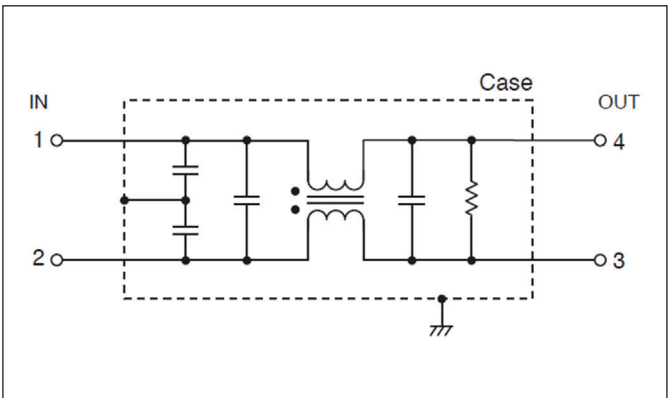
*Notes
See website for detailed specifications, test methods and installation manual
[RDEN technical files](#)

Mechanical Specification

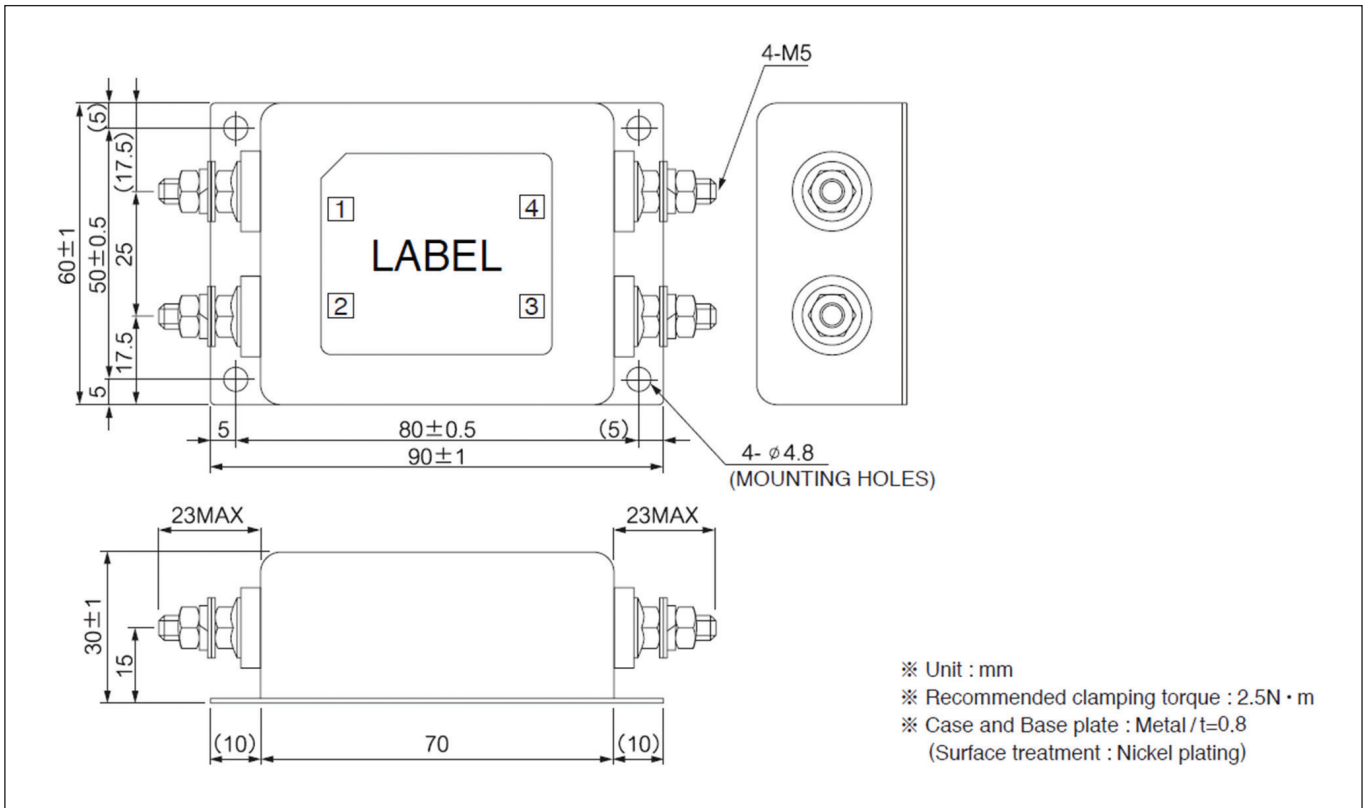
Derating Curve



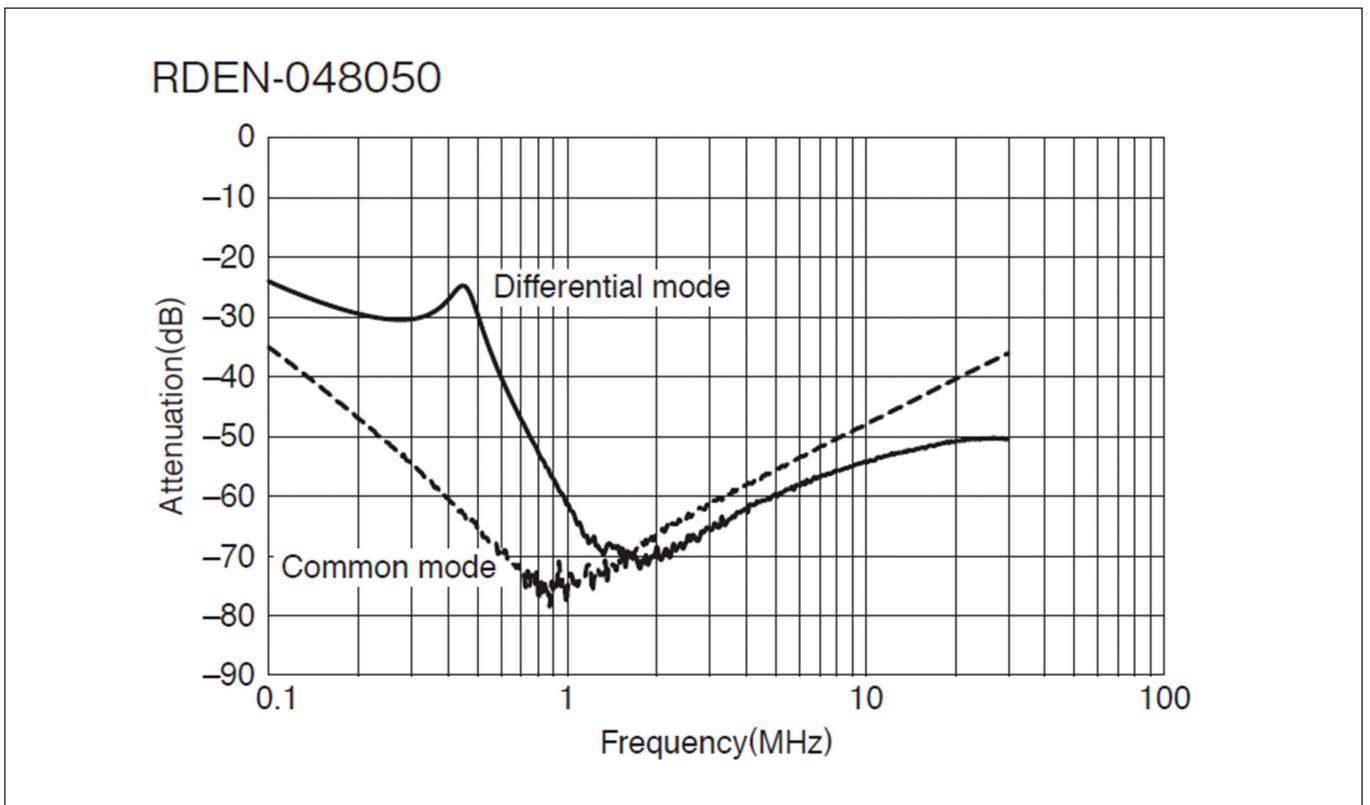
Schematic



RDEN Outline Drawing



RDEN Attenuation vs. Frequency





TDK-Lambda France SAS

Tel: +33 1 60 12 71 65
 ttf.fr-powersolutions@tdk.com
 www.emea.lambda.tdk.com/fr



Italy Sales Office

Tel: +39 02 61 29 38 63
 ttf.it-powersolutions@tdk.com
 www.emea.lambda.tdk.com/it



Netherlands

ttf.nl-powersolutions@tdk.com
 www.emea.lambda.tdk.com/nl



TDK-Lambda Germany GmbH

Tel: +49 7841 666 0
 tlg.powersolutions@tdk.com
 www.emea.lambda.tdk.com/de



Austria Sales Office

Tel: +43 2256 655 84
 tlg.at-powersolutions@tdk.com
 www.emea.lambda.tdk.com/at



Switzerland Sales Office

Tel: +41 44 850 53 53
 tlg.ch-powersolutions@tdk.com
 www.emea.lambda.tdk.com/ch



Nordic Sales Office

Tel: +45 8853 8086
 tlg.dk-powersolutions@tdk.com
 www.emea.lambda.tdk.com/dk



TDK-Lambda UK Ltd.

Tel: +44 (0) 12 71 85 66 66
 tlu.powersolutions@tdk.com
 www.emea.lambda.tdk.com/uk



TDK-Lambda Ltd.

Tel: +9 723 902 4333
 tli.powersolutions@tdk.com
 www.emea.lambda.tdk.com/il-en



TDK-Lambda Americas

Tel: +1 800-LAMBDA-4 or 1-800-526-2324
 tia.powersolutions@tdk.com
 www.us.lambda.tdk.com



TDK Electronics do Brasil Ltda

Tel: +55 11 3289-9599
 sales.br@tdk-electronics.tdk.com
 www.tdk-electronics.tdk.com/en



TDK-Lambda Corporation

Tel: +81-3-6778-1113
 www.jp.lambda.tdk.com



TDK-Lambda (China) Electronics Co. Ltd.

Tel: +86 21 6485-0777
 tlc.powersolutions@tdk.com
 www.lambda.tdk.com.cn



TDK-Lambda Singapore Pte Ltd.

Tel: +65 6251 7211
 tls.marketing@tdk.com
 www.sg.lambda.tdk.com



TDK India Private Limited, Power Supply Division

Tel: +91 80 4039-0660
 mathew.philip@tdk.com
 www.sg.lambda.tdk.com



Looking for pricing, stock, or lifecycle information?

Click below to explore more details on WIN SOURCE:

- ⊖ [View RDEN-048050 on WIN SOURCE](#)
- ⊖ [TDK-Lambda Americas Inc. Information](#)

Optimize Your Supply Chain with WIN SOURCE Solutions

- ✓ Global Sourcing Solution
- ✓ Obsolete Management
- ✓ Cost Control Management
- ✓ Shortage Management
- ✓ Alternative Solution
- ✓ Excess Inventory Management