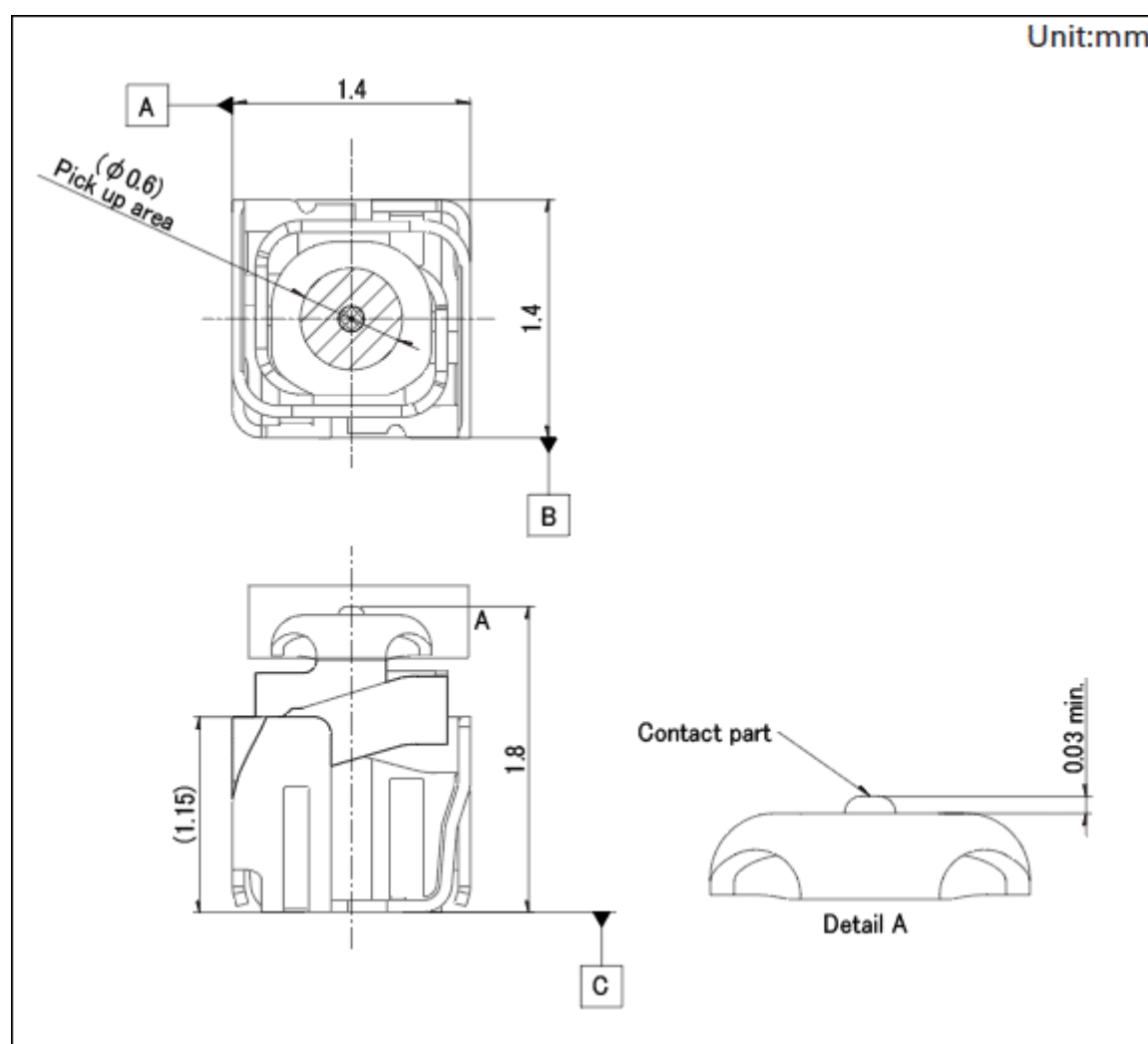


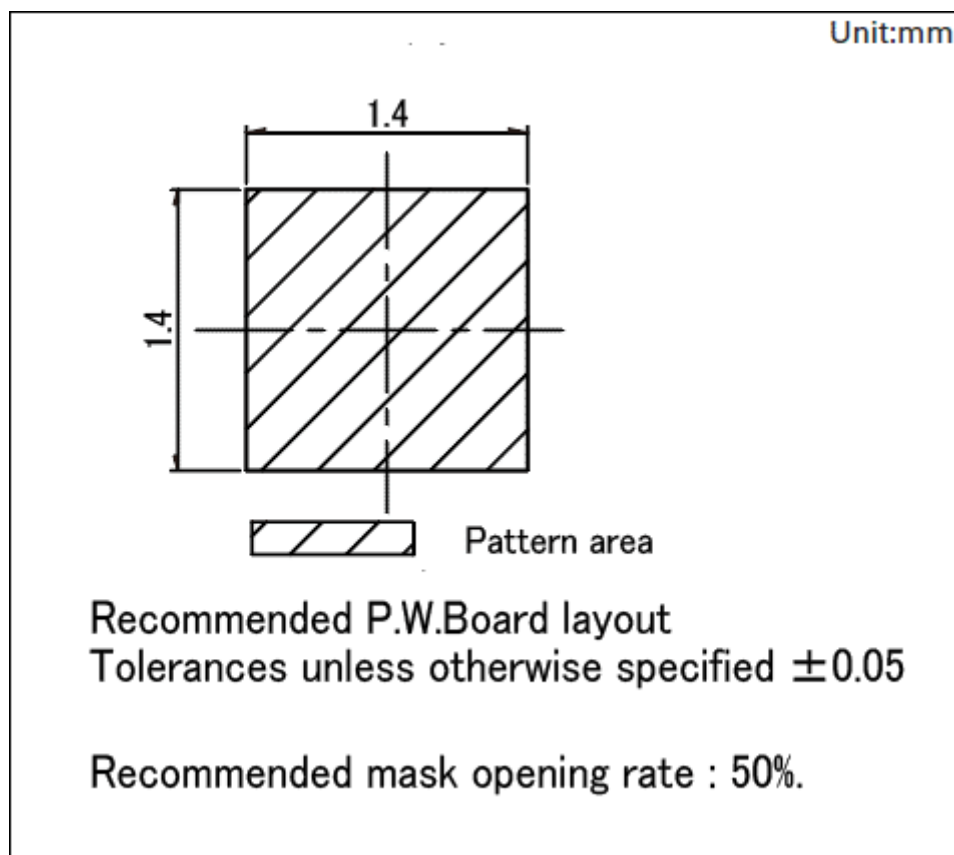
## Spring Contact SCTA\_A Series (Standard Type)

Dimensions (W × D)	1.4 × 1.4mm
Height in use	1.2 to 1.6mm
Travel	0.6mm
Mounting type	Surface mounting type
Mounting style	Standard mount
Packing system	Taping
Minimum order unit (pcs.)	11,000
Operating temperature range	-30°C to +85°C
Rated current	3A
Contact resistance (Initial)	Connector contacts 40mΩ max.
Stroke Frequency	500 times

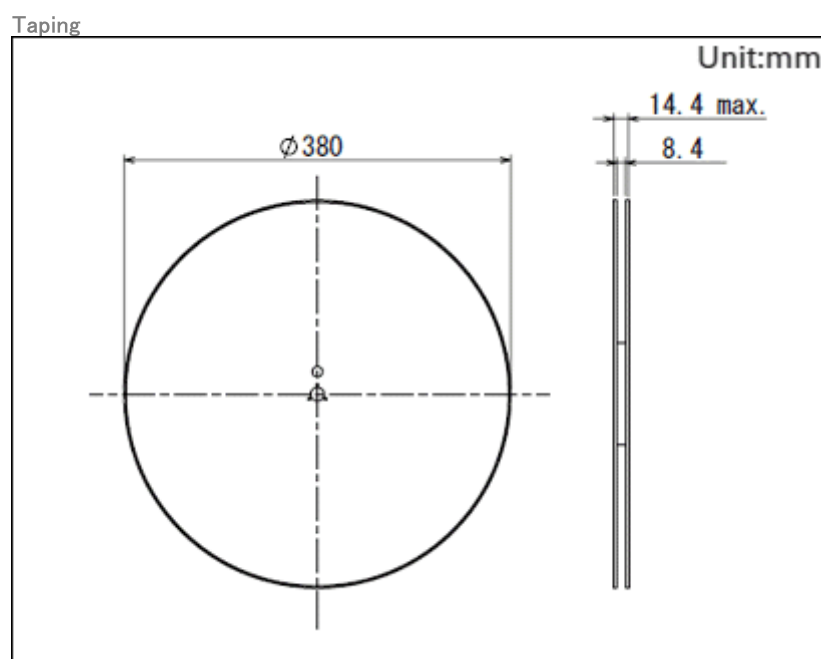
### Dimensions



### Land Dimensions

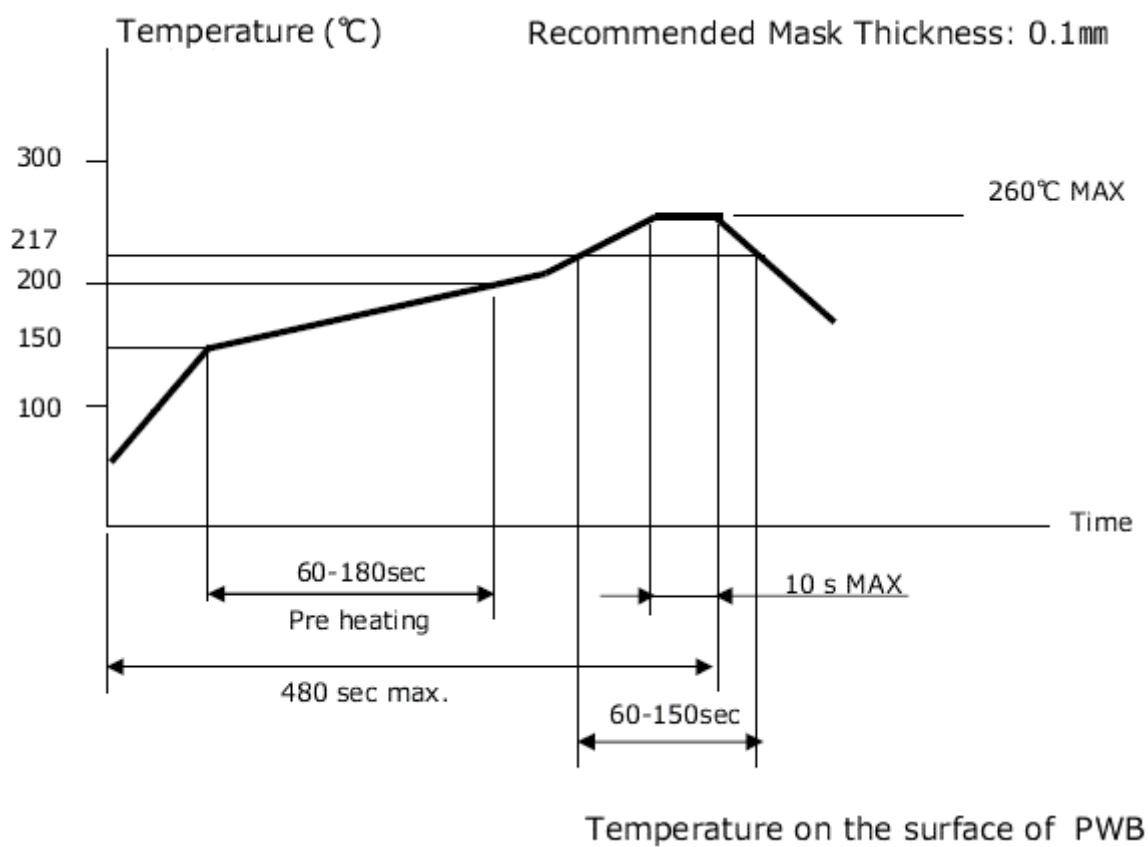


Packing Specifications



Number of packages (pcs.)	1 reel	11,000
	1 case / Japan	33,000
	1 case / export packing	66,000
Tape width (mm)	8	
Export package measurements (mm)	403 × 403 × 167	

Soldering Conditions



Notes are common to this series/models.

1. This site catalog shows only outline specifications. When using the products, please obtain formal specifications for supply.
2. Please place purchase orders per minimum order unit (integer).

## Looking for pricing, stock, or lifecycle information?

Click below to explore more details on WIN SOURCE:

[View SCTA4A0100 on WIN SOURCE](#)

[Alps Alpine Information](#)

## Optimize Your Supply Chain with WIN SOURCE Solutions

- ✓ Global Sourcing Solution
- ✓ Obsolete Management
- ✓ Cost Control Management
- ✓ Shortage Management
- ✓ Alternative Solution
- ✓ Excess Inventory Management