

# High Frequency Ceramic Solutions

312-434 MHz Low Pass Filter. Lighting, Remote Control, Smart Home, Automotive Key Fobs, Location Services, AMR, AEC-Q200 Qualified

P/N: 0400LP15A0122E-AEC

Detail Specification: 2/21/2018

Page 1 of 3

## General Specifications

Frequency (MHz)	312 - 434	Operating Temperature	-40 to +105°C
Insertion Loss (dB)	0.9 Typ. (1.3 max)	Recommended Storage Conditions of unused product on T&R and period	+5 to +35 °C Humidity 45~75%RH 18 months
Return Loss (dB)	15 Typ. (9.5 min)		
Attenuation @ 624-630MHz (dB)	28 Typ. (20 Min.)	Power Capacity	2W max. (CW)
Attenuation @ 800-900MHz (dB)	30 Typ. (25 Min.)		
Attenuation @ 900-950MHz (dB)	35 Typ. (30 Min.)		
Attenuation @ 1575MHz (dB)	38 Typ. (35 Min.)		
Attenuation @ 1700-2100MHz (dB)	34 Typ. (28 Min.)		
Attenuation @ 2195-2205 (dB)	38 Typ. (35 Min.)		
Attenuation @ 2400-2600 (dB)	30 Typ. (25 Min.)		



Do you need us to review your layout for free or may be looking for a small SMD antenna ?  
Contact us at: [www.johansontechnology.com/ask-a-question](http://www.johansontechnology.com/ask-a-question)

## Mechanical Dimensions

	In	mm
L	0.079 ± 0.004	2.00 ± 0.10
W	0.049 ± 0.004	1.25 ± 0.10
T	0.037 ± 0.004	0.95 ± 0.10
a	0.012 ± 0.004	0.30 ± 0.10
b	0.008 +.004/-0.006	0.20 +0.1/-0.15
c	0.012 ± 0.004	0.30 ± 0.10
g	0.014 ± 0.004	0.35 ± 0.10
p	0.026 ± 0.002	0.65 ± 0.05

## Terminal Configuration

No.	Function
1	GND
2	NC
3	GND
4	I/O
5	GND
6	NC
7	GND
8	I/O

## Mounting Considerations

- Solder Resist
- Land
- RF GND Vias Through-hole ( $\phi$  0.3)

\* Trace must be designed to a 50 $\Omega$  characteristic impedance based on PCB material and thickness. Grounded CPWG style trace recommended.

Want the layout file or need us to review your layout?  
Send us a message at:  
[www.johansontechnology.com/ask-a-question](http://www.johansontechnology.com/ask-a-question)

Johanson Technology, Inc. reserves the right to make design changes without notice.  
All sales are subject to Johanson Technology, Inc. terms and conditions.



[www.johansontechnology.com](http://www.johansontechnology.com)  
4001 Calle Tecate • Camarillo, CA 93012 • TEL 805.389.1166 FAX 805.389.1821  
Ver. 1.1 2018 Johanson Technology, Inc. All Rights Reserved

# High Frequency Ceramic Solutions

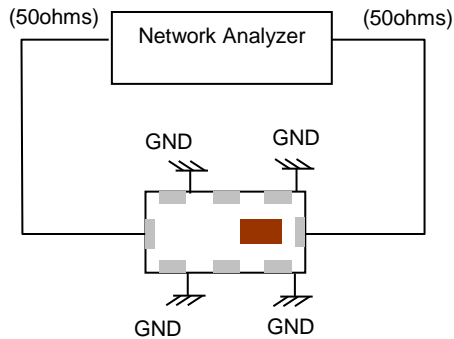
312-434 MHz Low Pass Filter. Lighting, Remote Control, Smart Home, Automotive Key Fobs, Location Services, AMR, AEC-Q200 Qualified

P/N: 0400LP15A0122E-AEC

Detail Specification: 2/21/2018

Page 2 of 3

## Measuring Diagram

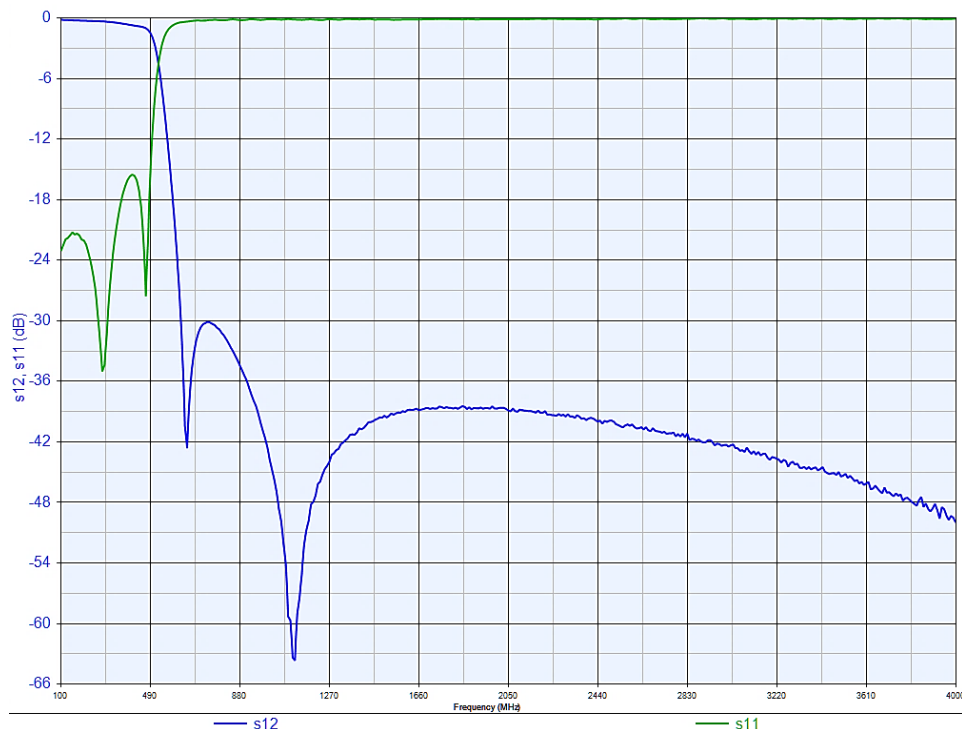


Click here Order the SMA-ready Evaluation Board p/n 0400LP15A0122-EB1SMA:  
[www.johansontechnology.com/request-a-](http://www.johansontechnology.com/request-a-)

Want the layout file of this? Send us a message at:  
[www.johansontechnology.com/ask-a-question](http://www.johansontechnology.com/ask-a-question)

Let us help with your filter (or Johanson antenna) layout for best performance and send us a message by clicking on the link above.

## Typical Electrical Performance (T=25°C)



Johanson Technology, Inc. reserves the right to make design changes without notice.  
All sales are subject to Johanson Technology, Inc. terms and conditions.



[www.johansontechnology.com](http://www.johansontechnology.com)  
4001 Calle Tecate • Camarillo, CA 93012 • TEL 805.389.1166 FAX 805.389.1821  
Ver. 1.1 2018 Johanson Technology, Inc. All Rights Reserved

# High Frequency Ceramic Solutions

312-434 MHz Low Pass Filter. Lighting, Remote Control, Smart Home,  
Automotive Key Fobs, Location Services, AMR, AEC-Q200 Qualified

P/N: 0400LP15A0122E-AEC

Detail Specification: 2/21/2018

Page 3 of 3

## Part Number Explanation

P/N Suffix	Packing Style	Bulk	Suffix = S	0400LP15A0122S-AEC
		T & R	Suffix = T	0400LP15A0122E-AEC (Reel:4000pcs)
	50Ω SMA Connector Eval Board		0400LP15A0122E-EB1SMA (orderable p/n)	

## Packaging information

[www.johansontechnology.com/tape-reel-packaging](http://www.johansontechnology.com/tape-reel-packaging)

## Soldering Information

[www.johansontechnology.com/typical-soldering-profile](http://www.johansontechnology.com/typical-soldering-profile)

## RoHS Compliance

[www.johansontechnology.com/rohs-compliance](http://www.johansontechnology.com/rohs-compliance)

## MSL Info

[www.johansontechnology.com/msl-rating](http://www.johansontechnology.com/msl-rating)

## To Download Measured S-parameters for Evaluation and Simulation:

[www.johansontechnology.com/low-pass-filters](http://www.johansontechnology.com/low-pass-filters)

## For layout review contact our Applications Team at:

[www.johansontechnology.com/ask-a-question](http://www.johansontechnology.com/ask-a-question)

## Mini SMD Chip Antennas at:

[www.johansontechnology.com/antennas](http://www.johansontechnology.com/antennas)



Johanson Technology, Inc. reserves the right to make design changes without notice.  
All sales are subject to Johanson Technology, Inc. terms and conditions.




[www.johansontechnology.com](http://www.johansontechnology.com)  
4001 Calle Tecate • Camarillo, CA 93012 • TEL 805.389.1166 FAX 805.389.1821  
Ver. 1.1 2018 Johanson Technology, Inc. All Rights Reserved

## Looking for pricing, stock, or lifecycle information?

Click below to explore more details on WIN SOURCE:

-  [View 0400LP15A0122E on WIN SOURCE](#)
-  [Johanson Technology Inc. Information](#)

## Optimize Your Supply Chain with WIN SOURCE Solutions

-  Global Sourcing Solution
-  Obsolete Management
-  Cost Control Management
-  Shortage Management
-  Alternative Solution
-  Excess Inventory Management