

PTS645 Series

6.0 x 6.0 mm Tactile Switches



Specifications

| | |
|----------------------------|------------------|
| Function | Momentary action |
| Contact Arrangement | SPST, N.O. |
| Terminals | PC pins |

Electrical Characteristics

| | |
|------------------------------|---|
| Contact Rating | Max. 50mA@12VDC Min. 10 μ A@1VDC |
| Dielectric Strength | 250 V AC min. |
| Contact Resistance | 100 m Ω max. initial |
| Insulation Resistance | 10 ¹¹ Ω min. |

Environmental Characteristics

| | |
|------------------------------|---------------|
| Operating Temperature | -40°C to 85°C |
| Storage Temperature | |

Notes:

Specifications listed above are for switches with standard options. For information on specific and custom switches, consult Customer Service Center.

The PTS series is not certified for using in Automotive application and no PPAP. However, in the case of some automotive accessories and specific applications for 2 and 3 wheeled vehicles the PTS is widely used and very suitable. Please contact your local C&K representative to discuss your application and the best switch solution.

Description

The PTS645 switch series are 6mm tactile switches, designed to provide those designing for consumer product, instrumentation and computing equipment applications the long-lasting, responsive switch they need. PTS645 switches are compact (6 x 6mm) and are available in a variety of actuator lengths, with a choice of actuation force, allowing you to customize the switch to your product's needs.

Features & Benefits

- Compact size 6 x 6 mm
- Variety of actuator lengths
- Choice of actuation force
- RoHS compliant and compatible

Applications

- Consumer products
- Instrumentation
- Computer products
- Industrial

Process

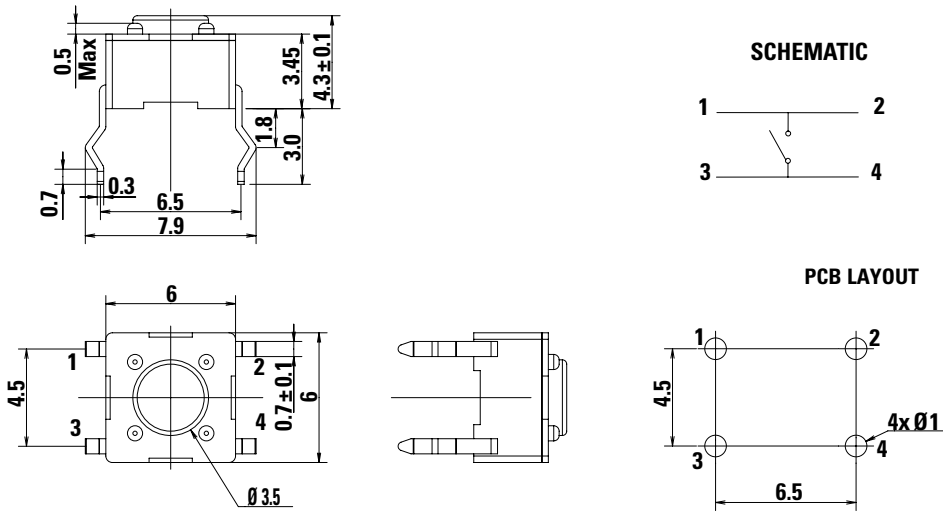
| | |
|------------------|---|
| Soldering | Test 2 times Max. Reflow soldering conditions (Reference standard: J-STD-020) Preheat—150°C-200°C, 60-120 (sec) Peak temperature—260°C Max. 10 (sec) Soldering area temperature—217°C, 60-150 (sec) |
|------------------|---|

PTS645 Series

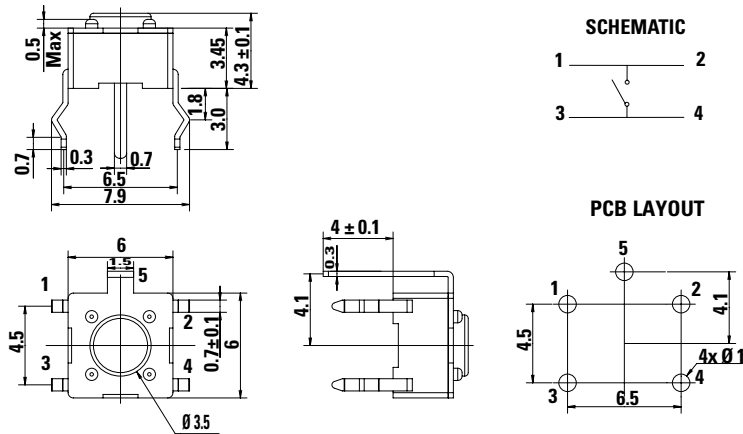
6.0 x 6.0 mm Tactile Switches



Termination (mm) S Straight



T Straight with ESD pin

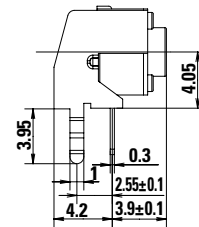
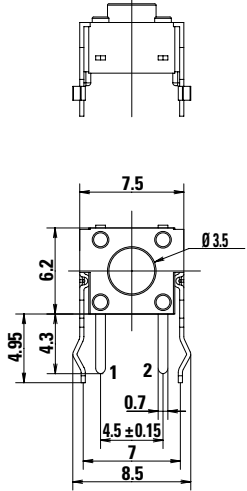


PTS645 Series

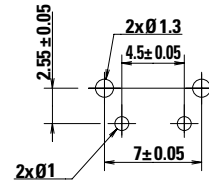
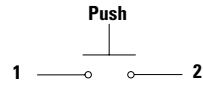
6.0 x 6.0 mm Tactile Switches



V Vertical THT

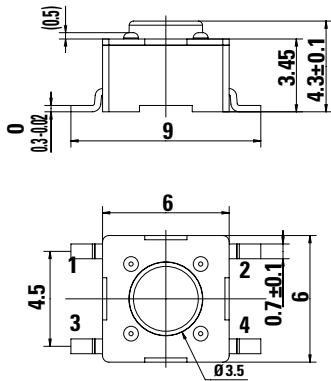


SCHEMATIC

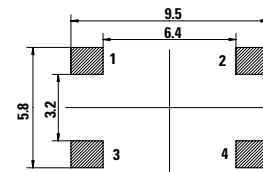
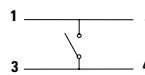


PCB LAYOUT

SMT G Type



SCHEMATIC



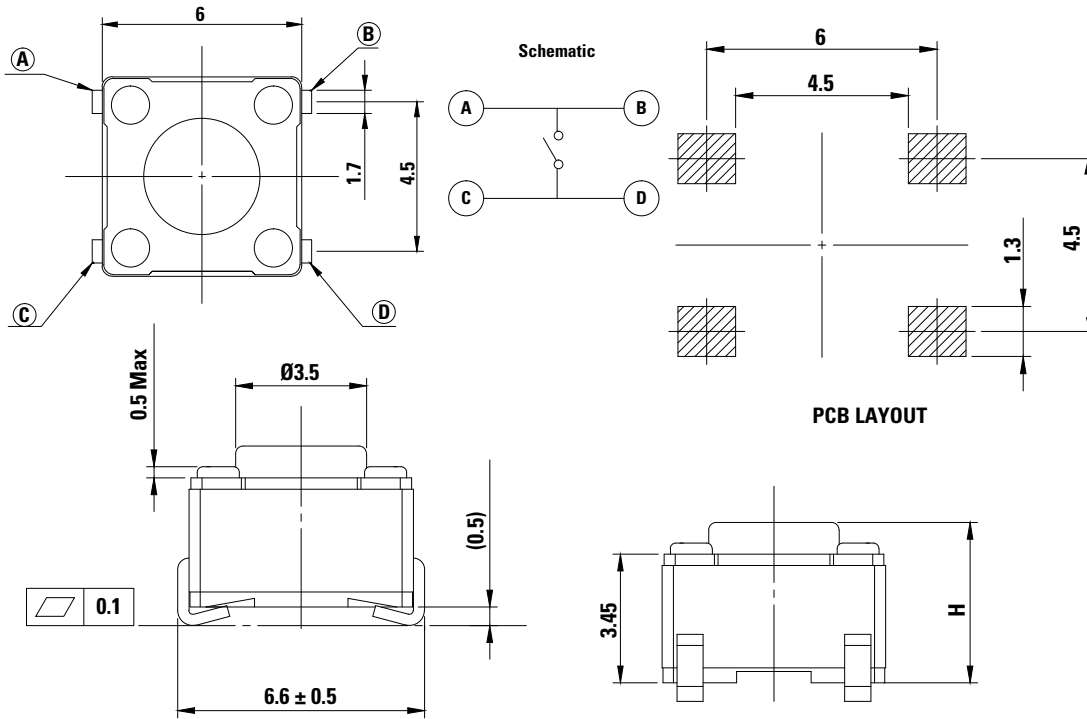
PCB LAYOUT

PTS645 Series

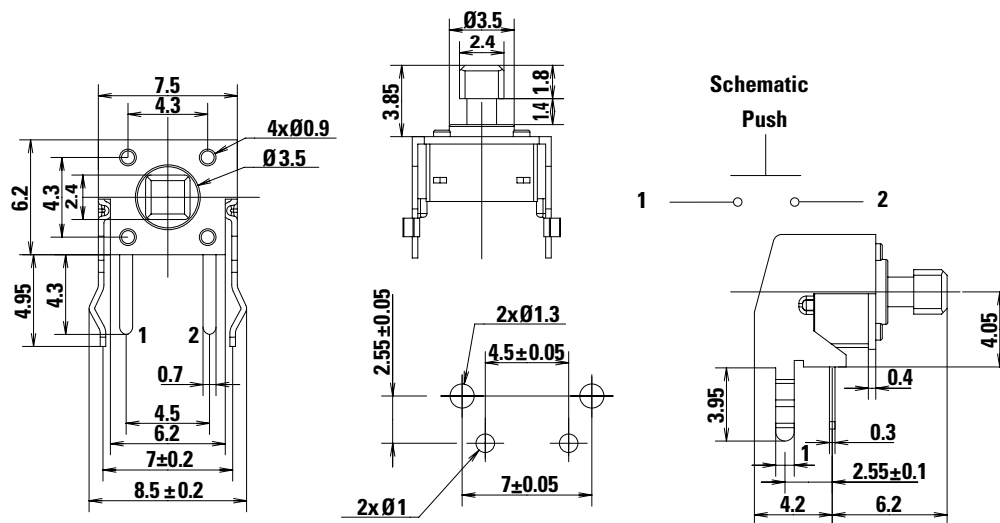
6.0 x 6.0 mm Tactile Switches



SMT J Type



Actuator Shape J Square Actuator Vertical THT - for 6.15mm length only



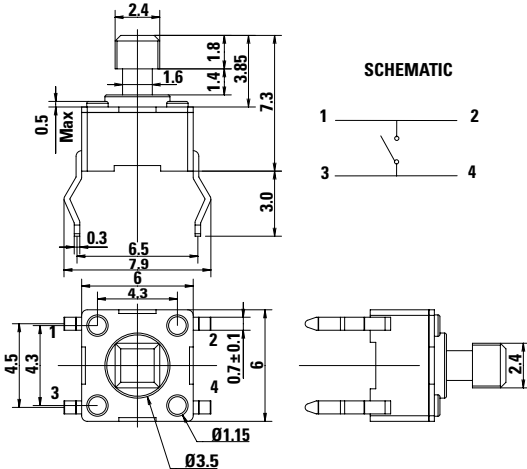
Recommended PCB Layout

PTS645 Series

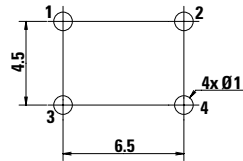
6.0 x 6.0 mm Tactile Switches



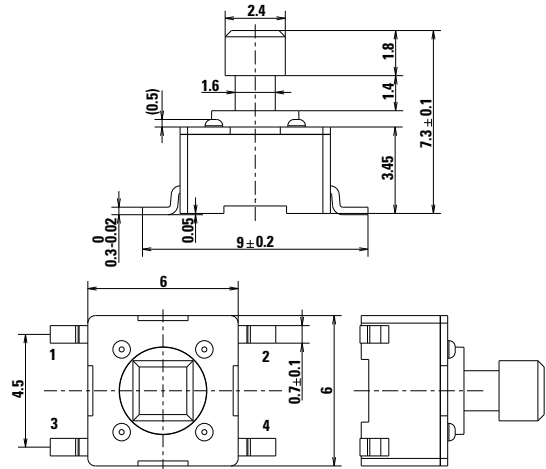
Straight THT - for 7.3mm height only



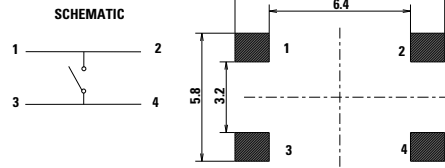
RECOMMENDED PCB LAYOUT



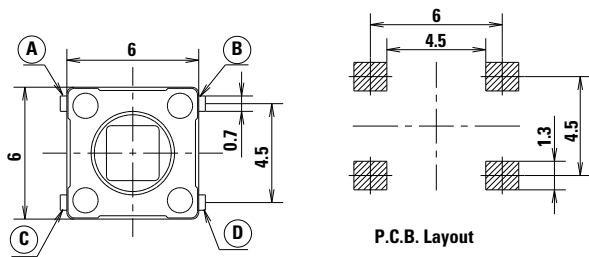
Straight SMT G Type - for 7.3mm height only



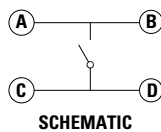
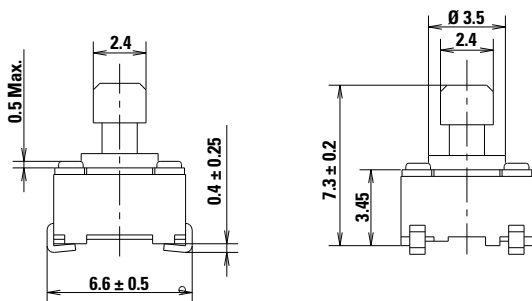
RECOMMENDED PCB LAYOUT



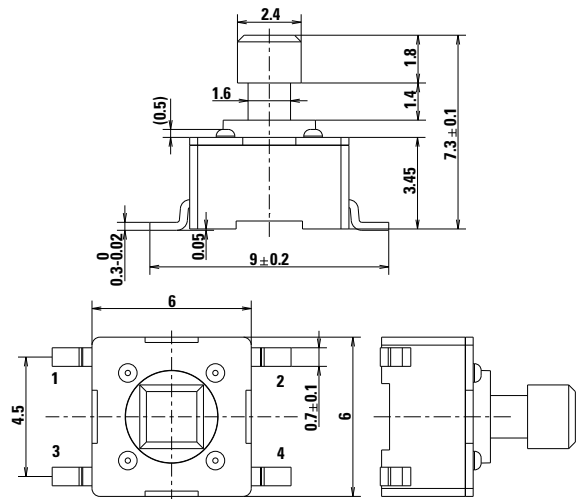
Straight SMT J Type - for 7.3mm height only



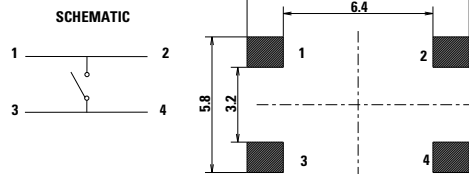
P.C.B. Layout



Straight SMT - for 7.3mm height only



RECOMMENDED PCB LAYOUT

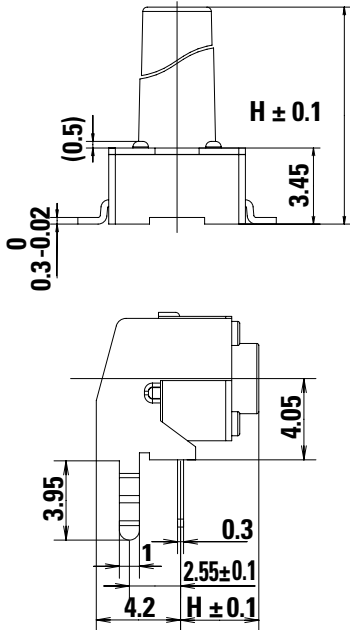


PTS645 Series

6.0 x 6.0 mm Tactile Switches



Actuator Height



Switch height from PCB for S and T only

| Option Code | Dimension H | Termination | Schematic | |
|-------------|--------------|-------------------|-----------------|--------------|
| | | | Without EMC pin | With EMC pin |
| 43 | 4.3 (0.169) | Thru-hole and SMT | | |
| 50 | 5.0 (0.197) | | | |
| 70 | 7.0 (0.275) | | | |
| 95 | 9.5 (0.374) | SMT | | |
| 13 | 13.0 (0.512) | | | |

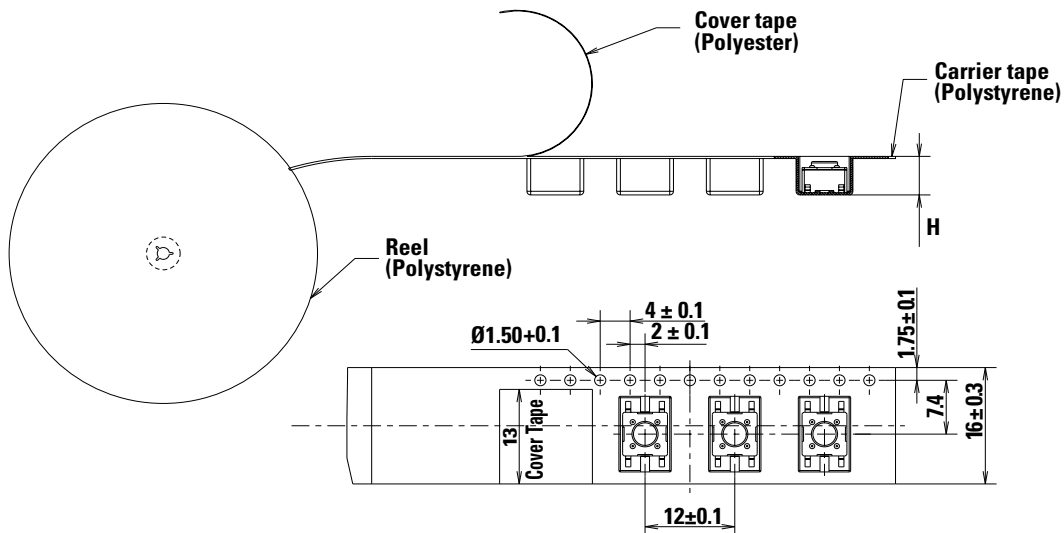
Switch length from front leads for V only

| Option Code | Dimension H | Termination | Schematic | |
|-------------|--------------|-------------|-----------------|--------------|
| | | | Without EMC pin | With EMC pin |
| 31 | 3.15 (0.124) | Vertical | N/A | |
| 39 | 3.85 (0.151) | | | |
| 58 | 5.85 (0.230) | | | |
| 83 | 8.35 (0.329) | | | |

Tape Dimension

| Option Code | Width Tape | Pocket Height |
|-------------|------------|---------------|
| 43 | 16 ± 0.3 | 5.3 |
| 50 | | 7.3 |
| 73 | | 7.6 |
| 95 | 24 ± 0.3 | 10.3 |
| 13 | | 13.3 |

Tape & Reel for SMT G type Versions

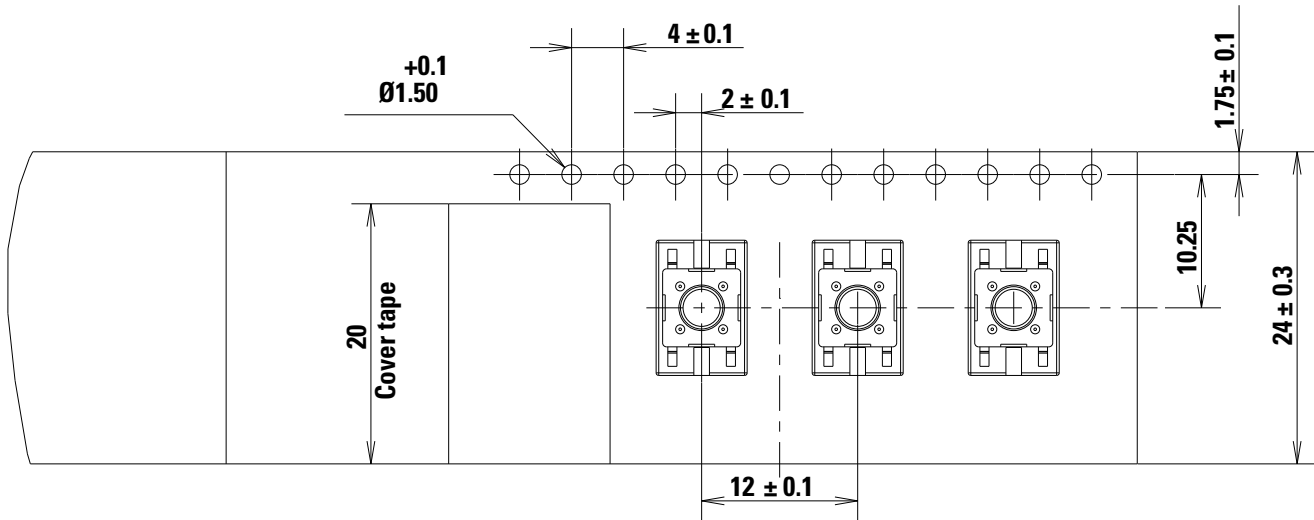


PTS645 Series

6.0 x 6.0 mm Tactile Switches

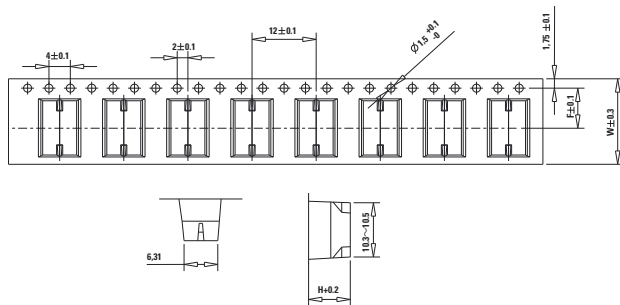


Packaging



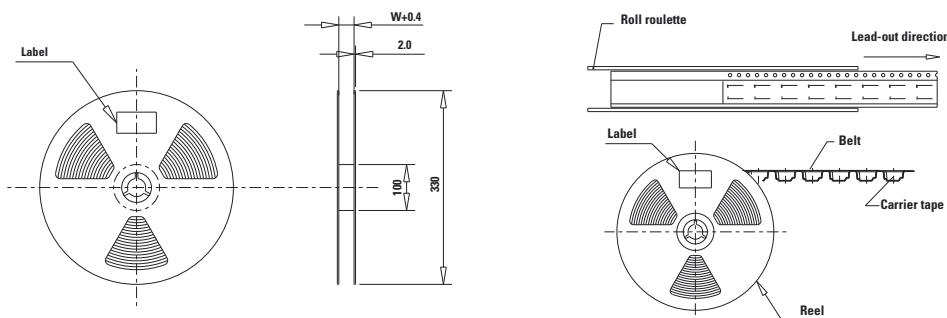
Note:
 Bulk Packaging
 Tape & reel for the SMT type:
 Reels of 1,000 pieces for 4.3 and 5.0 mm height.
 Reels of 700 pieces for 7.0 mm height.
 Reels of 700 pieces for 7.3 mm height.
 Reels of 500 pieces for 9.5 mm height.
 Reels of 400 pieces for 13.0 mm height.

Tape & Reel for SMT J type Versions



| Product Height | Carrier Width Tape (W) mm | Center Distance of Carrier Tape (F) mm | pcs/reel |
|----------------|---------------------------|--|----------|
| 4.3 | 16 | 7.5 | 1000 |
| 5.0 | | | |
| 7.0 | | | |
| 7.3 | 24 | 11.5 | 700 |
| 9.5 | | | |
| 11 | | | |
| 13 | | | 500 |

Note:
 The disc rotates counterclockwise. According to the packing shown in the figure, the braid must not be twisted to prevent product deformation.



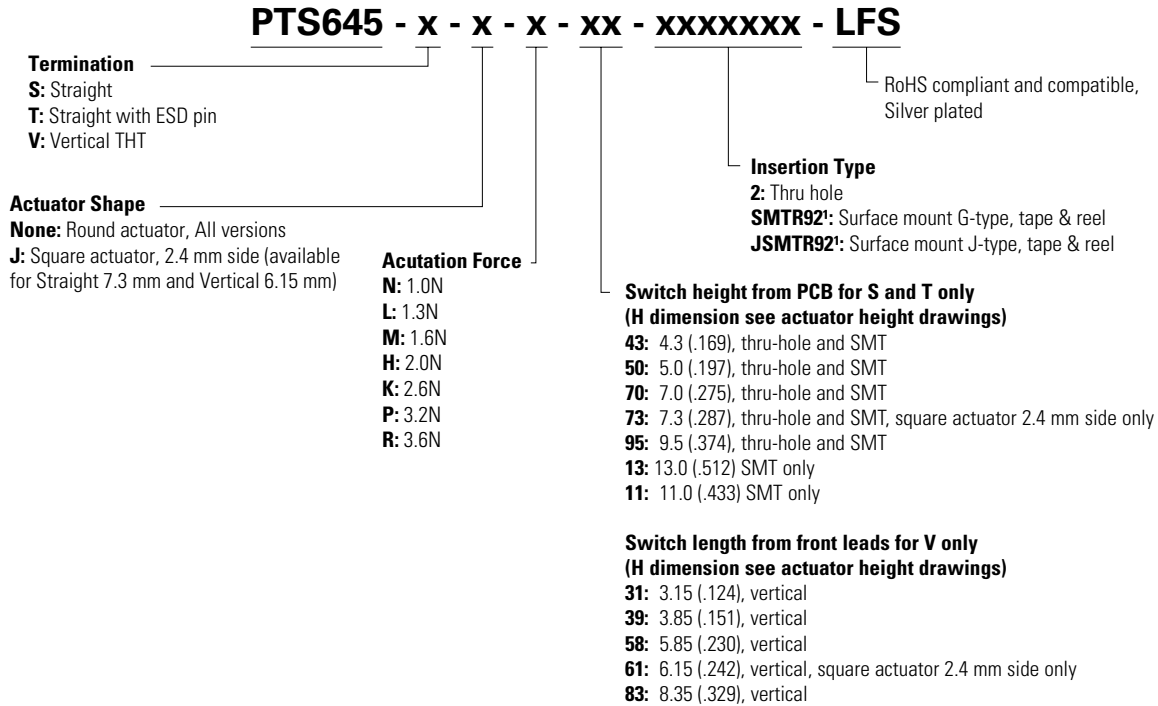
PTS645 Series

6.0 x 6.0 mm Tactile Switches



Ordering Number

Our easy build-a-switch concept allows you to mix and match options to create the switch you need. To order, select desired option from each category and place it in the appropriate box.



Notes:

1. Only the straight type termination without ESD pin is available in SMT type
 Long life version has to be created case by case as special part number

PTS645 Series

6.0 x 6.0 mm Tactile Switches



Mechanical Characteristics

Surface Mount

| Supply status | Littelfuse Orderable Part Number | Description | Contact & Terminals Plating | Termination | Actuation Force (N) | Operating Life (operations) | Electrical Travel (mm) | Height from PCB | Orientation | Actuator Shape |
|---------------|----------------------------------|------------------------|-----------------------------|-------------|---------------------|-----------------------------|------------------------|-----------------|-------------|----------------|
| ✓ | Y97HT23B4PAFP | PTS645SH13SMTR92 LFS | Silver | Gull Wing | 2.0 +/-0.5 | 100,000 | 0.30 +0.1/-0.15 | 13.0mm | Straight | Round |
| ✓ | Y97HT23B4EAFP | PTS645SH43SMTR92 LFS | Silver | Gull Wing | 2.0 +/-0.5 | 100,000 | 0.30 +0.1/-0.15 | 4.3mm | Straight | Round |
| ✓ | Y97HT23B4FAFP | PTS645SH50SMTR92 LFS | Silver | Gull Wing | 2.0 +/-0.5 | 100,000 | 0.30 +0.1/-0.15 | 5.0mm | Straight | Round |
| ✓ | Y97HT23B4GAFP | PTS645SH70SMTR92 LFS | Silver | Gull Wing | 2.0 +/-0.5 | 100,000 | 0.30 +0.1/-0.15 | 7.0mm | Straight | Round |
| ✓ | Y97JT23B5HAFP | PTS645SJK73SMTR92 LFS | Silver | Gull Wing | 2.6 +/-0.5 | 100,000 | 0.30 +0.1/-0.15 | 7.3mm | Straight | Square |
| ✓ | Y97JT23B2HAFP | PTS645SJM73SMTR92 LFS | Silver | Gull Wing | 1.6 +/-0.3 | 100,000 | 0.30 +0.1/-0.15 | 7.3mm | Straight | Square |
| ✓ | Y97JT23B0HAFP | PTS645SJN73SMTR92 LFS | Silver | Gull Wing | 1.0 +/- 0.3 | 100,000 | 0.30 +0.1/-0.15 | 7.3mm | Straight | Square |
| ✓ | Y97HT23B5PAFP | PTS645SK13SMTR92 LFS | Silver | Gull Wing | 2.6 +/-0.5 | 100,000 | 0.30 +0.1/-0.15 | 13.0mm | Straight | Round |
| ✓ | Y97HT23B5EAFP | PTS645SK43SMTR92 LFS | Silver | Gull Wing | 2.6 +/-0.5 | 100,000 | 0.30 +0.1/-0.15 | 4.3mm | Straight | Round |
| ✓ | Y97HT23B5FAFP | PTS645SK50SMTR92 LFS | Silver | Gull Wing | 2.6 +/-0.5 | 100,000 | 0.30 +0.1/-0.15 | 5.0mm | Straight | Round |
| ✓ | Y97HT23B5GAFP | PTS645SK70SMTR92 LFS | Silver | Gull Wing | 2.6 +/-0.5 | 100,000 | 0.30 +0.1/-0.15 | 7.0mm | Straight | Round |
| ✓ | Y97HT23B5KAFP | PTS645SK95SMTR92 LFS | Silver | Gull Wing | 2.6 +/-0.5 | 100,000 | 0.30 +0.1/-0.15 | 9.5mm | Straight | Round |
| ✓ | Y97HT23B1PAFP | PTS645SL13SMTR92 LFS | Silver | Gull Wing | 1.3 +/-0.3 | 100,000 | 0.25 +0.1/-0.15 | 13.0mm | Straight | Round |
| ✓ | Y97HT23B1EAFP | PTS645SL43SMTR92 LFS | Silver | Gull Wing | 1.3 +/-0.3 | 100,000 | 0.25 +0.1/-0.15 | 4.3mm | Straight | Round |
| ✓ | Y97HT23B1FAFP | PTS645SL50SMTR92 LFS | Silver | Gull Wing | 1.3 +/-0.3 | 100,000 | 0.25 +0.1/-0.15 | 5.0mm | Straight | Round |
| ✓ | Y97HT23B1GAFP | PTS645SL70SMTR92 LFS | Silver | Gull Wing | 1.3 +/-0.3 | 100,000 | 0.25 +0.1/-0.15 | 7.0mm | Straight | Round |
| ✓ | Y97HT23B1KAFP | PTS645SL95SMTR92 LFS | Silver | Gull Wing | 1.3 +/-0.3 | 100,000 | 0.25 +0.1/-0.15 | 9.5mm | Straight | Round |
| ✓ | G01157771 | PTS645SM11SMTR92 LFS | Silver | Gull Wing | 1.6 +/-0.3 | 100,000 | 0.30 +0.1/-0.15 | 11.0mm | Straight | Round |
| ✓ | Y97HT23B2PAFP | PTS645SM13SMTR92 LFS | Silver | Gull Wing | 1.6 +/-0.3 | 100,000 | 0.30 +0.1/-0.15 | 13.0mm | Straight | Round |
| ✓ | Y97HT23B2EAFP | PTS645SM43SMTR92 LFS | Silver | Gull Wing | 1.6 +/-0.3 | 100,000 | 0.30 +0.1/-0.15 | 4.3mm | Straight | Round |
| ✓ | Y97HT23B2FAFP | PTS645SM50SMTR92 LFS | Silver | Gull Wing | 1.6 +/-0.3 | 100,000 | 0.30 +0.1/-0.15 | 5.0mm | Straight | Round |
| ✓ | Y97HT23B2GAFP | PTS645SM70SMTR92 LFS | Silver | Gull Wing | 1.6 +/-0.3 | 100,000 | 0.30 +0.1/-0.15 | 7.0mm | Straight | Round |
| ✓ | Y97HT23B2KAFP | PTS645SM95SMTR92 LFS | Silver | Gull Wing | 1.6 +/-0.3 | 100,000 | 0.30 +0.1/-0.15 | 9.5mm | Straight | Round |
| ✓ | G01407944 | PTS645SN13SMTR92 LFS | Silver | Gull Wing | 1.0 +/- 0.3 | 100,000 | 0.25 +/- 0.10 | 13.0mm | Straight | Round |
| ✓ | G01403810 | PTS645SN43SMTR92 LFS | Silver | Gull Wing | 1.0 +/- 0.3 | 100,000 | 0.25 +/- 0.10 | 4.3mm | Straight | Round |
| ✓ | G01468133 | PTS645SN50SMTR92 LFS | Silver | Gull Wing | 1.0 +/- 0.3 | 100,000 | 0.25 +/- 0.10 | 5.0mm | Straight | Round |
| ✓ | G01485957 | PTS645SN95SMTR92 LFS | Silver | Gull Wing | 1.0 +/- 0.3 | 100,000 | 0.25 +/- 0.10 | 9.5mm | Straight | Round |
| ✓ | G01510002 | PTS645SP43SMTR92 LFS | Silver | Gull Wing | 3.2 +/- 0.7 | 100,000 | 0.30 +/-0.10 | 4.3mm | Straight | Round |
| ✓ | G01327719 | PTS645SP50SMTR92 LFS | Silver | Gull Wing | 3.2 +/- 0.7 | 100,000 | 0.30 +/-0.10 | 5.0mm | Straight | Round |
| ✓ | Y97HT23B6KAFP | PTS645SP95SMTR92 LFS | Silver | Gull Wing | 3.2 +/- 0.7 | 100,000 | 0.30 +/-0.10 | 9.5mm | Straight | Round |
| ✓ | Y97HT23B7YAFP | PTS645SR11SMTR92 LFS | Silver | Gull Wing | 3.6 +/- 0.7 | 100,000 | 0.30 +/-0.10 | 11.0mm | Straight | Round |
| ✓ | Y97HT23B7PAFP | PTS645SR13SMTR92 LFS | Silver | Gull Wing | 3.6 +/- 0.7 | 100,000 | 0.30 +/-0.10 | 13.0mm | Straight | Round |
| ✓ | Y97HT23B7EAFP | PTS645SR43SMTR92 LFS | Silver | Gull Wing | 3.6 +/- 0.7 | 100,000 | 0.30 +/-0.10 | 4.3mm | Straight | Round |
| ✓ | GSPTS0066 | PTS645SJM73JSMTR92 LFS | Silver | J-leads | 1.6 +/-0.3 | 100,000 | 0.30 +0.1/-0.15 | 7.3mm | Straight | Square |
| ✓ | GSPTS007404 | PTS645SK43JSMTR92 LFS | Silver | J-leads | 2.6 +/-0.5 | 100,000 | 0.30 +0.1/-0.15 | 4.3mm | Straight | Round |
| ✓ | GSPTS007408 | PTS645SK50JSMTR92 LFS | Silver | J-leads | 2.6 +/-0.5 | 100,000 | 0.30 +0.1/-0.15 | 5.0mm | Straight | Round |
| ✓ | GSPTS007416 | PTS645SK73JSMTR92 LFS | Silver | J-leads | 2.6 +/-0.5 | 100,000 | 0.30 +0.1/-0.15 | 7.3mm | Straight | Round |
| ✓ | GSPTS007402 | PTS645SM43JSMTR92 LFS | Silver | J-leads | 1.6 +/-0.3 | 100,000 | 0.30 +0.1/-0.15 | 4.3mm | Straight | Round |
| ✓ | GSPTS007414 | PTS645SM73JSMTR92 LFS | Silver | J-leads | 1.6 +/-0.3 | 100,000 | 0.30 +0.1/-0.15 | 7.3mm | Straight | Round |
| ✓ | G01270955 | PTS645SN95JSMTR92 LFS | Silver | J-leads | 1.0 +/- 0.3 | 100,000 | 0.25 +/- 0.10 | 9.5mm | Straight | Round |
| ✓ | G01267457 | PTS645SP70JSMTR92 LFS | Silver | J-leads | 3.2 +/- 0.7 | 100,000 | 0.30 +/-0.10 | 7.0mm | Straight | Round |
| ✓ | G01267477 | PTS645SP95JSMTR92 LFS | Silver | J-leads | 3.2 +/- 0.7 | 100,000 | 0.30 +/-0.10 | 9.5mm | Straight | Round |

PTS645 Series

6.0 x 6.0 mm Tactile Switches



Mechanical Characteristics

Thru Hole

| Supply status | Littelfuse Orderable Part Number | Description | Contact & Terminals Plating | Termination | Actuation Force (N) | Operating Life (operations) | Electrical Travel (mm) | Height from PCB | Orientation | Actuator Shape |
|---------------|----------------------------------|-------------------|-----------------------------|-------------|---------------------|-----------------------------|------------------------|-----------------|-----------------------|----------------|
| ✓ | Y97HT21A4EAFP | PTS645SH43-2 LFS | Silver | Thru hole | 2.0 +/-0.5 | 100,000 | 0.30 +0.1/-0.15 | 4.3mm | Straight | Round |
| ✓ | Y97HT21A4FAFP | PTS645SH50-2 LFS | Silver | Thru hole | 2.0 +/-0.5 | 100,000 | 0.30 +0.1/-0.15 | 5.0mm | Straight | Round |
| ✓ | Y97HT21A4GAFP | PTS645SH70-2 LFS | Silver | Thru hole | 2.0 +/-0.5 | 100,000 | 0.30 +0.1/-0.15 | 7.0mm | Straight | Round |
| ✓ | Y97HT21A4KAFP | PTS645SH95-2 LFS | Silver | Thru hole | 2.0 +/-0.5 | 100,000 | 0.30 +0.1/-0.15 | 9.5mm | Straight | Round |
| ✓ | Y97JT21A4HAFP | PTS645SJH73-2 LFS | Silver | Thru hole | 2.0 +/-0.5 | 100,000 | 0.30 +0.1/-0.15 | 7.3mm | Straight | Square |
| ✓ | Y97JT21A5HAFP | PTS645SJK73-2 LFS | Silver | Thru hole | 2.6 +/-0.5 | 100,000 | 0.30 +0.1/-0.15 | 7.3mm | Straight | Square |
| ✓ | Y97JT21A2HAFP | PTS645SJM73-2 LFS | Silver | Thru hole | 1.6 +/-0.3 | 100,000 | 0.30 +0.1/-0.15 | 7.3mm | Straight | Square |
| ✓ | Y97HT21A5EAFP | PTS645SK43-2 LFS | Silver | Thru hole | 2.6 +/-0.5 | 100,000 | 0.30 +0.1/-0.15 | 4.3mm | Straight | Round |
| ✓ | Y97HT21A5FAFP | PTS645SK50-2 LFS | Silver | Thru hole | 2.6 +/-0.5 | 100,000 | 0.30 +0.1/-0.15 | 5.0mm | Straight | Round |
| ✓ | Y97HT21A5GAFP | PTS645SK70-2 LFS | Silver | Thru hole | 2.6 +/-0.5 | 100,000 | 0.30 +0.1/-0.15 | 7.0mm | Straight | Round |
| ✓ | Y97HT21A5KAFP | PTS645SK95-2 LFS | Silver | Thru hole | 2.6 +/-0.5 | 100,000 | 0.30 +0.1/-0.15 | 9.5mm | Straight | Round |
| ✓ | Y97HT21A1EAFP | PTS645SL43-2 LFS | Silver | Thru hole | 1.3 +/-0.3 | 100,000 | 0.25 +0.1/-0.15 | 4.3mm | Straight | Round |
| ✓ | Y97HT21A1FAFP | PTS645SL50-2 LFS | Silver | Thru hole | 1.3 +/-0.3 | 100,000 | 0.25 +0.1/-0.15 | 5.0mm | Straight | Round |
| ✓ | Y97HT21A1GAFP | PTS645SL70-2 LFS | Silver | Thru hole | 1.3 +/-0.3 | 100,000 | 0.25 +0.1/-0.15 | 7.0mm | Straight | Round |
| ✓ | Y97HT21A1KAFP | PTS645SL95-2 LFS | Silver | Thru hole | 1.3 +/-0.3 | 100,000 | 0.25 +0.1/-0.15 | 9.5mm | Straight | Round |
| ✓ | Y97HT21A2EAFP | PTS645SM43-2 LFS | Silver | Thru hole | 1.6 +/-0.3 | 100,000 | 0.30 +0.1/-0.15 | 4.3mm | Straight | Round |
| ✓ | Y97HT21A2FAFP | PTS645SM50-2 LFS | Silver | Thru hole | 1.6 +/-0.3 | 100,000 | 0.30 +0.1/-0.15 | 5.0mm | Straight | Round |
| ✓ | Y97HT21A2GAFP | PTS645SM70-2 LFS | Silver | Thru hole | 1.6 +/-0.3 | 100,000 | 0.30 +0.1/-0.15 | 7.0mm | Straight | Round |
| ✓ | Y97HT21A2KAFP | PTS645SM95-2 LFS | Silver | Thru hole | 1.6 +/-0.3 | 100,000 | 0.30 +0.1/-0.15 | 9.5mm | Straight | Round |
| ✓ | G01331203 | PTS645SN43-2 LFS | Silver | Thru hole | 1.0 +/- 0.3 | 100,000 | 0.25 +/- 0.10 | 4.3mm | Straight | Round |
| ✓ | 10913246 | PTS645SN50-2 LFS | Silver | Thru hole | 1.0 +/- 0.3 | 100,000 | 0.25 +/- 0.10 | 5.0mm | Straight | Round |
| ✓ | G01227931 | PTS645SN73-2 LFS | Silver | Thru hole | 1.0 +/- 0.3 | 100,000 | 0.25 +/- 0.10 | 7.3mm | Straight | Round |
| ✓ | Y97HT22A4EAFP | PTS645TH43-2 LFS | Silver | Thru hole | 2.0 +/-0.5 | 100,000 | 0.30 +0.1/-0.15 | 4.3mm | Straight with ESD Pin | Round |
| ✓ | Y97HT22A4KAFP | PTS645TH95-2 LFS | Silver | Thru hole | 2.0 +/-0.5 | 100,000 | 0.30 +0.1/-0.15 | 9.5mm | Straight with ESD Pin | Round |
| ✓ | Y97HT22A5EAFP | PTS645TK43-2 LFS | Silver | Thru hole | 2.6 +/-0.5 | 100,000 | 0.30 +0.1/-0.15 | 4.3mm | Straight with ESD Pin | Round |
| ✓ | Y97HT22A5GAFP | PTS645TK70-2 LFS | Silver | Thru hole | 2.6 +/-0.5 | 100,000 | 0.30 +0.1/-0.15 | 7.0mm | Straight with ESD Pin | Round |
| ✓ | Y97HT22A5KAFP | PTS645TK95-2 LFS | Silver | Thru hole | 2.6 +/-0.5 | 100,000 | 0.30 +0.1/-0.15 | 9.5mm | Straight with ESD Pin | Round |
| ✓ | Y97HT22A1EAFP | PTS645TL43-2 LFS | Silver | Thru hole | 1.3 +/-0.3 | 100,000 | 0.25 +0.1/-0.15 | 4.3mm | Straight with ESD Pin | Round |
| ✓ | Y97HT22A1FAFP | PTS645TL50-2 LFS | Silver | Thru hole | 1.3 +/-0.3 | 100,000 | 0.25 +0.1/-0.15 | 5.0mm | Straight with ESD Pin | Round |
| ✓ | Y97HT22A1GAFP | PTS645TL70-2 LFS | Silver | Thru hole | 1.3 +/-0.3 | 100,000 | 0.25 +0.1/-0.15 | 7.0mm | Straight with ESD Pin | Round |
| ✓ | Y97HT22A1KAFP | PTS645TL95-2 LFS | Silver | Thru hole | 1.3 +/-0.3 | 100,000 | 0.25 +0.1/-0.15 | 9.5mm | Straight with ESD Pin | Round |
| ✓ | Y97HT22A2EAFP | PTS645TM43-2 LFS | Silver | Thru hole | 1.6 +/-0.3 | 100,000 | 0.30 +0.1/-0.15 | 4.3mm | Straight with ESD Pin | Round |
| ✓ | Y97HT22A2FAFP | PTS645TM50-2 LFS | Silver | Thru hole | 1.6 +/-0.3 | 100,000 | 0.30 +0.1/-0.15 | 5.0mm | Straight with ESD Pin | Round |
| ✓ | Y97HT22A2GAFP | PTS645TM70-2 LFS | Silver | Thru hole | 1.6 +/-0.3 | 100,000 | 0.30 +0.1/-0.15 | 7.0mm | Straight with ESD Pin | Round |
| ✓ | Y97HT22A2KAFP | PTS645TM95-2 LFS | Silver | Thru hole | 1.6 +/-0.3 | 100,000 | 0.30 +0.1/-0.15 | 9.5mm | Straight with ESD Pin | Round |

Note: Supply status: ✓ : Available for ordering.



Liability Limitation

This datasheet does not provide enough information for applications that require a certain level of quality or safety such as automotive, medical systems, or safety equipment. Please contact customer service for the contractual specification package.

Disclaimer Notice - Information furnished is believed to be accurate and reliable. However, users should independently evaluate the suitability of and test each product selected for their own applications. Littelfuse products are not designed for, and may not be used in, all applications. Read complete Disclaimer Notice at <http://www.littelfuse.com/disclaimer-electronics>.

Looking for pricing, stock, or lifecycle information?

Click below to explore more details on WIN SOURCE:

-  [View PTS645SH70SMTR92 LFS on WIN SOURCE](#)
-  [C&K Components Information](#)

Optimize Your Supply Chain with WIN SOURCE Solutions

-  Global Sourcing Solution
-  Obsolete Management
-  Cost Control Management
-  Shortage Management
-  Alternative Solution
-  Excess Inventory Management