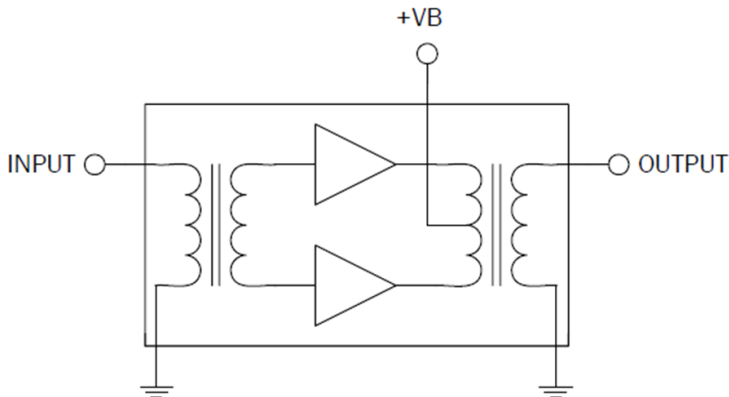


D10040200GT

GaAs Power Doubler Hybrid
40MHz to 1000MHz

The D10040200GT is a Hybrid Power Doubler amplifier module. The part employs GaAs die and is operated from 40MHz to 1000MHz. It provides excellent linearity and superior return loss performance with low noise and optimal reliability.



Package: SOT-115J

Features

- Excellent Linearity
- Superior Return Loss Performance
- Extremely Low Distortion
- Optimal Reliability
- Low Noise
- Unconditionally Stable Under All Terminations
- 20.0dB Min. Gain at 1GHz
- 375mA Max. at 24VDC

Applications

- 40MHz to 1000MHz CATV Amplifier Systems

Ordering Information

D10040200GT Box with 50 pieces

Absolute Maximum Ratings

| Parameter | Rating | Unit |
|-------------------------------------|-------------|------|
| RF Input Voltage (single tone) | 75 | dBmV |
| DC Supply Over-Voltage (5 minutes) | 30 | V |
| Storage Temperature | -40 to +100 | °C |
| Operating Mounting Base Temperature | -30 to +100 | °C |



Caution! ESD sensitive device.



RoHS (Restriction of Hazardous Substances): Compliant per EU Directive 2011/65/EU.

Exceeding any one or a combination of the Absolute Maximum Rating conditions may cause permanent damage to the device. Extended application of Absolute Maximum Rating conditions to the device may reduce device reliability. Specified typical performance or functional operation of the device under Absolute Maximum Rating conditions is not implied.

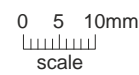
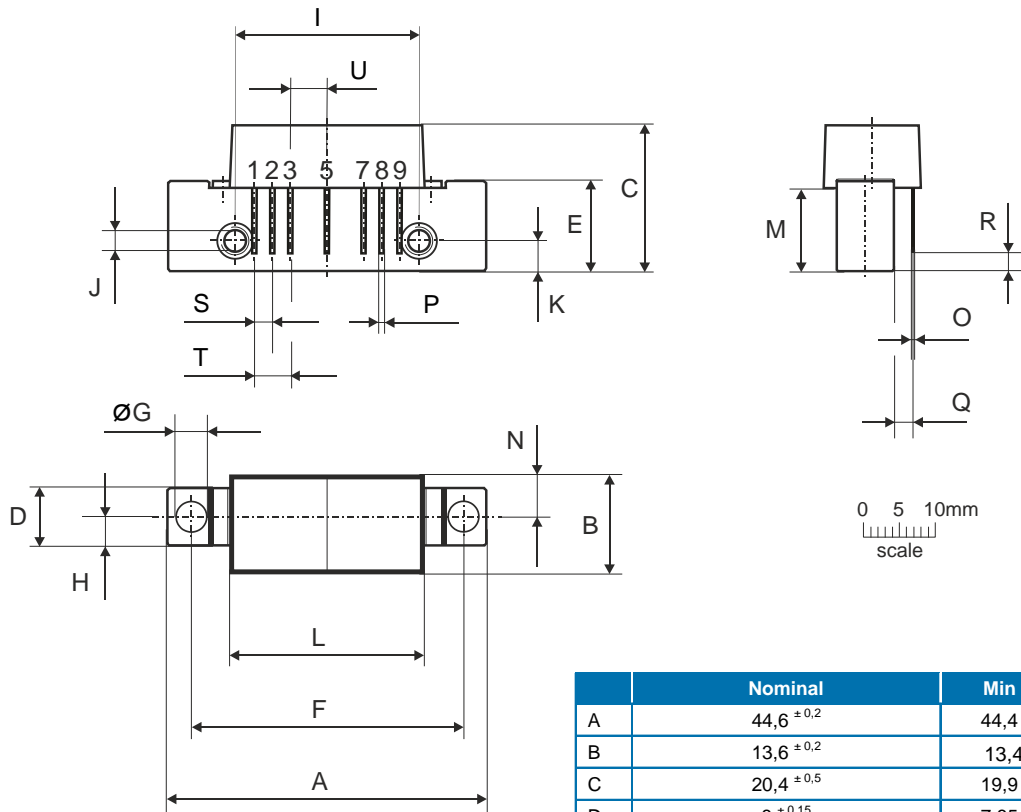
Nominal Operating Parameters

| Parameter | Specification | | | Unit | Condition |
|--|---------------|-------|-------|------|---|
| | Min | Typ | Max | | |
| General Performance | | | | | V+ = 24V; T_{MB} = 30°C; Z_S = Z_L = 75Ω |
| Power Gain | 19.5 | 20.0 | 20.5 | dB | f = 50MHz |
| | 20.0 | 21.5 | 22.0 | dB | f = 1000MHz |
| Slope ⁽¹⁾ | 1.0 | 1.5 | 2.0 | dB | f = 40MHz to 1000MHz |
| Flatness of Frequency Response | | | 0.8 | dB | f = 40MHz to 1000MHz (Peak to Valley) |
| Input Return Loss | 20.0 | | | dB | f = 40MHz to 320MHz |
| | 19.0 | | | dB | f = 320MHz to 640MHz |
| | 17.0 | | | dB | f = 640MHz to 870MHz |
| | 16.0 | | | dB | f = 870MHz to 1000MHz |
| Output Return Loss | 20.0 | | | dB | f = 40MHz to 320MHz |
| | 19.0 | | | dB | f = 320MHz to 640MHz |
| | 18.0 | | | dB | f = 640MHz to 870MHz |
| | 17.0 | | | dB | f = 870MHz to 1000MHz |
| Noise Figure | | 5.5 | 6.5 | dB | f = 50MHz to 1000MHz |
| Total Current Consumption (DC) | | 350.0 | 375.0 | mA | |
| Distortion Data 40MHz to 870MHz | | | | | V+ = 24V; T_{MB} = 30°C; Z_S = Z_L = 75Ω |
| CTB | | -64 | -62 | dBc | 132 ch flat; V _O = 44dBmV ⁽²⁾ |
| XMOD | | -60 | -58 | dBc | |
| CSO | | -65 | -63 | dBc | |

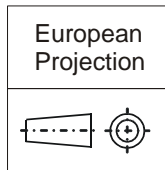
1. The slope is defined as the difference between the gain at the start frequency and the gain at the stop frequency.

2. 132 channels, NTSC frequency raster: 55.25MHz to 865.25MHz, +44dBmV flat output level. Composite Second Order (CSO) - The CSO parameter (both sum and difference products) is defined by the NCTA. Composite Triple Beat (CTB) - The CTB parameter is defined by the NCTA. Cross Modulation (XMOD) - Cross modulation (XMOD) is measured at baseband (selective voltmeter method), referenced to 100% modulation of the carrier being tested.

Package Drawing (Dimensions in millimeters)



Notes:



Pinning:

| Pin | Name |
|-----|--------|
| 1 | Input |
| 2-3 | GND |
| 4 | |
| 5 | +VB |
| 6 | |
| 7-8 | GND |
| 9 | Output |

| | Nominal | Min | Max |
|---|--------------|-------|-------|
| A | 44,6 ±0,2 | 44,4 | 44,8 |
| B | 13,6 ±0,2 | 13,4 | 13,8 |
| C | 20,4 ±0,5 | 19,9 | 20,9 |
| D | 8 ±0,15 | 7,85 | 8,15 |
| E | 12,6 ±0,15 | 12,45 | 12,75 |
| F | 38,1 ±0,2 | 37,9 | 38,3 |
| G | 4 +0,2/-0,05 | 3,95 | 4,2 |
| H | 4 ±0,2 | 3,8 | 4,2 |
| I | 25,4 ±0,2 | 25,2 | 25,6 |
| J | UNC 6-32 | - | - |
| K | 4,2 ±0,2 | 4,0 | 4,4 |
| L | 27,2 ±0,2 | 27,0 | 27,4 |
| M | 11,6 ±0,5 | 11,1 | 12,1 |
| N | 5,8 ±0,4 | 5,4 | 6,2 |
| O | 0,25 ±0,02 | 0,23 | 0,27 |
| P | 0,45 ±0,03 | 0,42 | 0,48 |
| Q | 2,54 ±0,3 | 2,24 | 2,84 |
| R | 2,54 ±0,5 | 2,04 | 3,04 |
| S | 2,54 ±0,25 | 2,29 | 2,79 |
| T | 5,08 ±0,25 | 4,83 | 5,33 |
| U | 5,08 ±0,25 | 4,83 | 5,33 |

Looking for pricing, stock, or lifecycle information?

Click below to explore more details on WIN SOURCE:

 [View D10040200GT on WIN SOURCE](#)

 [Qorvo US Inc. Information](#)

Optimize Your Supply Chain with WIN SOURCE Solutions

-  Global Sourcing Solution
-  Obsolete Management
-  Cost Control Management
-  Shortage Management
-  Alternative Solution
-  Excess Inventory Management