

Applications

- HFC Nodes
- CATV Line Amplifiers
- Head End Equipment

Product Features

- Excellent High Output Linearity
- High Gain 24 dB at 1000 MHz
- 50 – 1000 MHz Bandwidth
- Ultra-Low CSO/CTB/XMOD
- Low Noise
- Excellent Input/Output Match
- SOT-115J Packaging
- High Reliability
- +24 V, 445 mA

General Description

The TAT8888 is an ultra-linear, packaged GaAs/GaN amplifier intended for output stage amplification in CATV infrastructure applications.

The TAT8888 features a push-pull cascode design which provides flat gain along with ultra-low distortion, making it ideal for use in CATV distribution systems requiring high output power capability.

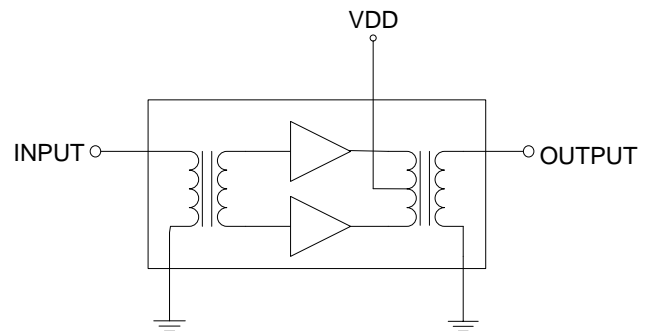
The TAT8888 draws 445 mA from a +24 V supply and exceeds the output linearity performance of traditional GaAs-based amplifiers.

The TAT8888 is packaged in an industry standard 7-pin SOT-115J module.



SOT-115 Hybrid Module

Functional Block Diagram



Pin Configuration

Pin No.	Label
1	RF Input 75 Ohm
2 – 3	GND
5	+24 V Supply
7 – 8	GND
9	RF Output 75 Ohm

Ordering Information

Part No.	Description
TAT8888	CATV GaN Power Doubler Hybrid
TAT8888S1	CATV GaN Power Doubler Hybrid (sample)

Absolute Maximum Ratings

Parameter	Rating
Storage Temperature	-40 to +100 °C
RF Input Power, CW, 75 Ω, T=+25 °C	+70 dBmV
Supply Voltage (V _{DD})	+30 V
Supply Current (I _{DD})	600 mA

Operation of this device outside the parameter ranges given above may cause permanent damage.

Recommended Operating Conditions

Parameter	Min	Typ	Max	Units
Supply Voltage (V _{DD})		24		V
Case Temperature	-30		+100	°C
T _j for >10 ⁶ hours MTTF			160	°C

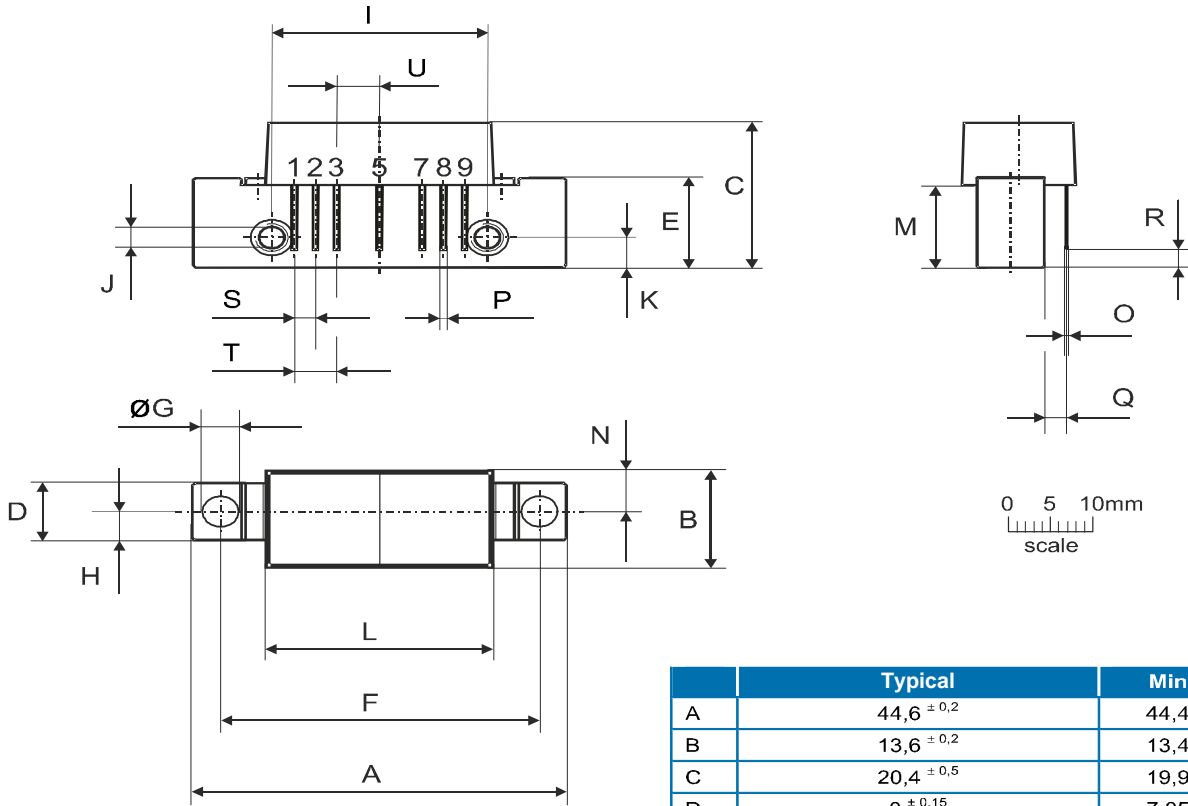
Electrical specifications are measured at specified test conditions. Specifications are not guaranteed over all recommended operating conditions.

Typical Performance

Test conditions unless otherwise noted: V_{DD}=+24 V, 75 Ω System, Base Temp.=+35 °C.

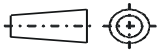
Parameter	Conditions	Min	Typ	Max	Units
Operating Frequency		50		1000	MHz
Gain	f = 1000 MHz	23		24.5	dB
Gain Slope	50 to 1000 MHz	0.25		1.5	dB
Gain Flatness	Relative to Slope Line		±0.5	±0.8	dB
Input Return Loss	50 MHz to <550 MHz	18			dB
	>550 MHz to 1000 MHz	16			dB
Output Return Loss	50 MHz to 1000 MHz	18			dB
CSO	79 channels NTSC 75 channels QAM, -6 dB offset, +61 dBmV virtual output, 18 dB Tilt		-69	-65	dBc
CTB			-75	-69	dBc
XMOD			-65		dBc
CCN		55	58		dB
Output IP3	P _{out} = +19 dBm/tone, at 500 MHz Δf = 6 MHz		+53		dBm
Noise Figure			3.5		dB
Supply Current, I _{DD}			445	460	mA
Thermal Resistance, θ _{jc}	Junction to case		5		°C/W

Mechanical Specifications



Notes:

European Projection



Pinning:

Pin	Name
1	Input
2-3	GND
4	
5	VDD
6	
7-8	GND
9	Output

	Typical	Min	Max
A	44,6 ± 0,2	44,4	44,8
B	13,6 ± 0,2	13,4	13,8
C	20,4 ± 0,5	19,9	20,9
D	8 ± 0,15	7,85	8,15
E	12,6 ± 0,15	12,45	12,75
F	38,1 ± 0,2	37,9	38,3
G	4 ^{+0,2 / -0,05}	3,95	4,2
H	4 ± 0,2	3,8	4,2
I	25,4 ± 0,2	25,2	25,6
J	UNC 6-32	-	-
K	4,2 ± 0,2	4,0	4,4
L	27,2 ± 0,2	27,0	27,4
M	11,6 ± 0,5	11,1	12,1
N	5,8 ± 0,4	5,4	6,2
O	0,25 ± 0,02	0,23	0,27
P	0,45 ± 0,03	0,42	0,48
Q	2,54 ± 0,3	2,24	2,84
R	2,54 ± 0,5	2,04	3,04
S	2,54 ± 0,25	2,29	2,79
T	5,08 ± 0,25	4,83	5,33
U	5,08 ± 0,25	4,83	5,33

Contact Information

For the latest specifications, additional product information, worldwide sales and distribution locations:

Web: www.triquint.com

Tel: 877-800-8584

Email: customer.support@qorvo.com

For information about the merger of RFMD and TriQuint as Qorvo:

Web: www.qorvo.com

For technical questions and application information:

Email: sicapplications.engineering@qorvo.com


Important Notice

The information contained herein is believed to be reliable. TriQuint makes no warranties regarding the information contained herein. TriQuint assumes no responsibility or liability whatsoever for any of the information contained herein. TriQuint assumes no responsibility or liability whatsoever for the use of the information contained herein. The information contained herein is provided "AS IS, WHERE IS" and with all faults, and the entire risk associated with such information is entirely with the user. All information contained herein is subject to change without notice. Customers should obtain and verify the latest relevant information before placing orders for TriQuint products. The information contained herein or any use of such information does not grant, explicitly or implicitly, to any party any patent rights, licenses, or any other intellectual property rights, whether with regard to such information itself or anything described by such information.

TriQuint products are not warranted or authorized for use as critical components in medical, life-saving, or life-sustaining applications, or other applications where a failure would reasonably be expected to cause severe personal injury or death.

Looking for pricing, stock, or lifecycle information?

Click below to explore more details on WIN SOURCE:

 [View TAT8888 on WIN SOURCE](#)

 [Qorvo US Inc. Information](#)

Optimize Your Supply Chain with WIN SOURCE Solutions

-  Global Sourcing Solution
-  Obsolete Management
-  Cost Control Management
-  Shortage Management
-  Alternative Solution
-  Excess Inventory Management